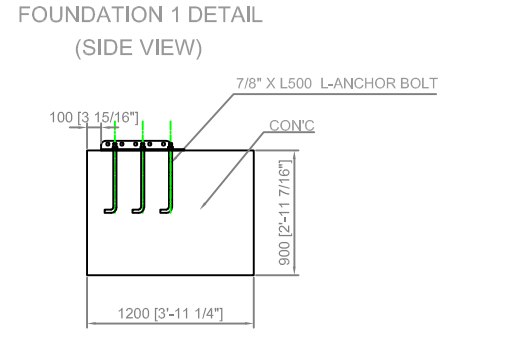
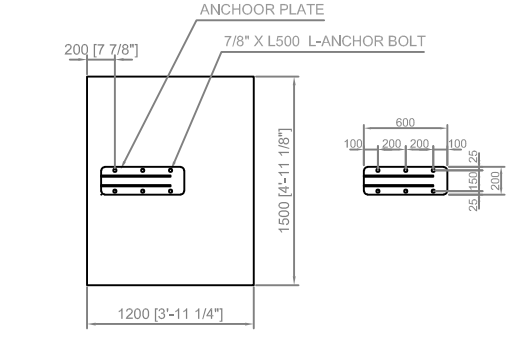
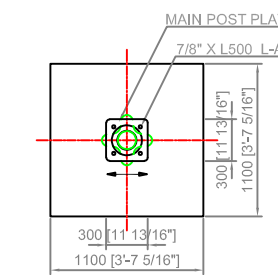


RevNo	Revision note	Date	Signature	Checked

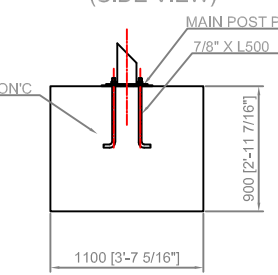
2010 rev1.0-post plate is changed to star shape
 FOUNDATION 1 DETAIL (PLAN)



FOUNDATION 2 DETAIL (PLAN)



FOUNDATION 2 DETAIL (SIDE VIEW)

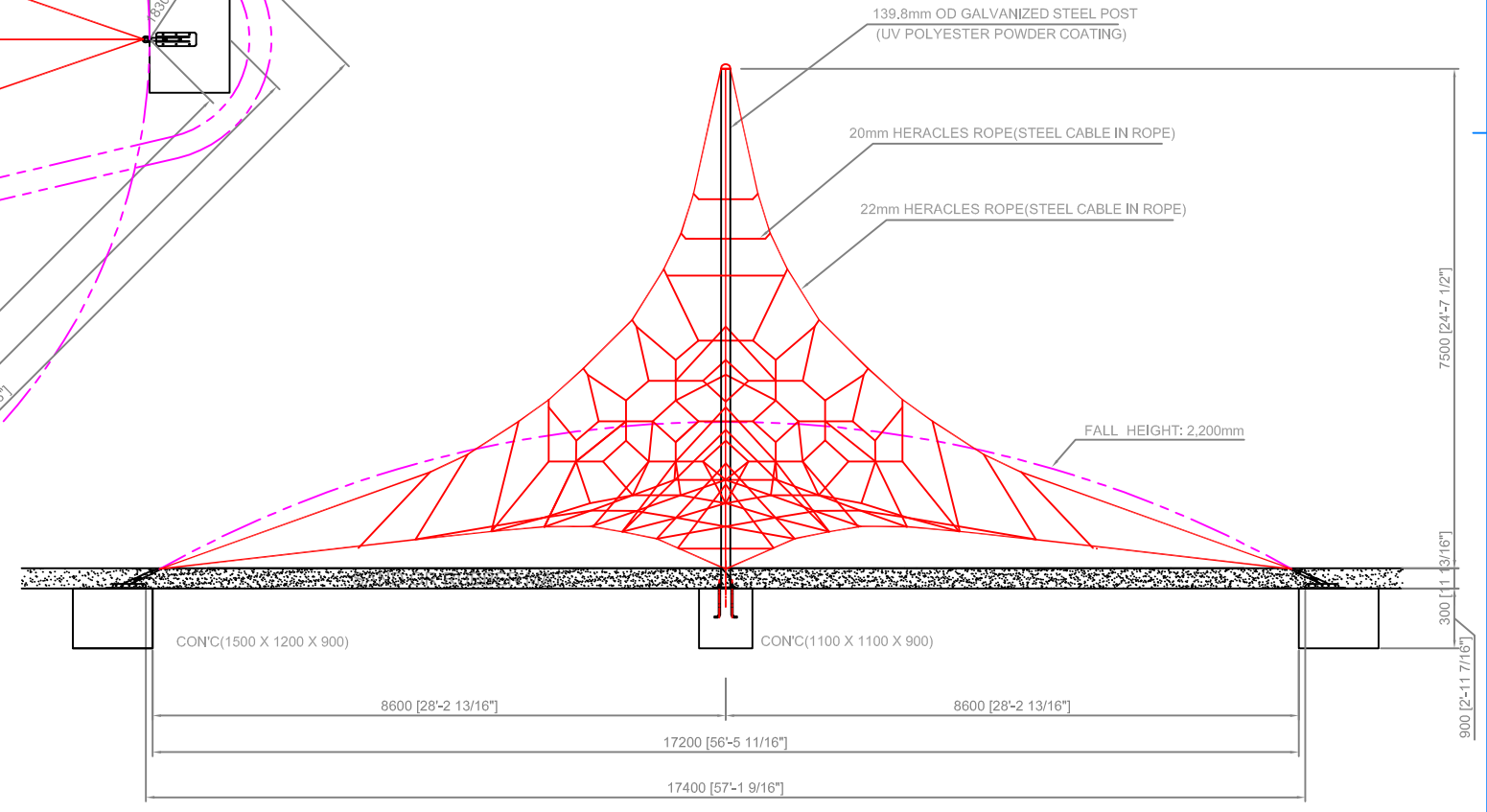


139.8mm OD GALVANIZED STEEL POST (UV POLYESTER POWDER COATING)

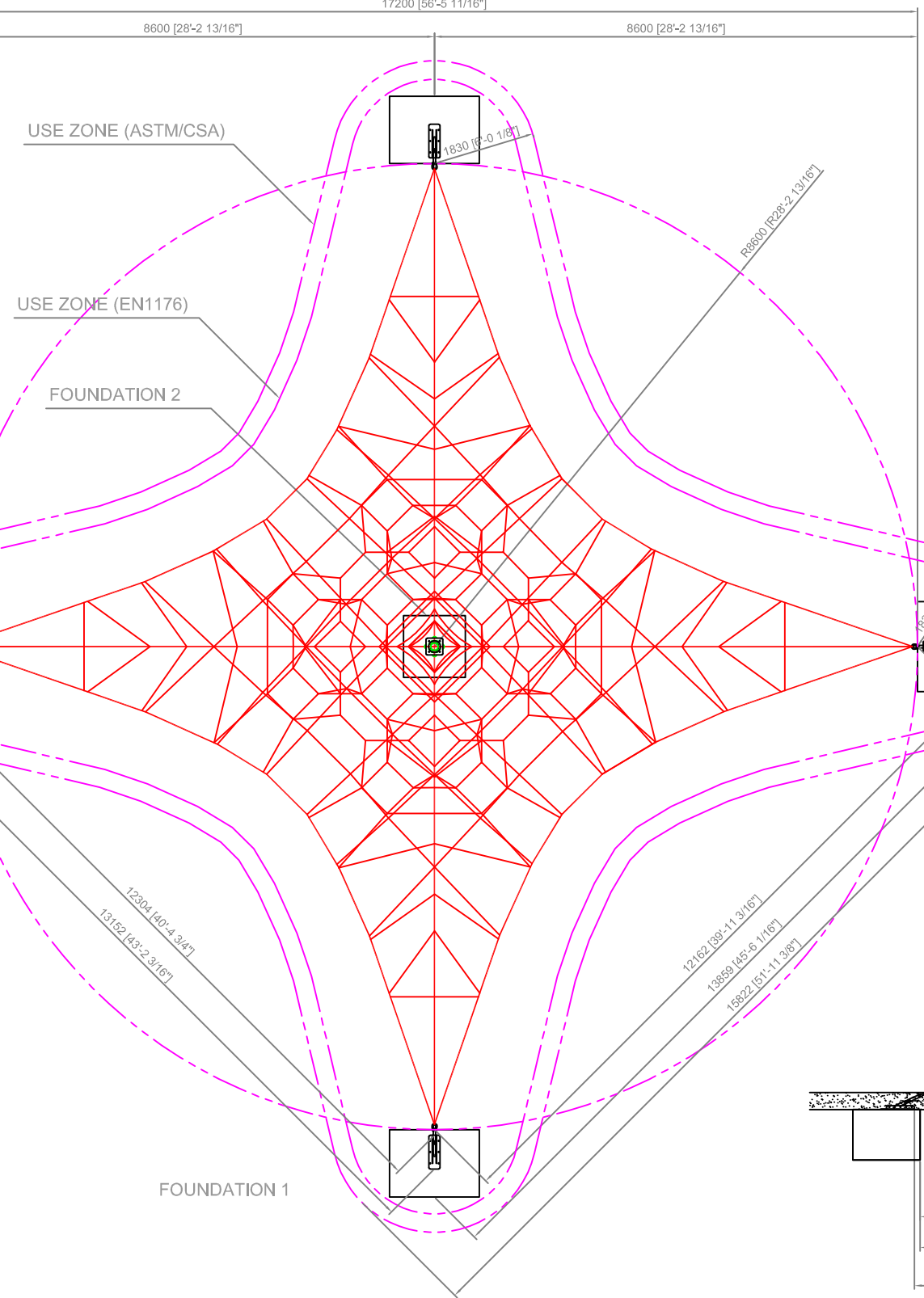
20mm HERACLES ROPE(STEEL CABLE IN ROPE)

22mm HERACLES ROPE(STEEL CABLE IN ROPE)

FALL HEIGHT: 2.200mm



FRONT VIEW SCALE 1/50



LAYOUT DRAWING SCALE 1/50

Itemref	Quantity	Title/Name, designation, material, dimension etc	Article No./Reference
Designed by XXX	Checked by XXX	Approved by - date XXX - 09/05/01	Filename DX-103.dwg
<p>DYNAMO PLAYGROUNDS www.dynamoplaygrounds.com</p>			<p>GENESIS LARGE</p>
<p>Article No./Reference: DX-103</p>			<p>Scale: 1:50</p>
<p>Edition: 0</p>			<p>Sheet: 1/1</p>