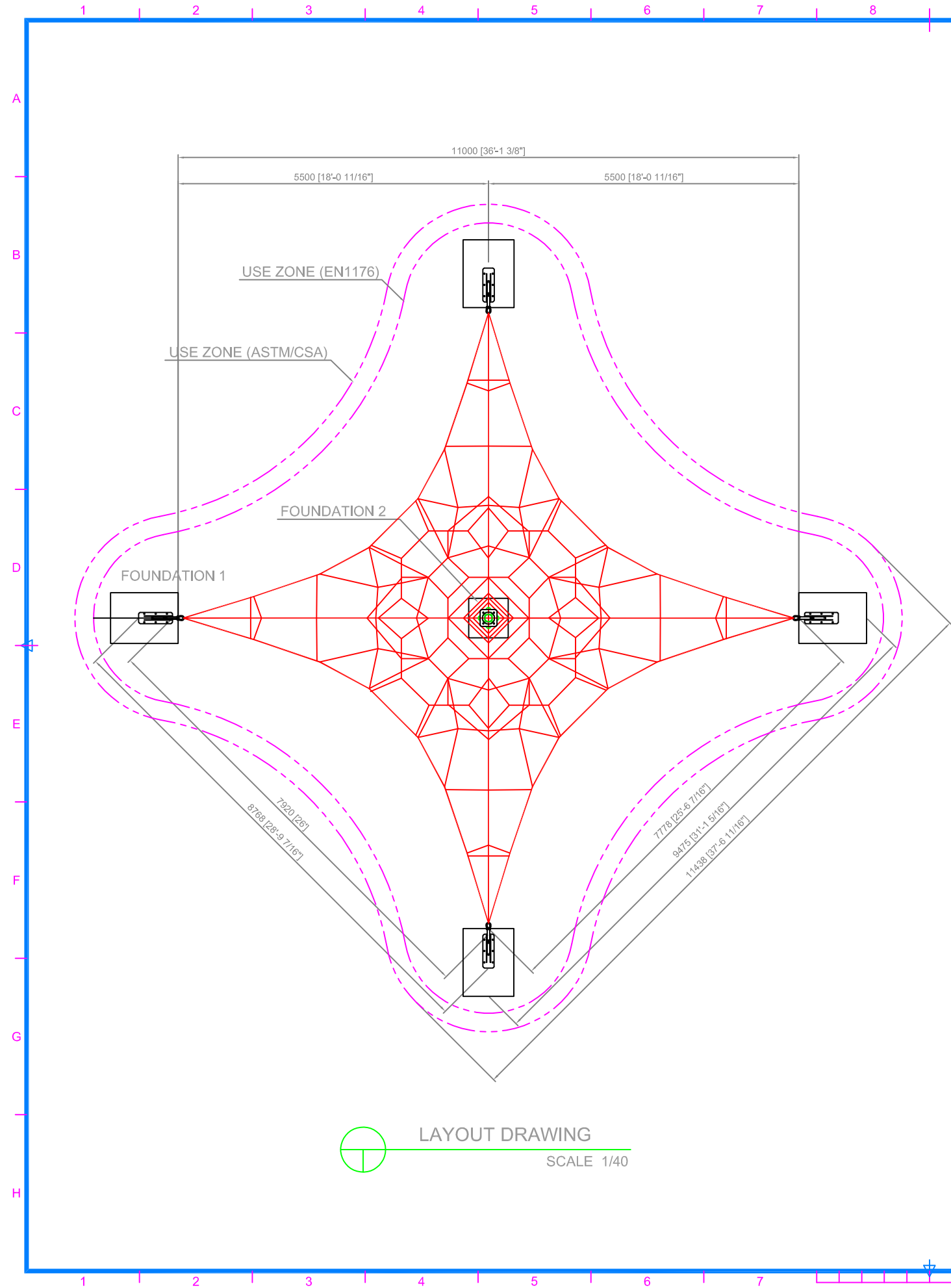
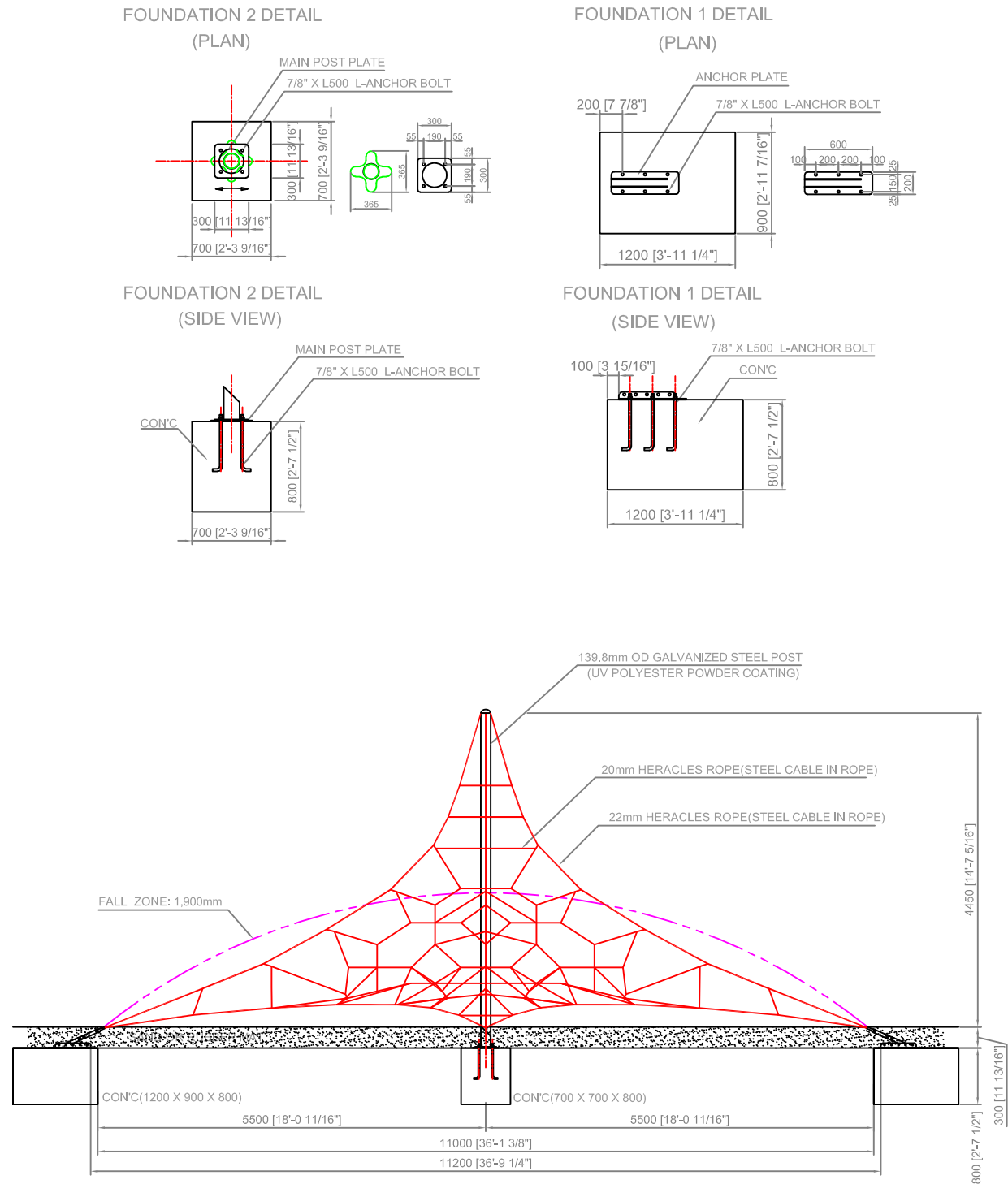


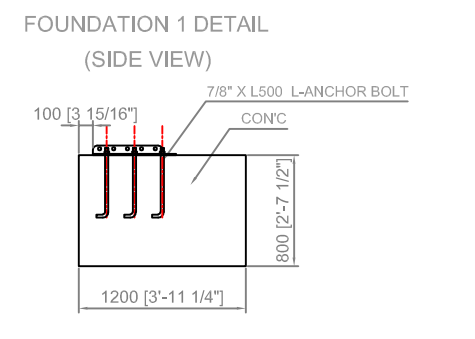
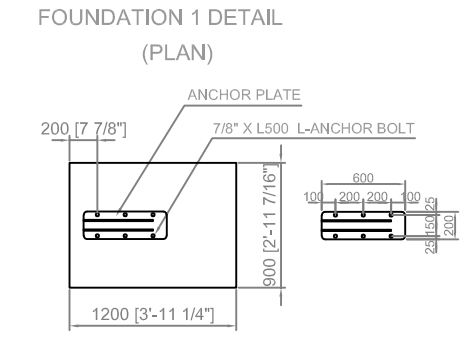
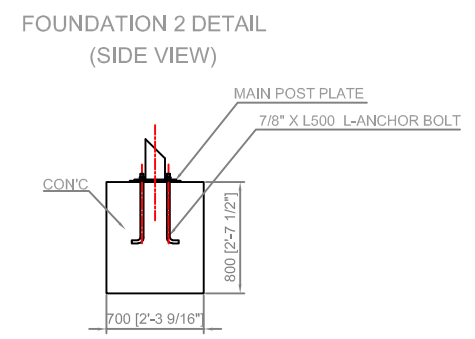
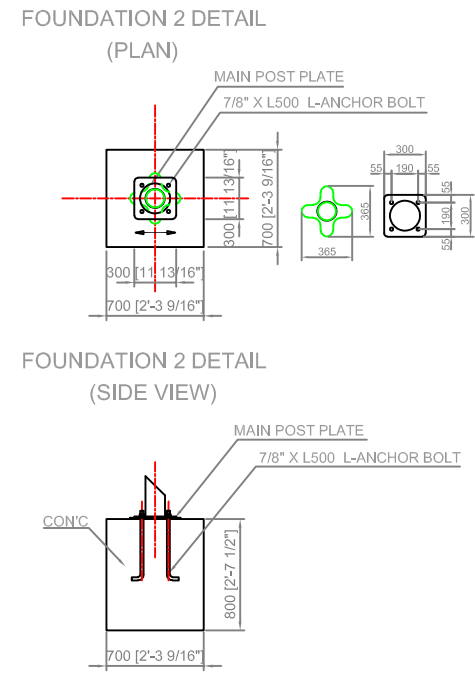
RevNo	Revision note	Date	Signature	Checked
20100114	rev1.0-post plate is changed to star shape			



LAYOUT DRAWING  
SCALE 1/40



FRONT VIEW  
SCALE 1/40



Itemref	Quantity	Title/Name, designation, material, dimension etc	Article No./Reference
Designed by XXX	Checked by XXX	Approved by - date XXX - 09/05/01	Filename DX-102-1.dwg
Date 09/05/01			Scale 1:40
Edition 0			Sheet 1/1



GENESIS MAXI

DX-102-1

1-2-1