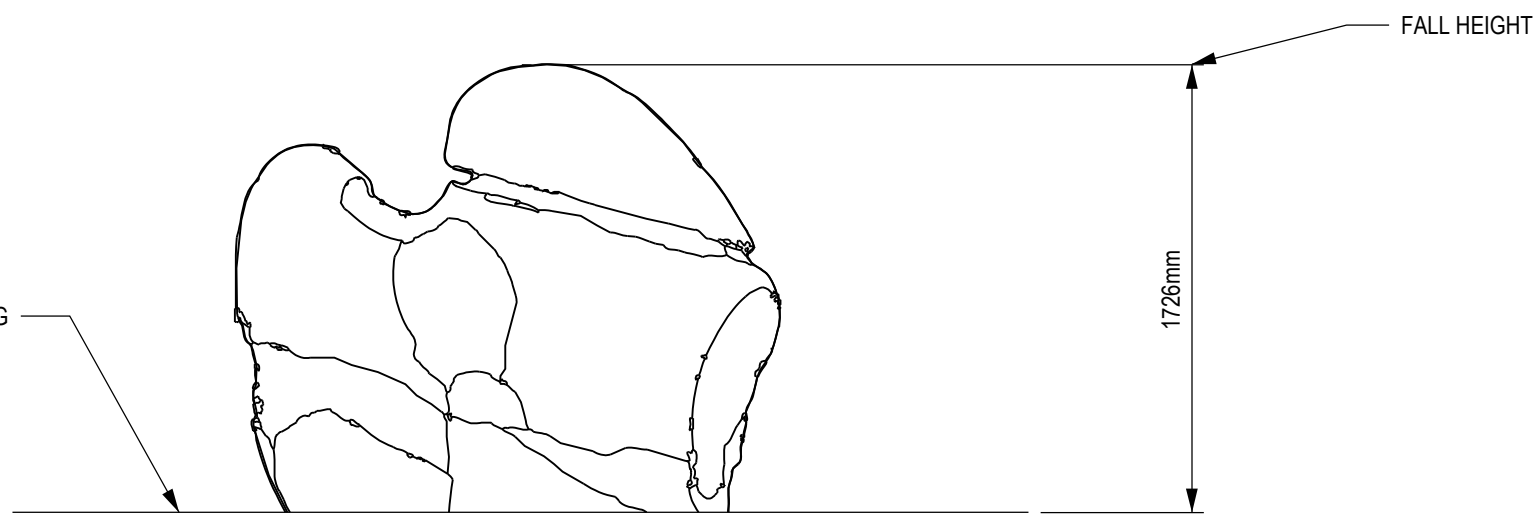


1
-
EN USE ZONE PLAN VIEW



TOP OF PROTECTIVE SURFACING
(FINISHED GRADE)

2
-
ELEVATION VIEW

DOCUMENT No: 200-001-570

REVISION HISTORY					
REV	DESCRIPTION	REF. No.	DATE	DRWN BY:	CHK BY:
0	Initial Release.		2021-09-29	SA	JC

ENGINEERING SEAL:

CLIENT: STOCK

PROJECT NAME: STOCK

PRODUCT NO: NP-SC030

DRAWING TITLE:
**KINESIS CLIMBER
EN USE ZONE**

REV:	SHEET:	SHEET SIZE:	SCALE:
0	1 OF 1	PA3	NTS

DESIGNED BY: DATE:

DRAWN BY: S.ALKATHERI DATE: 2021-09-29

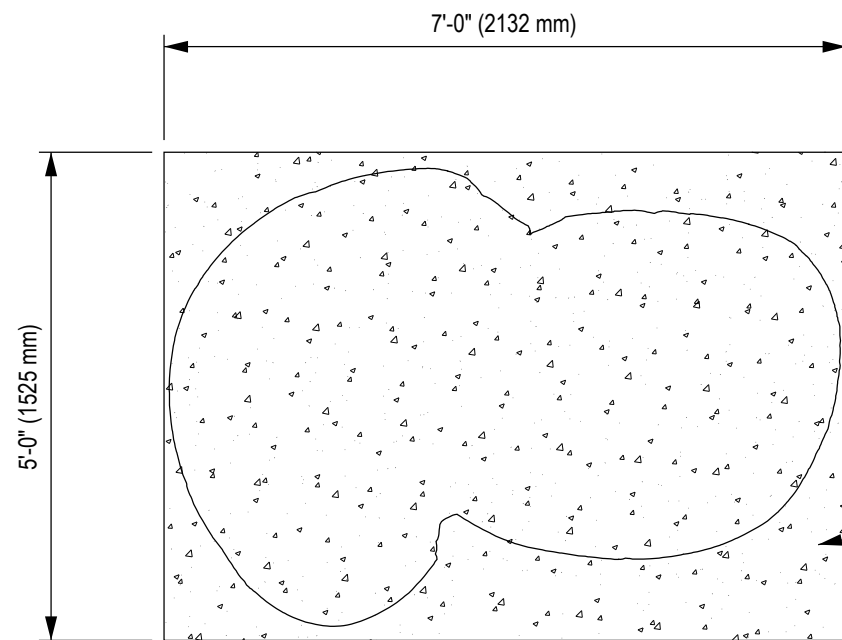
CHECKED BY: J.CHEN DATE: 2021-10-06

REVIEWED BY: DATE:

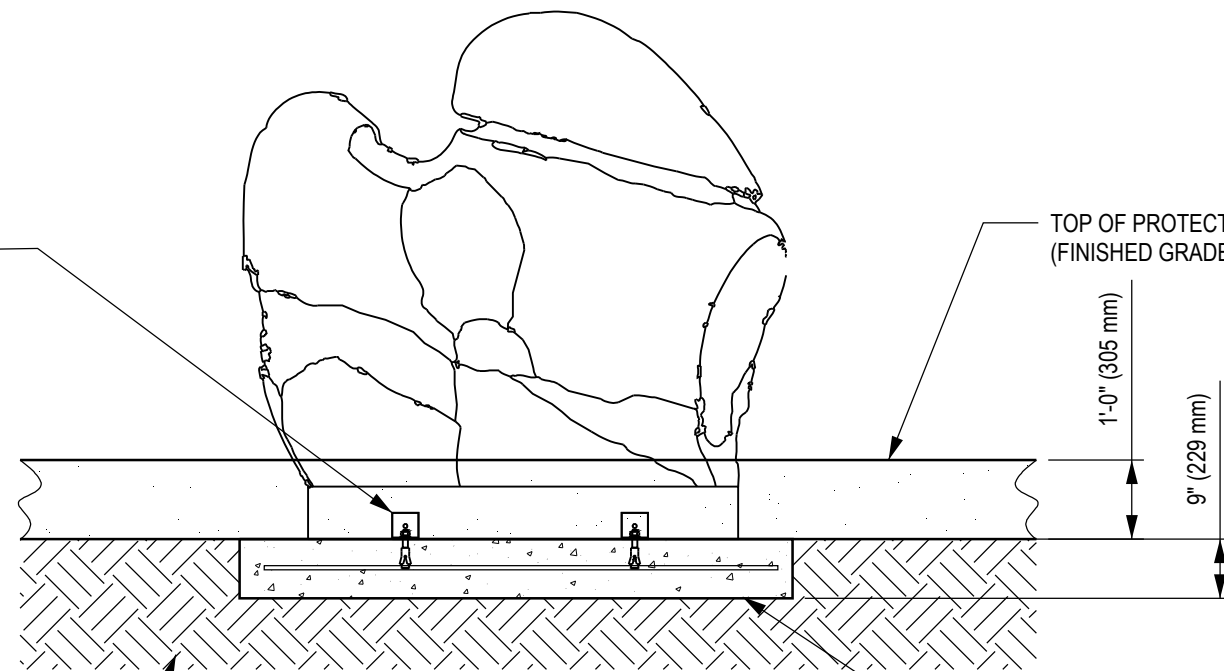
APPROVED BY: DATE:



Local: 613-446-0030
Toll free: 800-790-0034
Email: info@dynamoplaygrounds.com
Fax: 613-446-0034
URL: www.dynamoplaygrounds.com



1 FOUNDATION PLAN VIEW



2 FOUNDATION ELEVATION VIEW

GENERAL NOTES:

1. THE FOUNDATION IN THE DRAWING TO BE USED AS A MINIMUM GUIDELINE. CHECK WITH LOCAL ENGINEERS
2. BACKFILLING FOR FOUNDATION SHALL BE PLACED EVENLY IN 6" (150mm) LAYERS. LAYERS SHALL BE WELL COMPACTED.

DOCUMENT No: 200-001-566

REVISION HISTORY					
REV	DESCRIPTION	REF. No.	DATE	DRWN BY:	CHK BY:
0	Initial Release.		2021-06-08	SA	JC

ENGINEERING SEAL:

CLIENT: STOCK

PROJECT NAME: STOCK

PRODUCT NO: NP-SC030

DRAWING TITLE:
**KINESIS CLIMBER
FOUNDATION DRAWING**

REV:	SHEET:	SHEET SIZE:	SCALE:
0	1 OF 1	PA3	NTS

DESIGNED BY: DATE:

DRAWN BY: S.ALKATHERI DATE: 2021-09-29

CHECKED BY: J.CHEN DATE: 2021-10-06

REVIEWED BY: DATE:

APPROVED BY: DATE:

DYNAMO
PLAYGROUNDS

Local: 613-446-0030
Toll free: 800-790-0034
Email: info@dynamoplaygrounds.com
Fax: 613-446-0034
URL: www.dynamoplaygrounds.com