

DOCUMENT No: 200-001-534

REVISION HISTORY					
REV	DESCRIPTION	REF. No.	DATE	DRWN BY:	CHK BY:
0	Initial Release	WO# 1212	2021-08-05	SA	JC

ENGINEERING SEAL:

CLIENT: STOCK

PROJECT NAME: STOCK

PRODUCT NO: DX-SM03

DRAWING TITLE:
**SM ATOM NET LARGE
CSA USE ZONE**

REV:	SHEET:	SHEET SIZE:	SCALE:
0	1 OF 1	PA3	NTS

DESIGNED BY: S.ALKATHERI DATE: 2021-08-05

DRAWN BY: S.ALKATHERI DATE: 2021-08-05

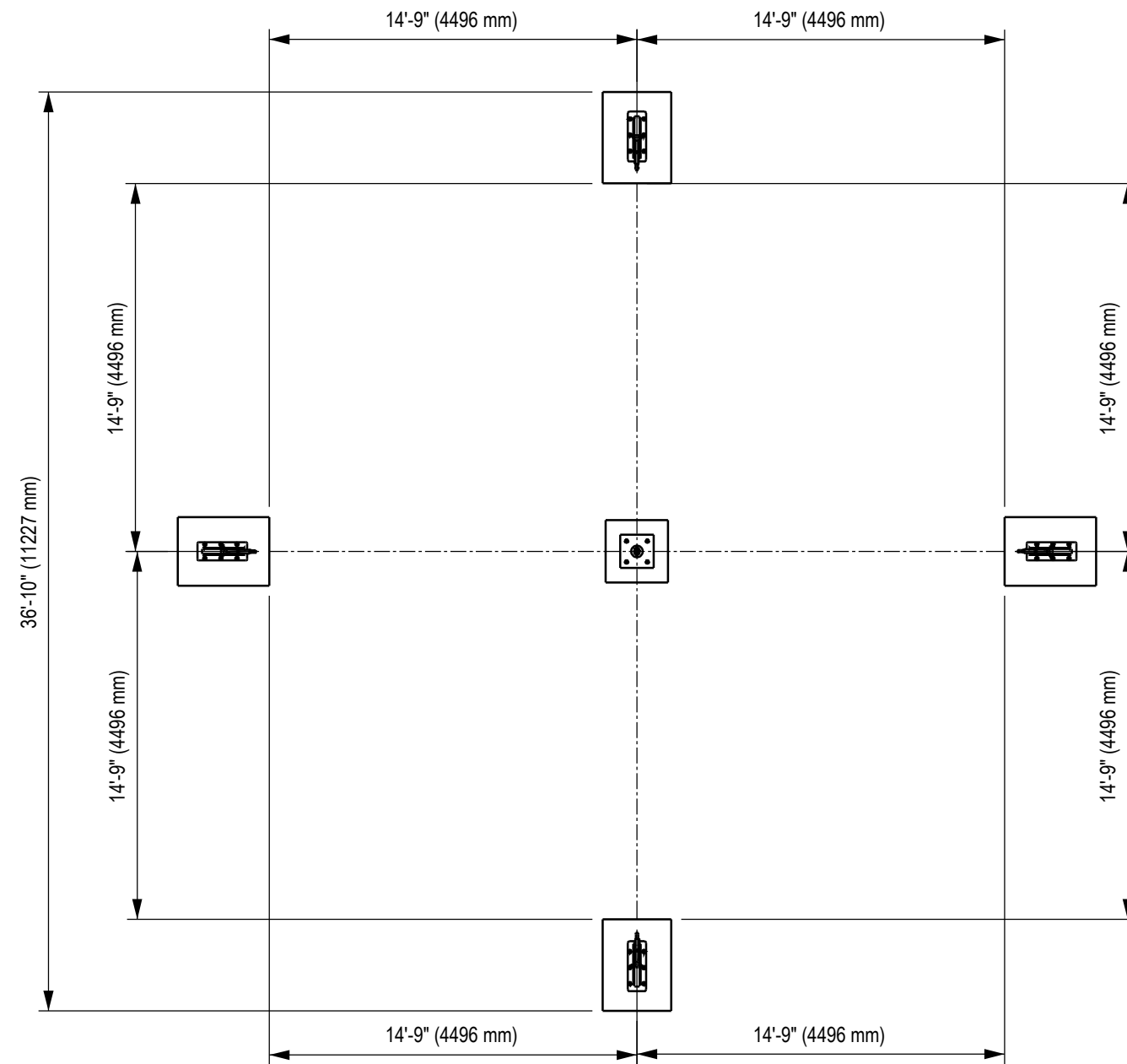
CHECKED BY: JC DATE: 2021-08-06

REVIEWED BY: DATE:

APPROVED BY: DATE:

DYNAMO
PLAYGROUNDS

Local: 613-446-0030
Toll free: 800-790-0034
Email: info@dynamoplaygrounds.com
Fax: 613-446-0034
URL: www.dynamoplaygrounds.com



GENERAL NOTES:

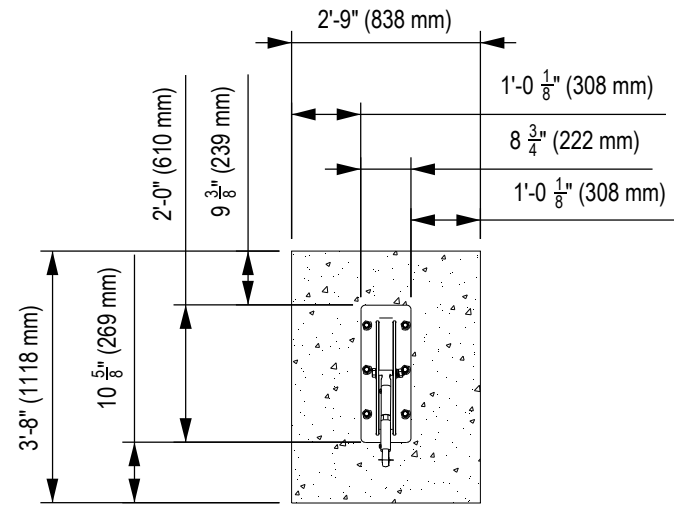
1. THE FOUNDATION IN THE DRAWING TO BE USED AS A MINIMUM GUIDELINE. CHECK WITH LOCAL ENGINEERS TO ENSURE MINIMUM REINFORCEMENT TO BE APPLIED.
2. THE CONCRETE SHALL BE GRADE C25 (CHARACTERISTIC STRENGTH OF 3500 PSI AT 28 DAYS) MINIMUM.
3. THE FOUNDATION SHALL BE PLACED ON FIRM, UNDISTURBED SOIL SURFACE. WHEREVER EXCAVATION OCCURS BELOW THE DESIGNED FOUNDATION LEVEL, WELL COMPACTED BACK FILL OR LEAN CONCRETE SHALL BE USED FOR LEVELING.
4. BACKFILLING FOR FOUNDATION SHALL BE PLACED EVENLY IN 6" (150mm) LAYERS. LAYERS SHALL BE WELL COMPACTED.
5. THE FOUNDATION DESIGN IS SUITABLE FOR SOIL WITH A BEARING CAPACITY OF 1600 PSF (80 KPA) AND ABOVE.
6. THE FOUNDATION DESIGN IS SUITABLE FOR SOIL WITH FROST LINE OF 4' (1200 MM) OR LESS.

DOCUMENT No:		200-000-447			
REVISION HISTORY					
REV	DESCRIPTION	REF. No.	DATE	DRWN BY:	CHK BY:
0	Initial Release	-	2018-10-11	JZ	-
1	Updated To The New template	W0# 1212	2021-08-06	SA	JC
ENGINEERING SEAL:					
CLIENT:		STOCK			
PROJECT NAME:		STOCK			
PRODUCT NO:		DX-SM03			
DRAWING TITLE:					
SM ATOM NET LARGE					
REV:	SHEET:	SHEET SIZE:	SCALE:		
1	1 OF 2	PA3	NTS		
DESIGNED BY:		JZ	DATE:		2018-10-11
DRAWN BY:		JZ	DATE:		2018-10-11
CHECKED BY:		JC	DATE:		2021-08-06
REVIEWED BY:			DATE:		
APPROVED BY:			DATE:		

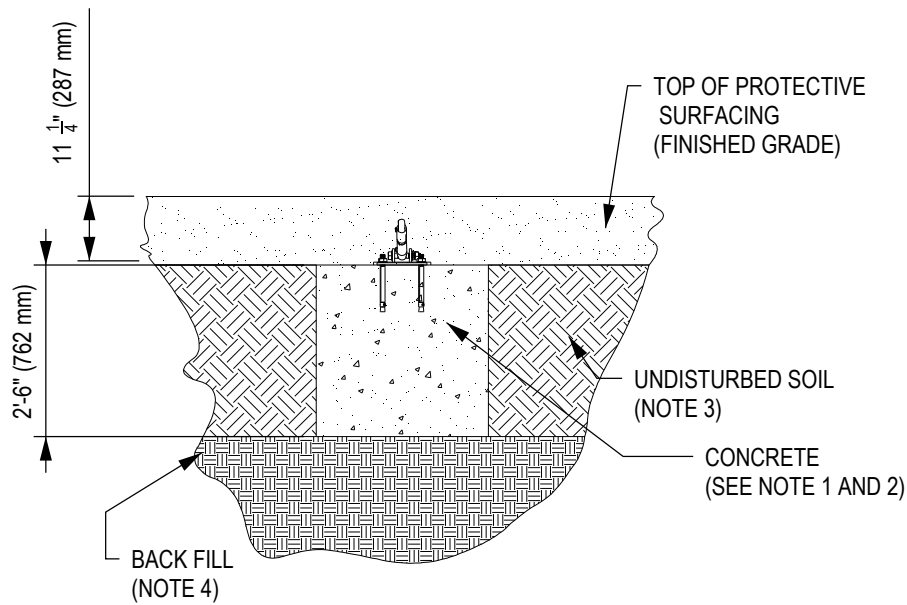
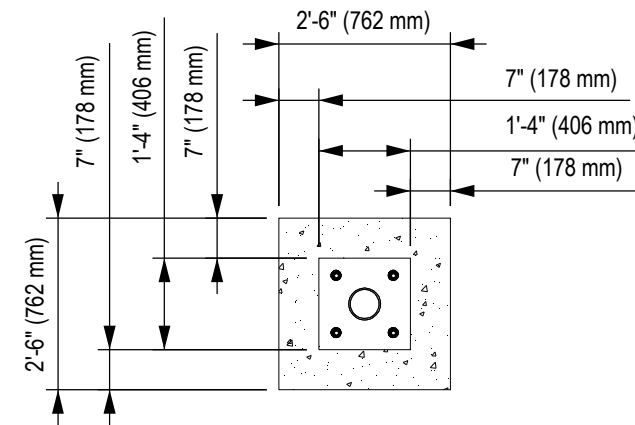
DYNAMO
PLAYGROUNDS



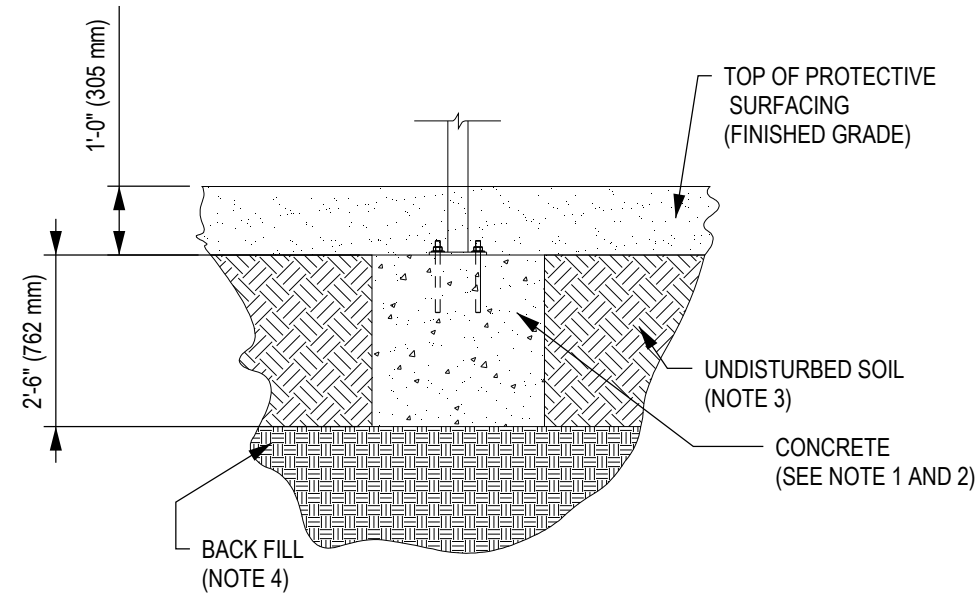
Local: 613-446-0030
Toll free: 800-790-0034
Email: info@dynamoplaygrounds.com
Fax: 613-446-0034
URL: www.dynamoplaygrounds.com



2 FT-1 DETAIL PLAN VIEW



3 FT-1 DETAIL ELEVATION VIEW



ENGINEERING SEAL:

CLIENT: STOCK
 PROJECT NAME: STOCK
 PRODUCT NO: DX-SM03

DRAWING TITLE:
SM ATOM NET LARGE

REV:	SHEET:	SHEET SIZE:	SCALE:
1	2 OF 2	PA3	NTS
DESIGNED BY:	JZ	DATE:	2018-10-11
DRAWN BY:	JZ	DATE:	2018-10-11
CHECKED BY:	JC	DATE:	2021-08-06
REVIEWED BY:		DATE:	
APPROVED BY:		DATE:	

DYNAMO
 PLAYGROUNDS

Local: 613-446-0030
 Toll free: 800-790-0034
 Email: info@dynamoplaygrounds.com
 Fax: 613-446-0034
 URL: www.dynamoplaygrounds.com