

REVISION HISTORY					
REV	DESCRIPTION	REF. No.	DATE	DRWN BY:	RWD BY:
0	Initial Release	WO# 527	2020-05-11	WM	
1	UPDATED DIMENSION STYLE	WO# 1785	2022-04-16	SA	JC

ENGINEERING SEAL:

CLIENT: STOCK
 PROJECT NAME: STOCK
 PRODUCT NO: DX-814

DRAWING TITLE:
BEEHIVE WITH PLANAR NETS ASTM USE ZONE DRAWING

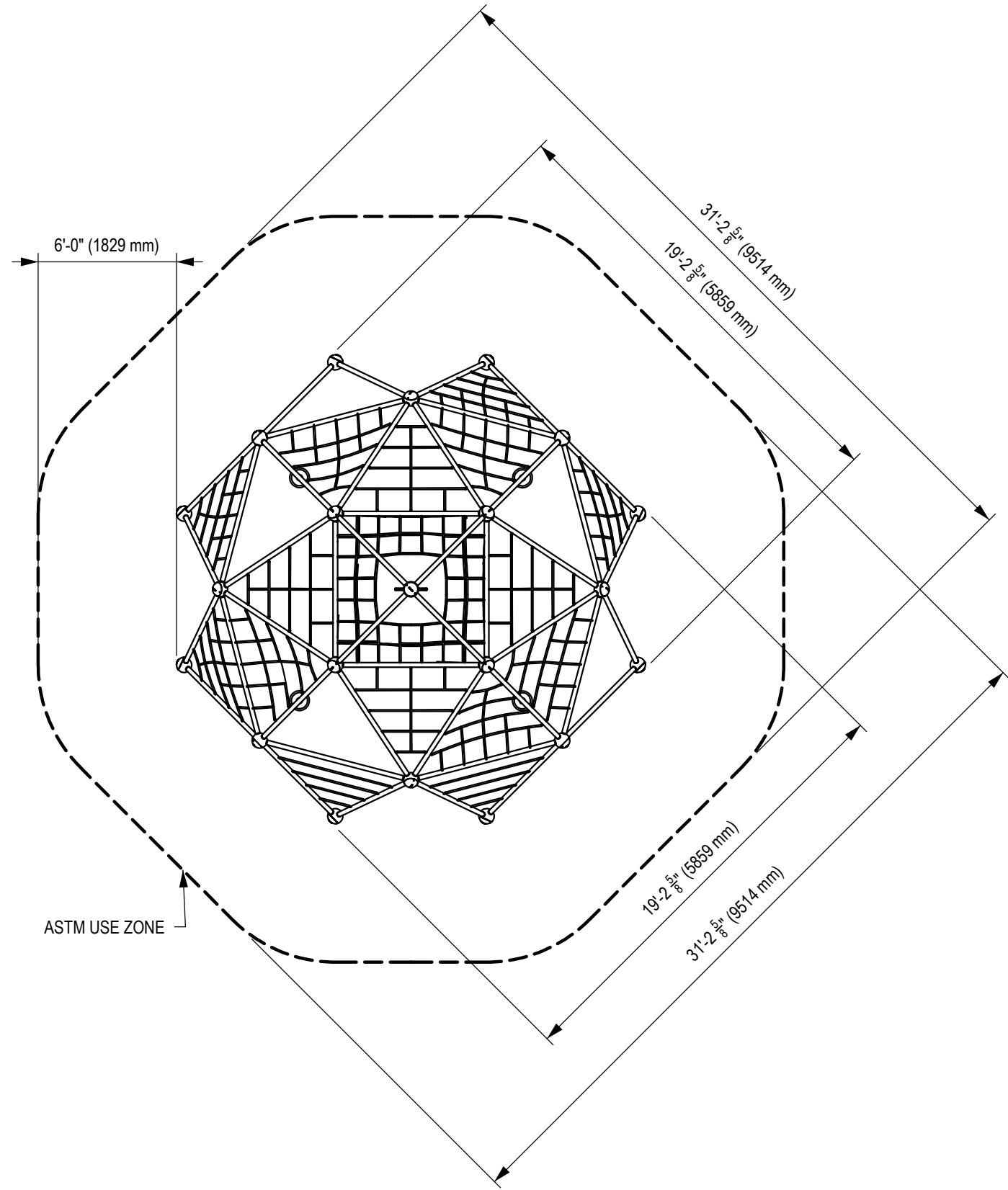
REV: 0	SHEET: 1 OF 1	SHEET SIZE: PA3	SCALE: NTS
--------	---------------	-----------------	------------

DESIGNED BY:	DATE:
DRAWN BY: W. MCNAIR	DATE: 2020-05-11
CHECKED BY: J.CHEN	DATE: 2022-04-19
REVIEWED BY:	DATE:
APPROVED BY:	DATE:

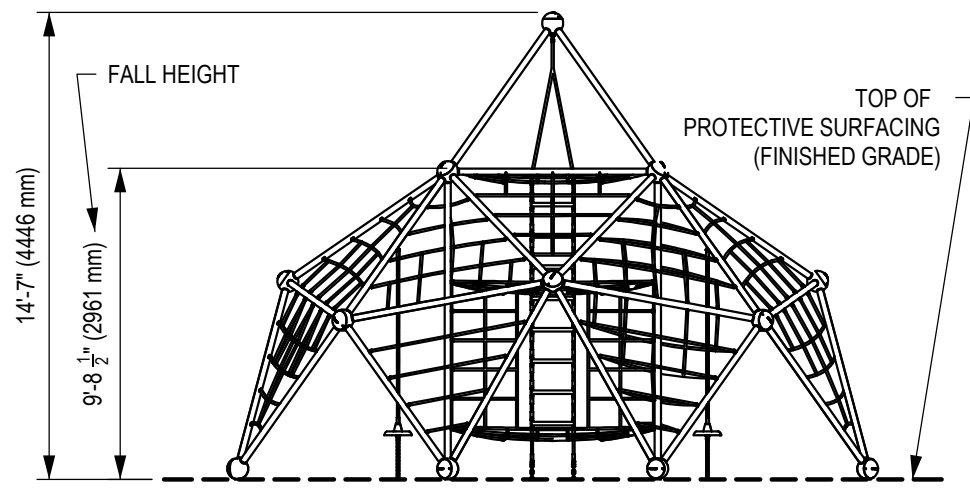
DYNAMO
PLAYGROUNDS



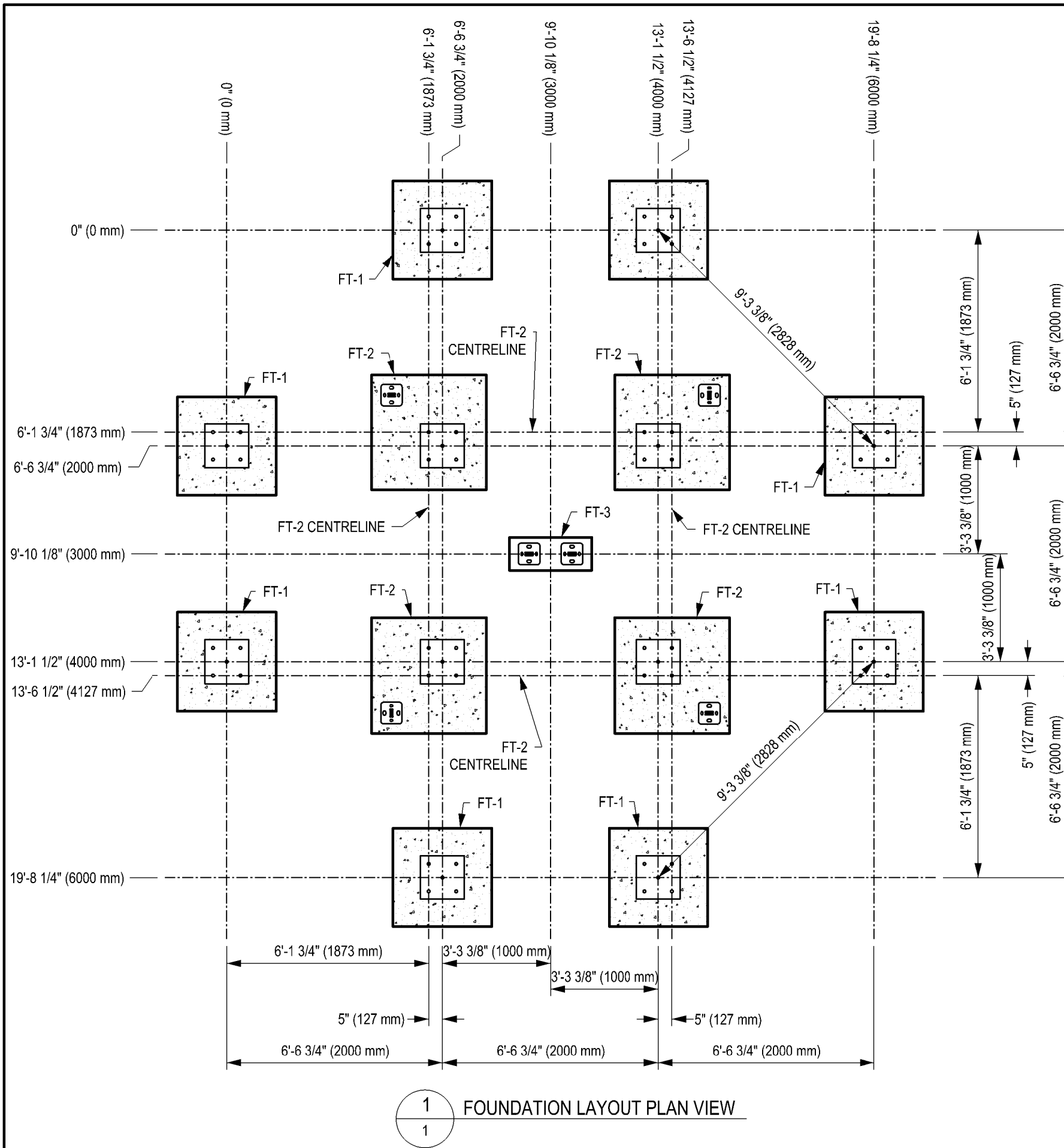
Local: 613-446-0030
 Toll free: 800-790-0034
 Email: info@dynamoplaygrounds.com
 Fax: 613-446-0034
 URL: www.dynamoplaygrounds.com



1 ASTM USE ZONE PLAN VIEW




2 ELEVATION VIEW



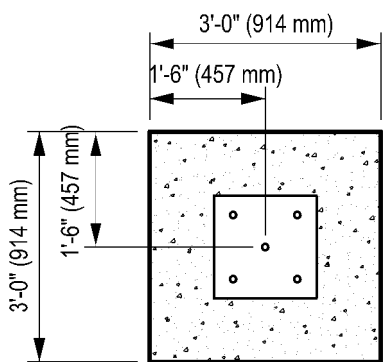
1 FOUNDATION LAYOUT PLAN VIEW

GENERAL NOTES:

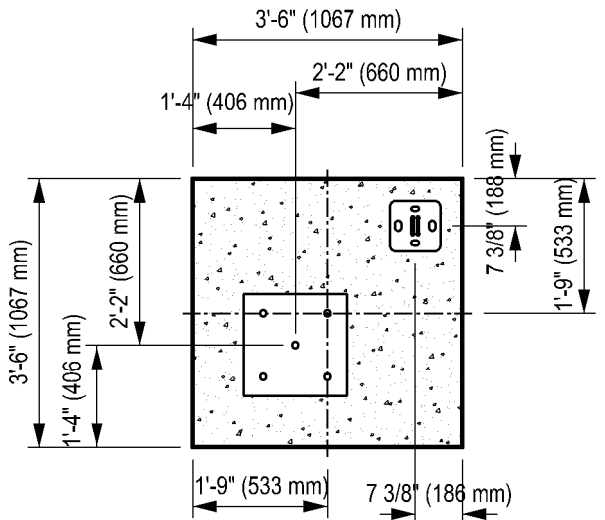
1. THE FOUNDATION IN THE DRAWING TO BE USED AS A MINIMUM GUIDELINE. CHECK WITH LOCAL ENGINEERS
2. THE CONCRETE SHALL BE GRADE C25 (CHARACTERISTIC STRENGTH OF 3500 PSI AT 28 DAYS) MINIMUM.
3. THE FOUNDATION SHALL BE PLACED ON FIRM, UNDISTURBED SOIL SURFACE. WHEREVER EXCAVATION OCCURS BELOW THE DESIGNED FOUNDATION LEVEL, WELL COMPACTED BACK FILL OR LEAN CONCRETE SHALL BE USED FOR LEVELING.
4. BACKFILLING FOR FOUNDATION SHALL BE PLACED EVENLY IN 6" (150mm) LAYERS. LAYERS SHALL BE WELL COMPACTED.
5. THE FOUNDATION DESIGN IS SUITABLE FOR SOIL WITH A BEARING CAPACITY OF 1600 PSF (80 KPA) AND ABOVE.
6. THE FOUNDATION DESIGN IS SUITABLE FOR SOIL WITH FROST LINE OF 4' (1200 MM) OR LESS.

DOCUMENT No:		200-001-069			
REVISION HISTORY					
REV	DESCRIPTION	REF. No.	DATE	DRWN BY:	RWD BY:
0	Initial Release	WO# 527	2020-05-07	WM	
ENGINEERING SEAL:					
CLIENT:		STOCK			
PROJECT NAME:		STOCK			
PRODUCT NO:		DX-814			
DRAWING TITLE: BEEHIVE WITH PLANAR NETS FOUNDATION DRAWING					
REV:	SHEET:	SHEET SIZE:	SCALE:		
0	1 OF 2	PA3	NTS		
DESIGNED BY:		DATE:			
DRAWN BY: W. MCNAIR		DATE: 2020-05-07			
CHECKED BY:		DATE:			
REVIEWED BY:		DATE:			
APPROVED BY:		DATE:			
 Local: 613-446-0030 Toll free: 800-790-0034 Email: info@dynamoplaygrounds.com Fax: 613-446-0034 URL: www.dynamoplaygrounds.com					

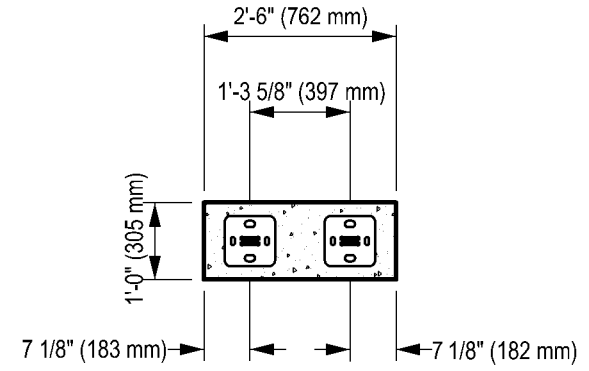
REVISION HISTORY					
REV	DESCRIPTION	REF. No.	DATE	DRWN BY:	RWD BY:
0	Initial Release	WO# 527	2020-05-07	WM	



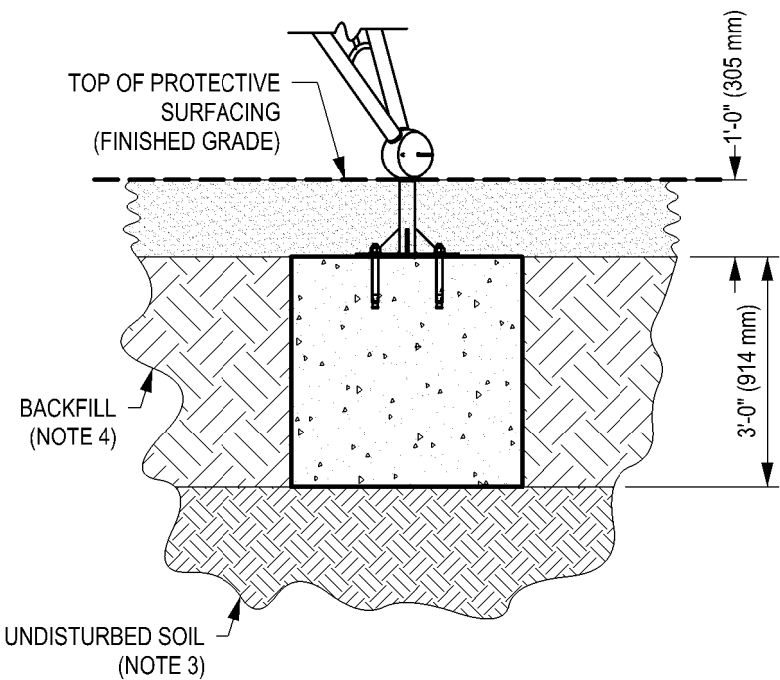
2 FT-1 DETAIL PLAN VIEW
2



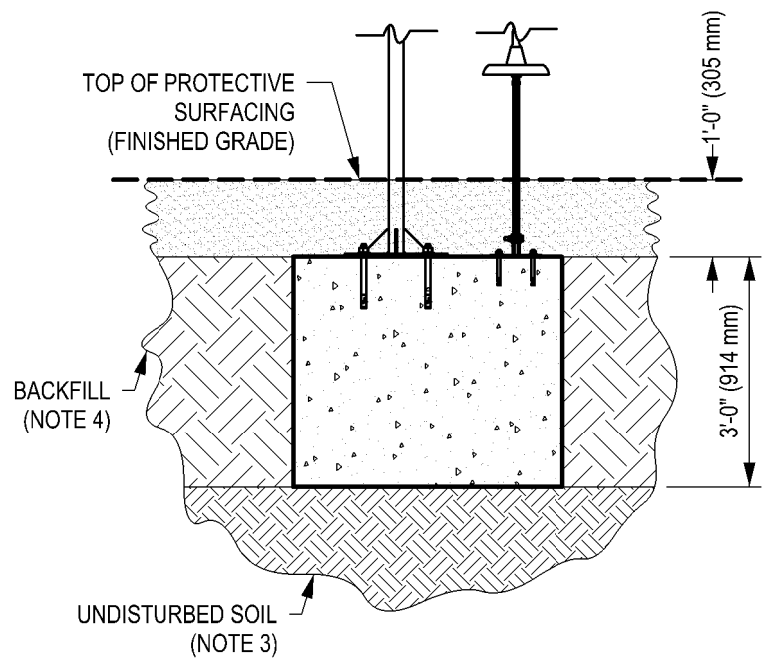
4 FT-2 DETAIL PLAN VIEW
2



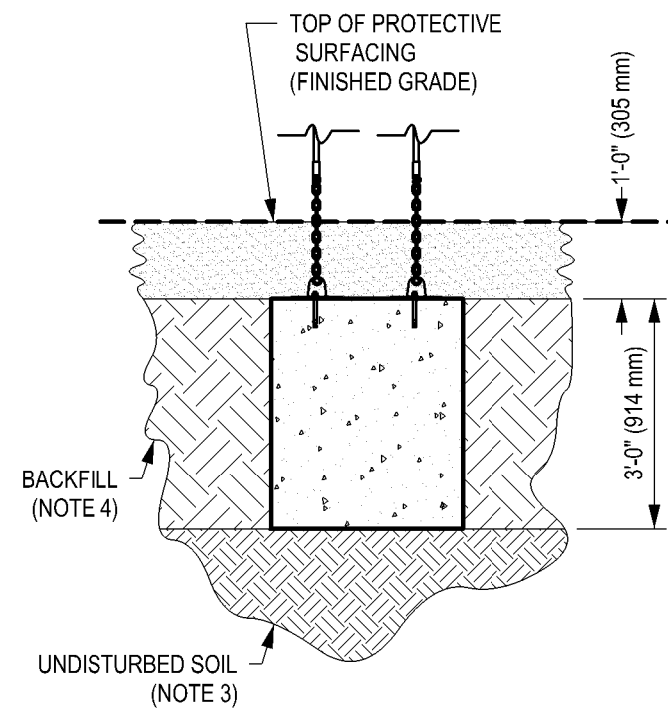
6 FT-3 DETAIL PLAN VIEW
2



3 FT-1 DETAIL ELEVATION VIEW
2



5 FT-2 DETAIL ELEVATION VIEW
2



7 FT-3 DETAIL ELEVATION VIEW
2

ENGINEERING SEAL:

CLIENT: STOCK
PROJECT NAME: STOCK
PRODUCT NO: DX-814

DRAWING TITLE:
BEEHIVE WITH PLANAR
NETS FOUNDATION
DRAWING

REV:	SHEET:	SHEET SIZE:	SCALE:
0	2 OF 2	PA3	NTS

DESIGNED BY:	DATE:
DRAWN BY: W. MCNAIR	DATE: 2020-05-07
CHECKED BY:	DATE:
REVIEWED BY:	DATE:
APPROVED BY:	DATE:

DYNAMO
PLAYGROUNDS

Local: 613-446-0030
Toll free: 800-790-0034
Email: info@dynamoplaygrounds.com
Fax: 613-446-0034
URL: www.dynamoplaygrounds.com