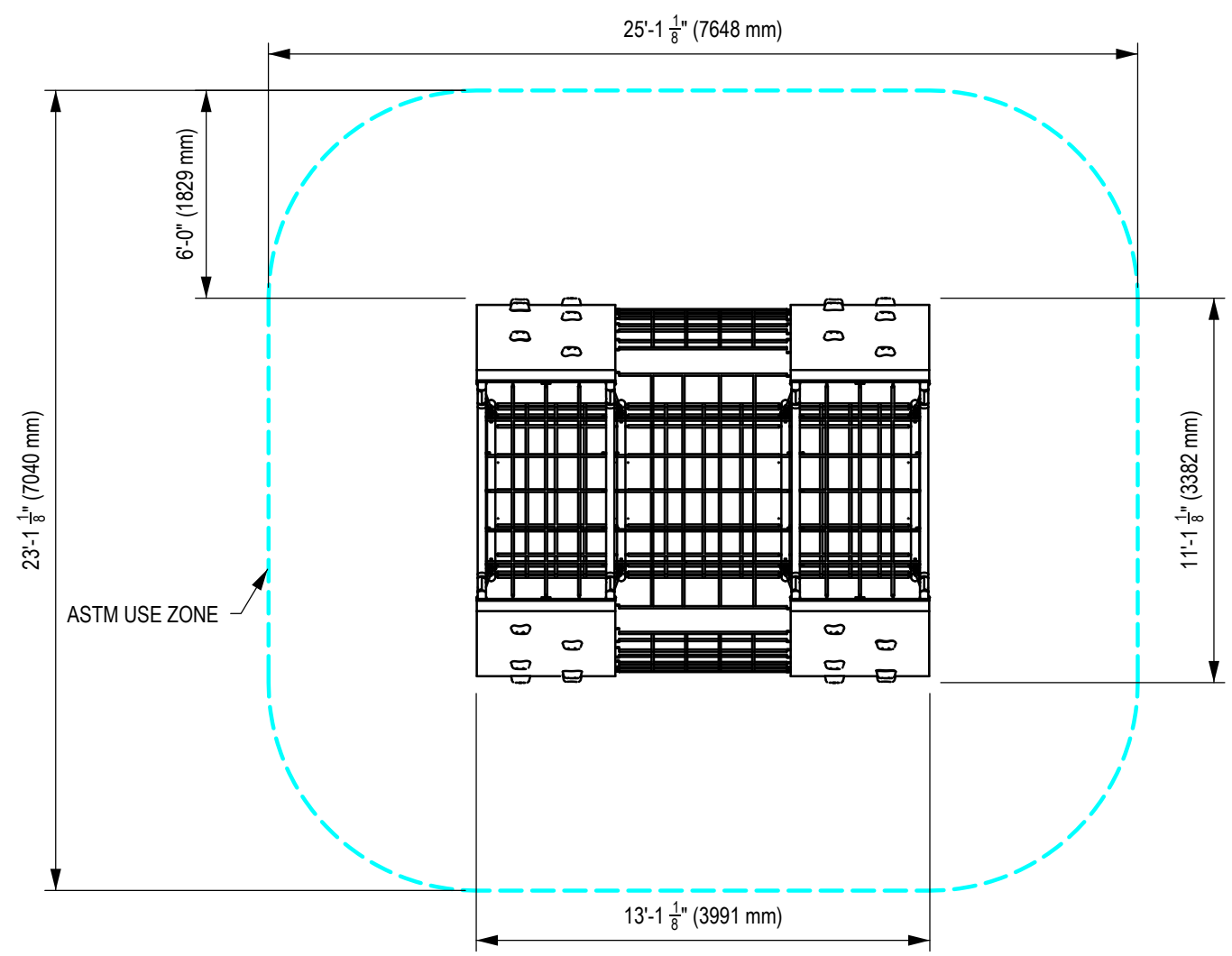
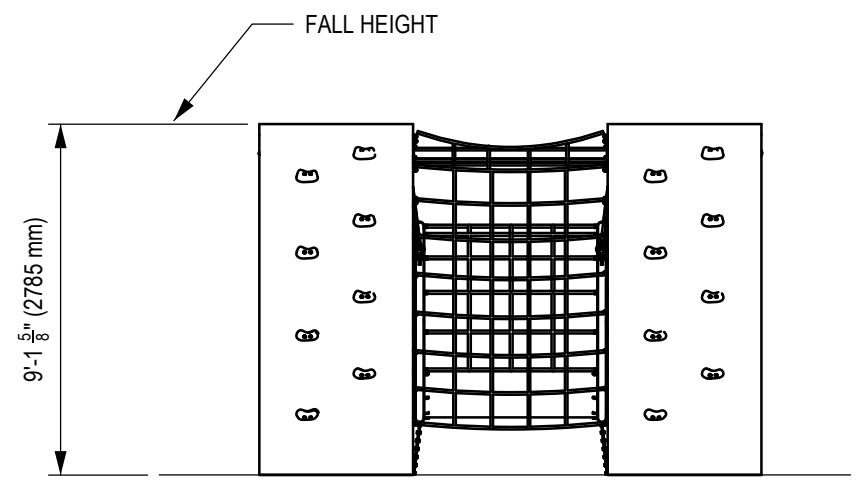


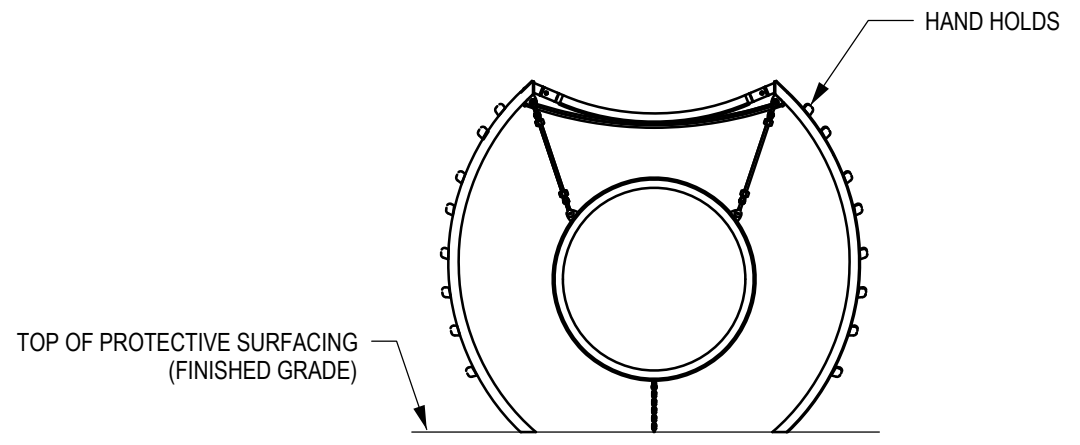
REVISION HISTORY					
REV	DESCRIPTION	REF. No.	DATE	DRWN BY:	CHKD BY:
0	Initial Release	WO#	2019-07-24	WM	
1	UPDATED TO NEW DESIGN	WO# 2136	2023-04-28	JC	PP



1 ASTM USE ZONE PLAN VIEW



2 FRONT ELEVATION VIEW



3 RIGHT ELEVATION VIEW

ENGINEERING SEAL:

CLIENT:

PROJECT NAME:

PRODUCT NO:
IM-1054

DRAWING TITLE:
SPEED TUNNEL ASTM
USE ZONE DRAWING

REV: 1	SHEET: 1 OF 1	SHEET SIZE: PA3	SCALE: NTS
--------	---------------	-----------------	------------

DESIGNED BY: DATE:

DRAWN BY: W. MCNAIR DATE: 2019-07-24

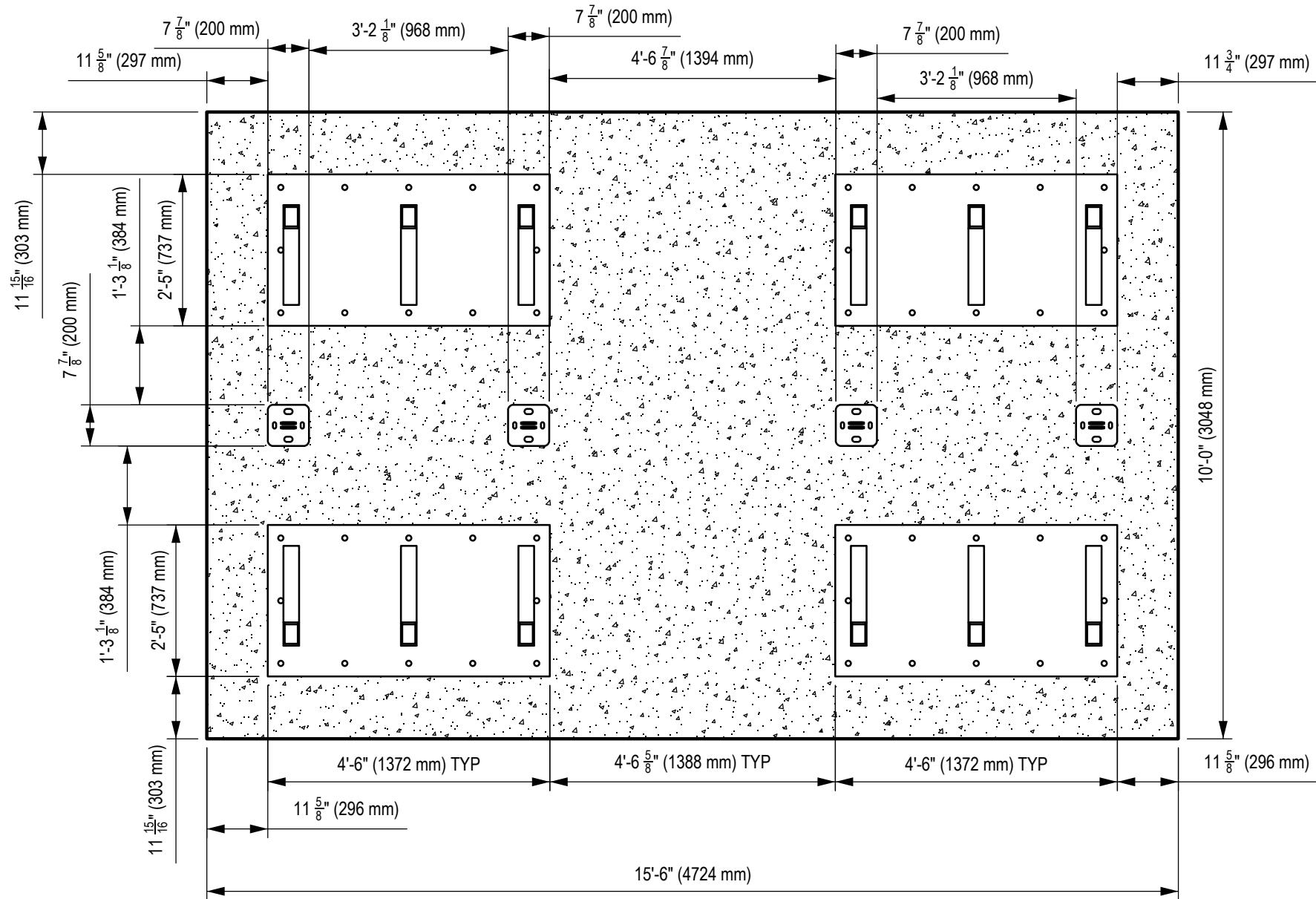
CHECKED BY: DATE:

REVIEWED BY: DATE:

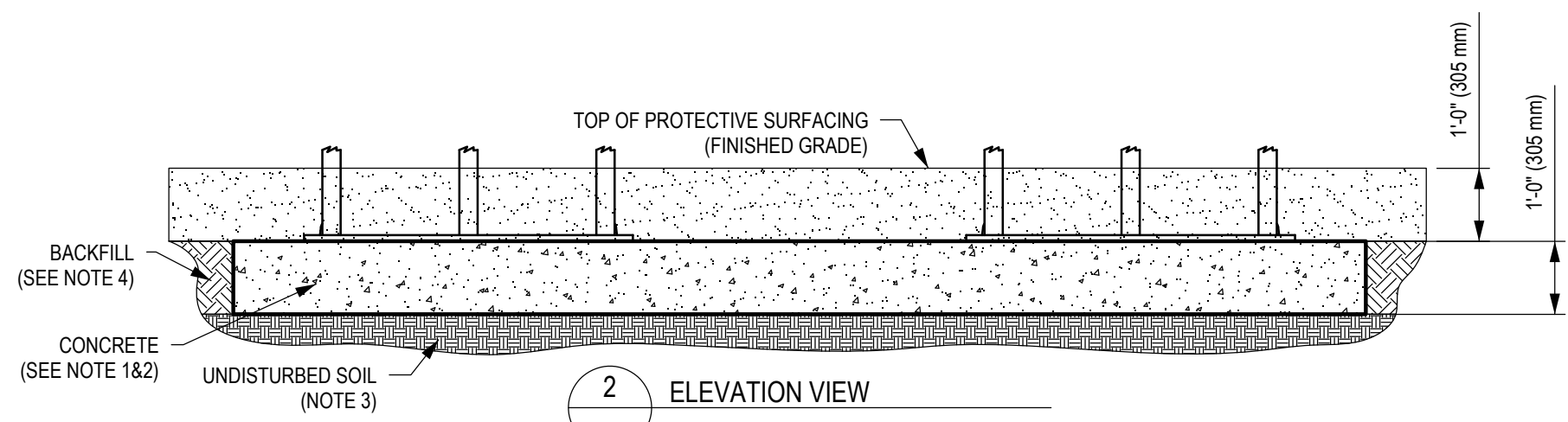
APPROVED BY: DATE:

DYNAMO
PLAYGROUNDS

Local: 613-446-0030
Toll free: 800-790-0034
Email: info@dynamoplaygrounds.com
Fax: 613-446-0034
URL: www.dynamoplaygrounds.com



1 FOUNDATION PLAN VIEW



2 ELEVATION VIEW

GENERAL NOTES:

1. THE FOUNDATION IN THE DRAWING TO BE USED AS A MINIMUM GUIDELINE. CHECK WITH LOCAL ENGINEERS TO ENSURE MINIMUM REINFORCEMENT TO BE APPLIED.
2. THE CONCRETE SHALL BE GRADE C25 (CHARACTERISTIC STRENGTH OF 3500 PSI AT 28 DAYS) MINIMUM.
3. THE FOUNDATION SHALL BE PLACED ON FIRM, UNDISTURBED SOIL SURFACE. WHEREVER EXCAVATION OCCURS BELOW THE DESIGNED FOUNDATION LEVEL, WELL COMPACTED BACK FILL OR LEAN CONCRETE SHALL BE USED FOR LEVELING.
4. BACKFILLING FOR FOUNDATION SHALL BE PLACED EVENLY IN 6" (150mm) LAYERS. LAYERS SHALL BE WELL COMPACTED.
5. THE FOUNDATION DESIGN IS SUITABLE FOR SOIL WITH A BEARING CAPACITY OF 1600 PSF (80 KPA) AND ABOVE.
6. THE FOUNDATION DESIGN IS SUITABLE FOR SOIL WITH FROST LINE OF 4' (1200 MM) OR LESS.

DOCUMENT No:		200-000-878			
REVISION HISTORY					
REV	DESCRIPTION	REF. No.	DATE	DRWN BY:	CHK BY:
0	Initial Release	XXXXX	2019-07-29	H.E.	
1	UPDATED FOR AS-BUILT	XXXXX	2019-10-11	WMC	
2	UPDATED TO NEW DESIGN	WO# 2136	2023-04-28	JC	PP
ENGINEERING SEAL:					
CLIENT:					
PROJECT NAME:					
PRODUCT NO:					
IM-1054					
DRAWING TITLE:					
SPEED TUNNEL FOUNDATION DRAWING					
REV:	SHEET:	SHEET SIZE:	SCALE:		
2	1 OF 1	PA3	NTS		
DESIGNED BY:	H.E.	DATE:	2019-07-29		
DRAWN BY:	H.E.	DATE:	2019-07-29		
CHECKED BY:		DATE:			
REVIEWED BY:		DATE:			
APPROVED BY:		DATE:			
Local: 613-446-0030 Toll free: 800-790-0034 Email: info@dynamoplaygrounds.com Fax: 613-446-0034 URL: www.dynamoplaygrounds.com					