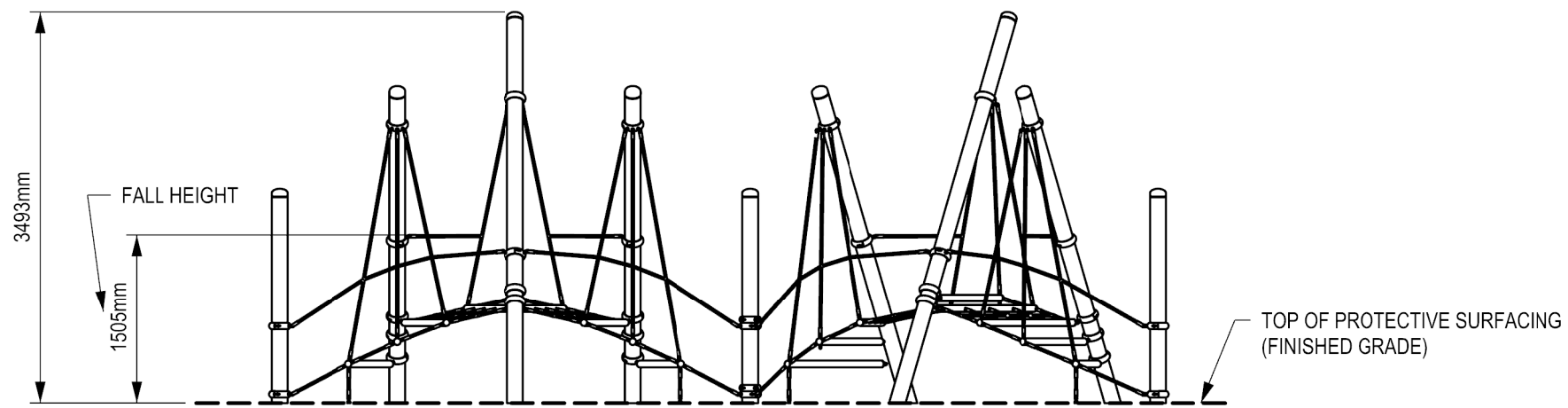


1 EN USE ZONE PLAN VIEW



2 ELEVATION VIEW

DOCUMENT No: 200-000-535

REVISION HISTORY					
REV	DESCRIPTION	REF. No.	DATE	DRWN BY:	RWD BY:
0	Initial Release		2019-08-20	WM	

ENGINEERING SEAL:

CLIENT: STOCK
 PROJECT NAME: STOCK
 PRODUCT NO: IM-1005

DRAWING TITLE:
BALANCING COURSE EN USE ZONE DRAWING

REV: 0	SHEET: 1 OF 1	SHEET SIZE: PA3	SCALE: NTS
--------	---------------	-----------------	------------

DESIGNED BY: J. CARRUTHERS DATE: 2016-06-14

DRAWN BY: W. MCNAIR DATE: 2019-08-20

CHECKED BY: DATE:

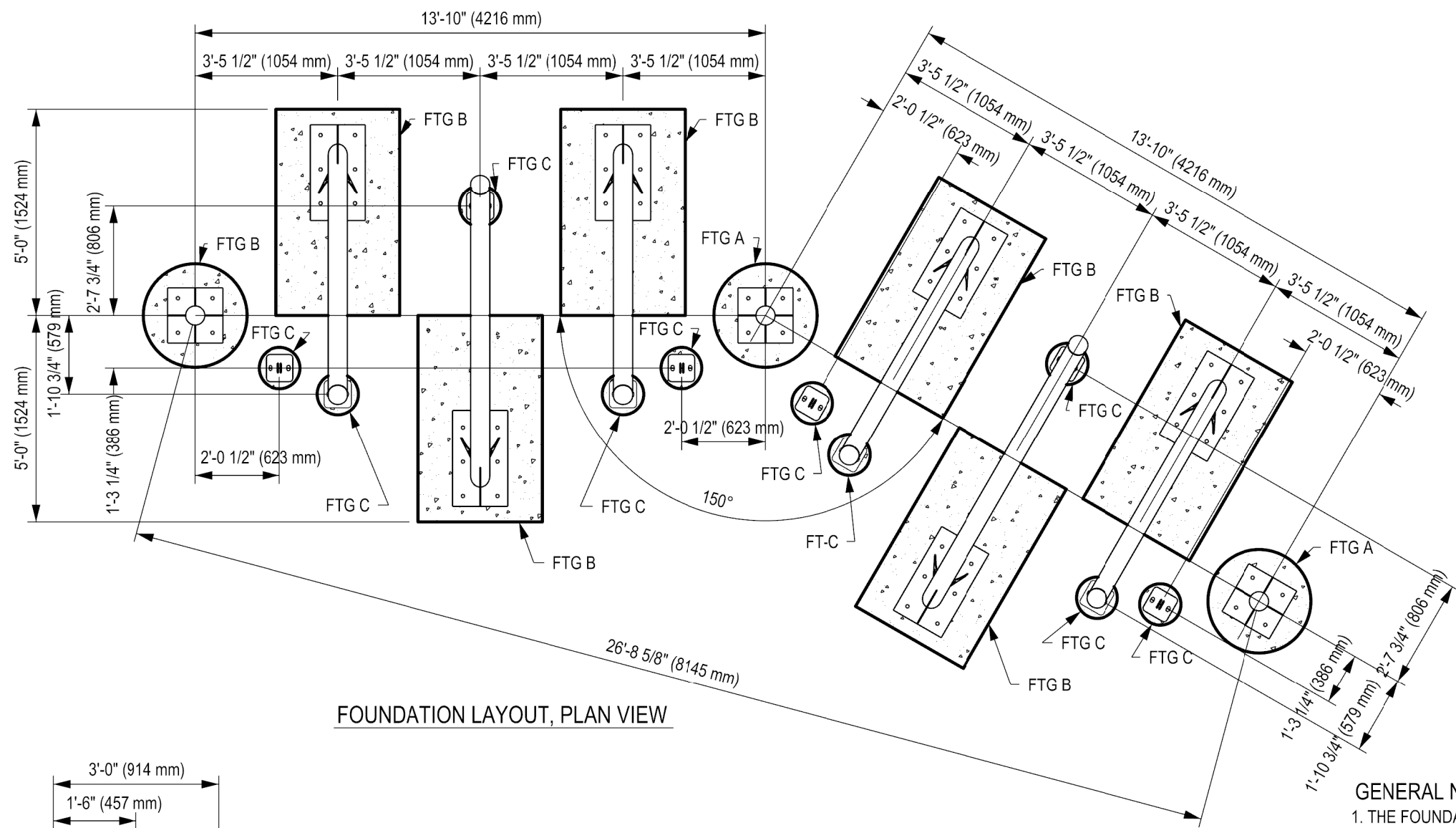
REVIEWED BY: DATE:

APPROVED BY: DATE:

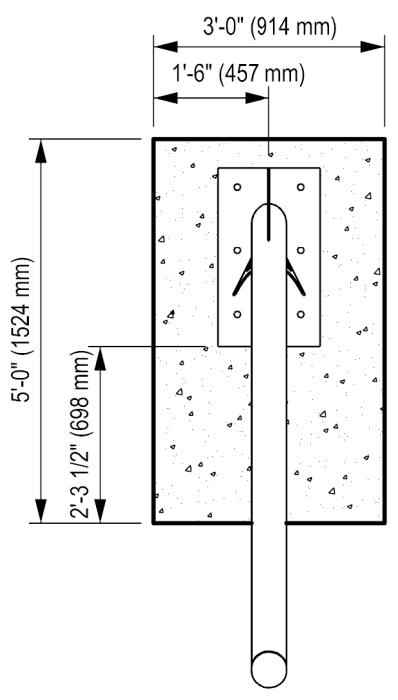
DYNAMO
PLAYGROUNDS

Local: 613-446-0030
 Toll free: 800-790-0034
 Email: info@dynamoplaygrounds.com
 Fax: 613-446-0034
 URL: www.dynamoplaygrounds.com

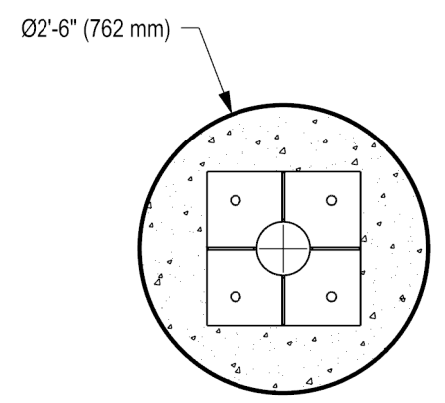
DOCUMENT No:	200-000-062				
REVISION HISTORY					
REV	DESCRIPTION	REF. No.	DATE	DRWN BY:	RWD BY:
0	FOUNDATION ORIGINALLY DESIGNED BY JC.	WO# 1454D	2017-06-25	LL	
1	FOUNDATION DESIGNED UPDATED. DESIGN TAKEN FROM DC-170123	WO# 1967D	2018-12-11	WMc	
2	4X ANCHOR CHAIN FOUNDATIONS ADDED DIRECTLY UNDER THE SHORTER LEANING POSTS	WO# 1967D	2019-08-19	WMc	



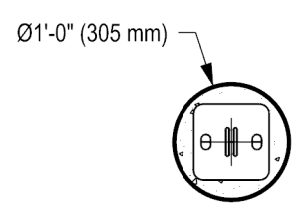
FOUNDATION LAYOUT, PLAN VIEW



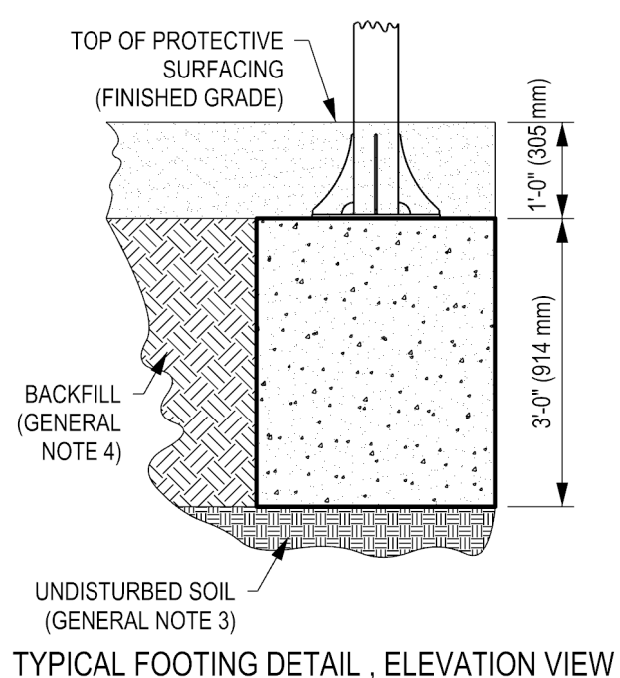
FTG A DETAIL, PLAN VIEW



FTG A DETAIL, PLAN VIEW



FTG A DETAIL, PLAN VIEW



TYPICAL FOOTING DETAIL, ELEVATION VIEW

GENERAL NOTES:

1. THE FOUNDATION IN THE DRAWING TO BE USED AS A MINIMUM GUIDELINE. CHECK WITH LOCAL ENGINEERS
2. THE CONCRETE SHALL BE GRADE C25 (CHARACTERISTIC STRENGTH OF 3500 PSI AT 28 DAYS) MINIMUM.
3. THE FOUNDATION SHALL BE PLACED ON FIRM, UNDISTURBED SOIL SURFACE. WHEREVER EXCAVATION OCCURS BELOW THE DESIGNED FOUNDATION LEVEL, WELL COMPACTED BACK FILL OR LEAN CONCRETE SHALL BE USED FOR LEVELING.
4. BACKFILLING FOR FOUNDATION SHALL BE PLACED EVENLY IN 6" (150mm) LAYERS. LAYERS SHALL BE WELL COMPACTED.
5. THE FOUNDATION DESIGN IS SUITABLE FOR SOIL WITH A BEARING CAPACITY OF 1600 PSF (80 KPA) AND ABOVE.
6. THE FOUNDATION DESIGN IS SUITABLE FOR SOIL WITH FROST LINE OF 4' (1200 MM) OR LESS.

CLIENT:	STOCK		
PROJECT NAME:	STOCK		
PRODUCT NO:	IM-1005		
DRAWING TITLE:	BALANCING COURSE FOUNDATION DRAWING		
REV:	SHEET:	SHEET SIZE:	SCALE:
2	1 OF 1	PA3	NTS
DESIGNED BY:	J. CARRUTHERS	DATE:	2016-06-14
DRAWN BY:	LL/WMc	DATE:	2017-06-25
CHECKED BY:	A. NISBET	DATE:	2017-06-25
REVIEWED BY:		DATE:	
APPROVED BY:		DATE:	

DYNAMO
PLAYGROUNDS

Local: 613-446-0030
Toll free: 800-790-0034
Email: info@dynamoplaygrounds.com
Fax: 613-446-0034
URL: www.dynamoplaygrounds.com