

DOCUMENT No: 200-000-475

REVISION HISTORY

REV	DESCRIPTION	REF. No.	DATE	DRWN BY:	RWD BY:
0	Initial Release	-	-	-	-

ENGINEERING SEAL:

CLIENT: GENERAL

PROJECT NAME: METEOR MINI

PRODUCT NO: DX-802-1

DRAWING TITLE:
DX-802-1 USE ZONE
ASTM

REV:	SHEET:	SHEET SIZE:	SCALE:
0	1 OF 1	PA3	NTS

DESIGNED BY: DATE:

DRAWN BY: JZ DATE: 2018-11-05

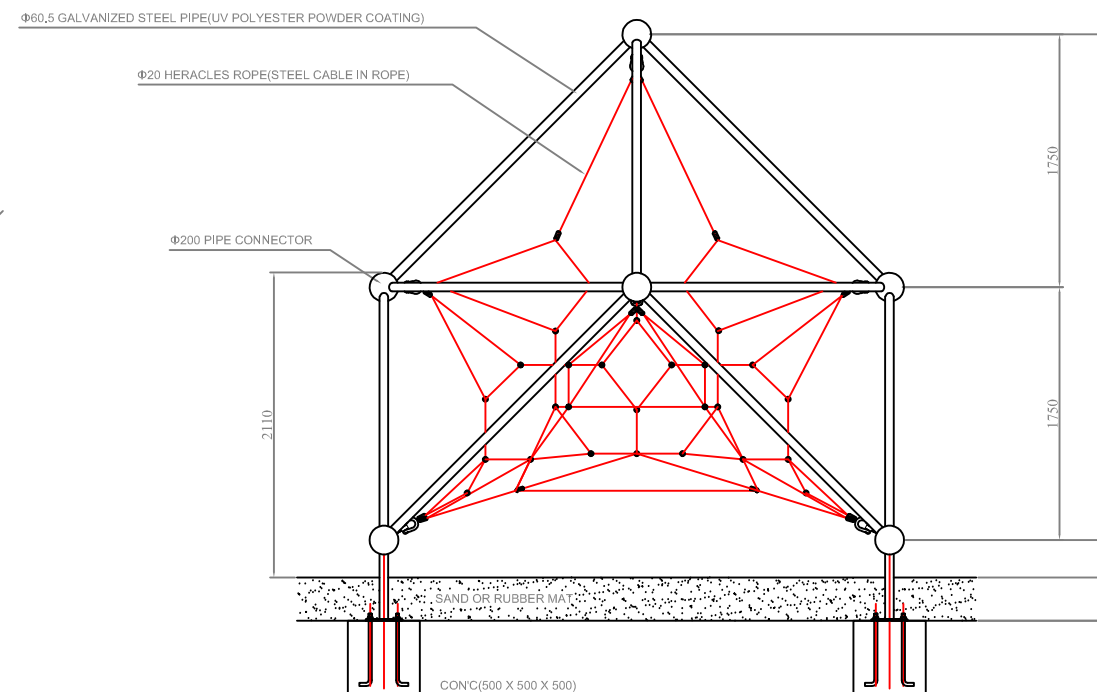
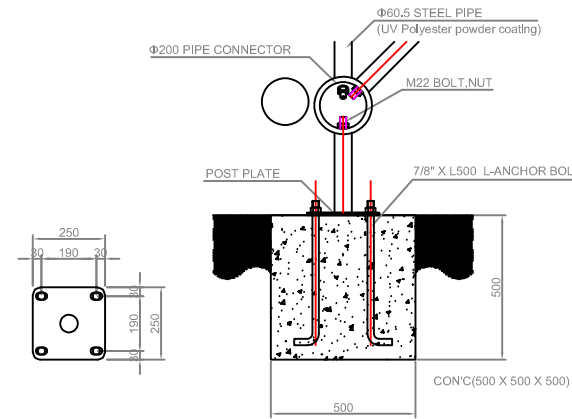
CHECKED BY: DATE:

REVIEWED BY: DATE:

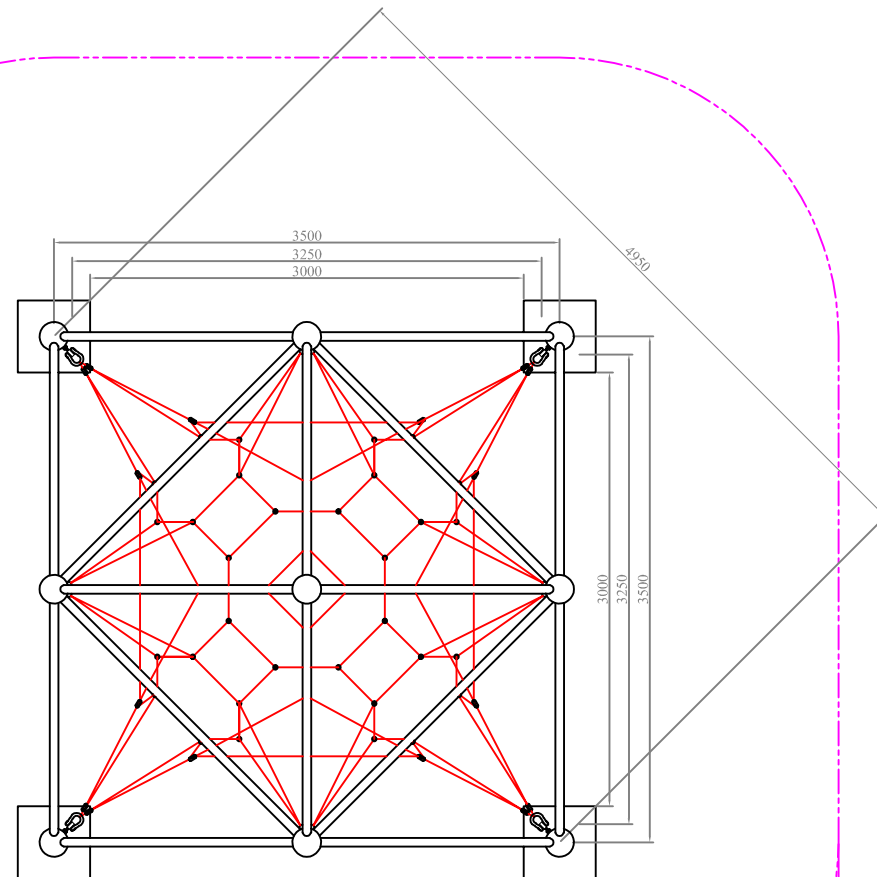
APPROVED BY: DATE:

DYNAMO
PLAYGROUNDS

Local: 613-446-0030
Toll free: 800-790-0034
Email: info@dynamoplaygrounds.com
Fax: 613-446-0034
URL: www.dynamoplaygrounds.com



FRONT VIEW
SCALE 1/20



LAYOUT DRAWING
SCALE 1/20

7360