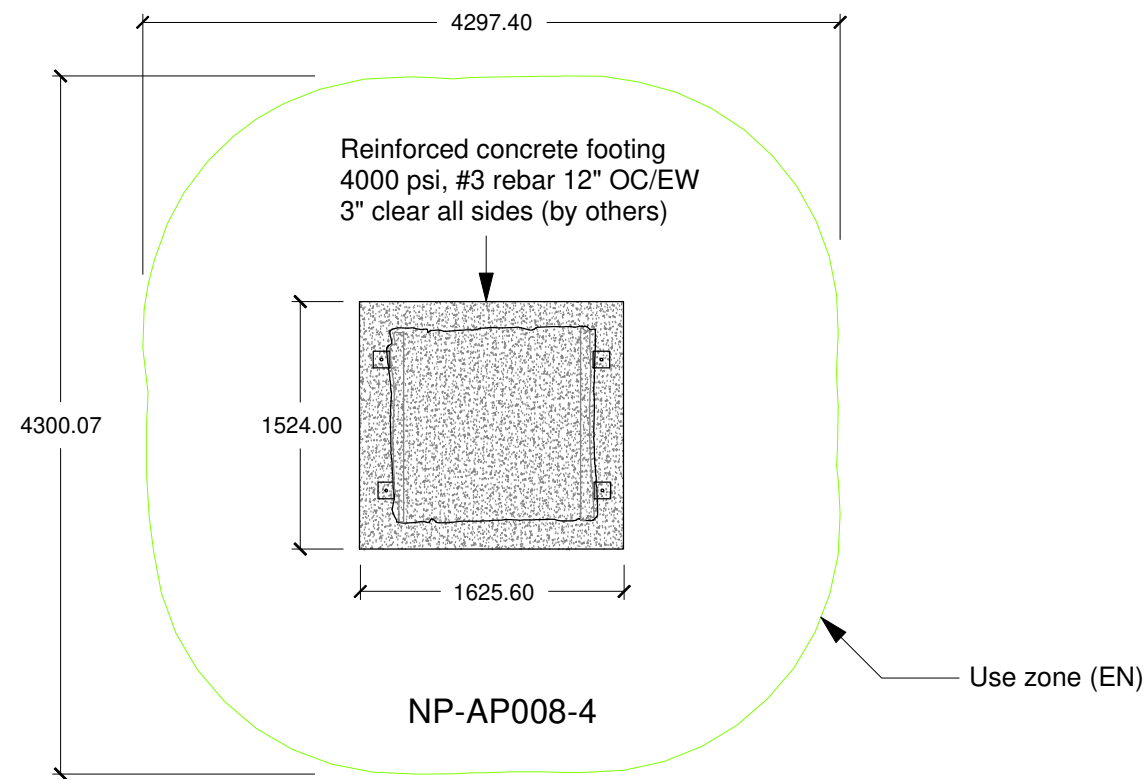
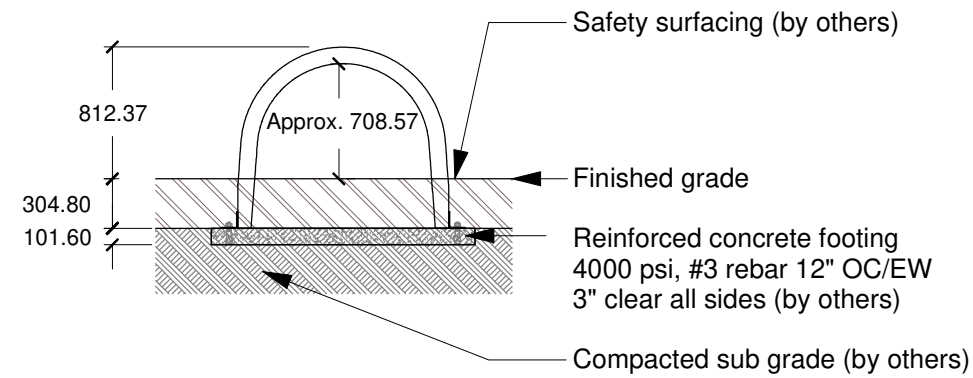


200-000-314

REVISION HISTORY

REV	DESCRIPTION	REF. No.	DATE	DRWN BY:	RWD BY:
0	Initial Release		-	-	



ENGINEERING SEAL:

CLIENT:

PROJECT NAME:

PRODUCT NO:
NP-AP008-4

DRAWING TITLE:
EN 2D LAYOUT

REV:	SHEET:	SHEET SIZE:	SCALE:
0	1 OF 1	PA3	NTS

DESIGNED BY: _____ DATE: YYYY-MM-DD

DRAWN BY: _____ DATE: YYYY-MM-DD

CHECKED BY: _____ DATE: _____

CHECKED BY: _____ DATE: _____

REVIEWED BY: _____ DATE: _____

DYNAMO
PLAYGROUNDS

Local: 613-446-0030
Toll free: 800-790-0034
Email: info@dynamoplaygrounds.com
Fax: 613-446-0034
URL: www.dynamoplaygrounds.com