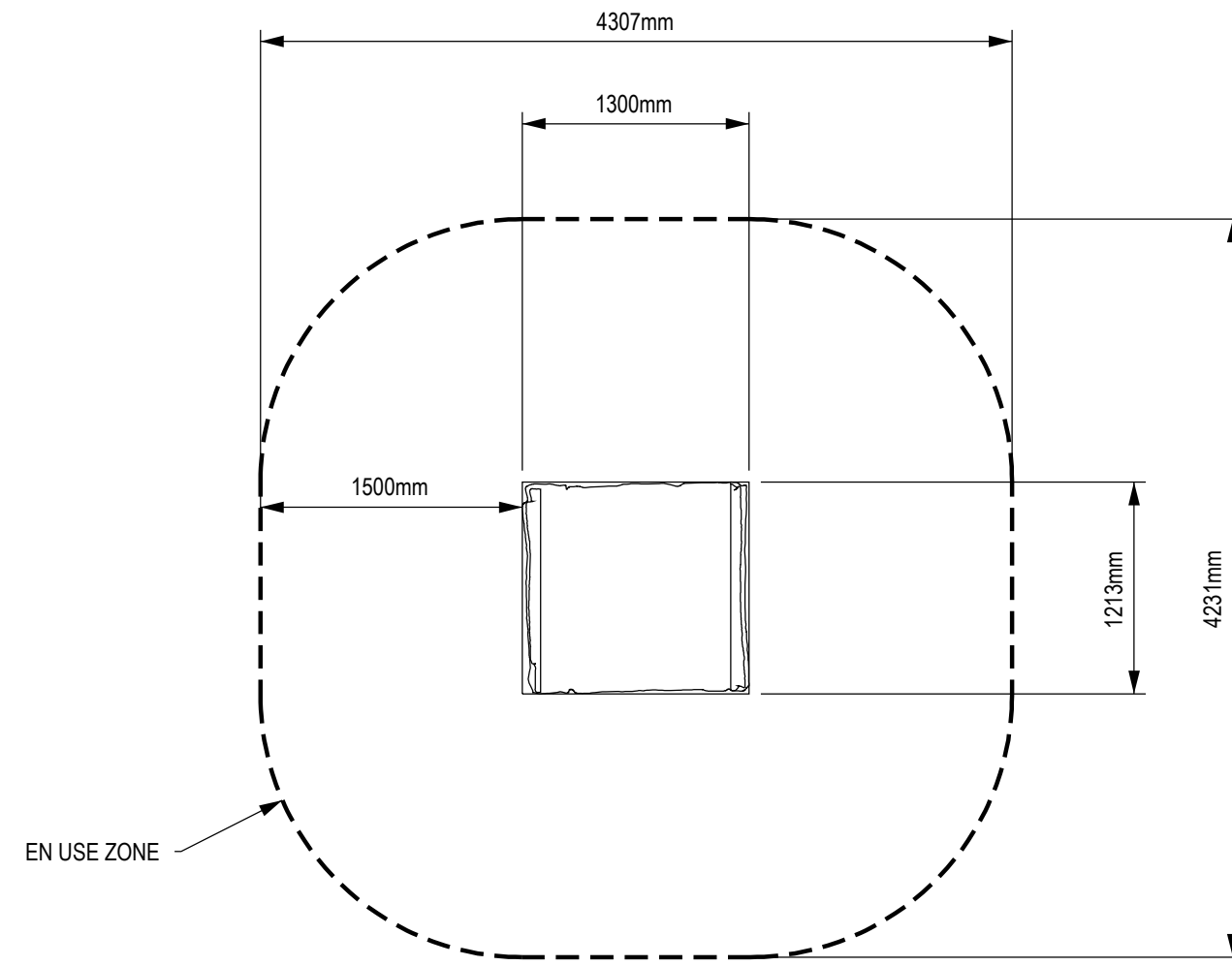
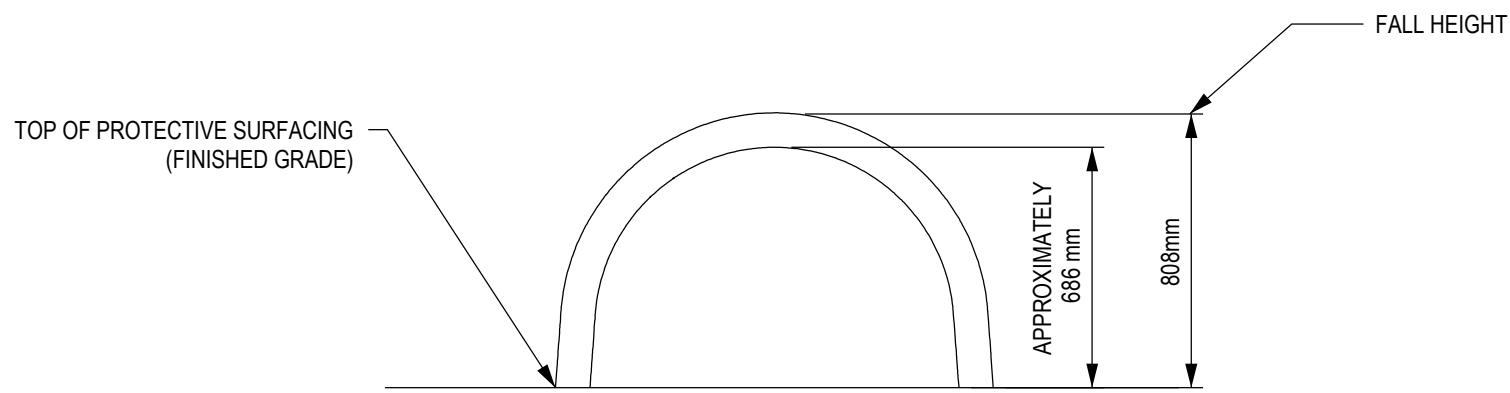


DOCUMENT No: 200-000-314

| REVISION HISTORY |                             |          |            |          |         |
|------------------|-----------------------------|----------|------------|----------|---------|
| REV              | DESCRIPTION                 | REF. No. | DATE       | DRWN BY: | CHK BY: |
| 0                | Initial Release             |          |            |          |         |
| 1                | UPDATED TO THE NEW TEMPLATE |          | 2021-10-26 | SA       | JC      |



1 EN USE ZONE PLAN VIEW



2 ELEVATION VIEW

ENGINEERING SEAL:

CLIENT: STOCK

PROJECT NAME: STOCK

PRODUCT NO: NP-AP008-4

DRAWING TITLE:  
**REDWOOD CRAWL 4'**  
**EN USE ZONE DRAWING**

|        |               |                 |            |
|--------|---------------|-----------------|------------|
| REV: 1 | SHEET: 1 OF 1 | SHEET SIZE: PA3 | SCALE: NTS |
|--------|---------------|-----------------|------------|

|                       |                  |
|-----------------------|------------------|
| DESIGNED BY:          | DATE:            |
| DRAWN BY: S.ALKATHERI | DATE: 2021-10-26 |
| CHECKED BY: J.CHEN    | DATE: 2021-10-28 |
| REVIEWED BY:          | DATE:            |
| APPROVED BY:          | DATE:            |

**DYNAMO**  
PLAYGROUNDS

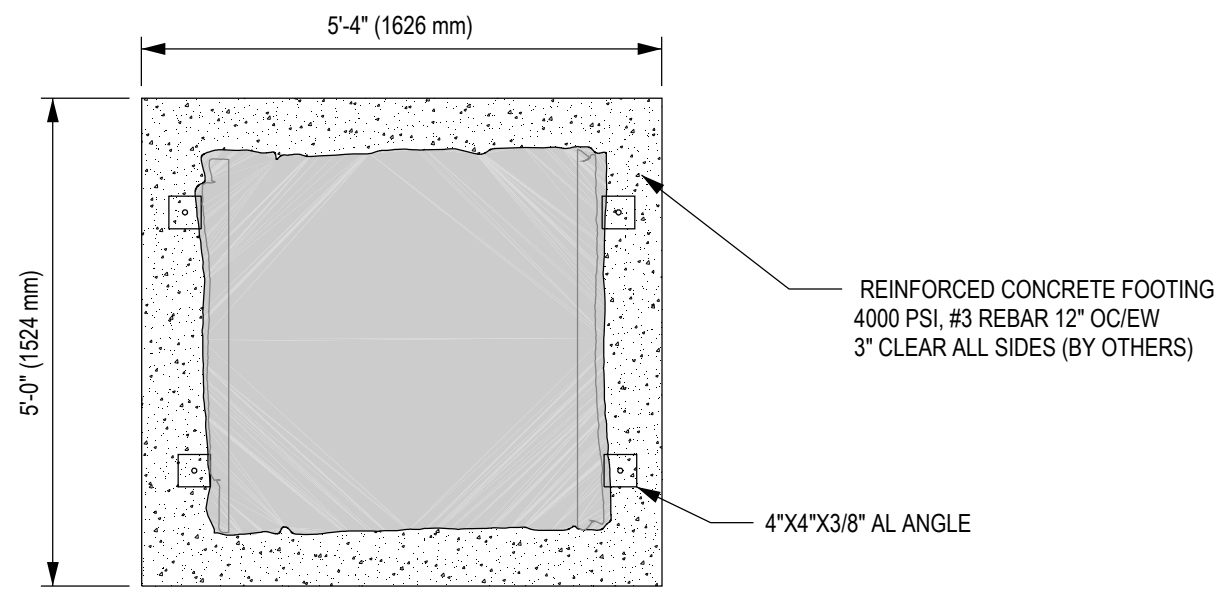
Local: 613-446-0030  
Toll free: 800-790-0034  
Email: [info@dynamoplaygrounds.com](mailto:info@dynamoplaygrounds.com)  
Fax: 613-446-0034  
URL: [www.dynamoplaygrounds.com](http://www.dynamoplaygrounds.com)

| REVISION HISTORY |                  |          |            |          |         |
|------------------|------------------|----------|------------|----------|---------|
| REV              | DESCRIPTION      | REF. No. | DATE       | DRWN BY: | CHK BY: |
| 0                | Initial Release. |          | 2021-10-26 | SA       | JC      |

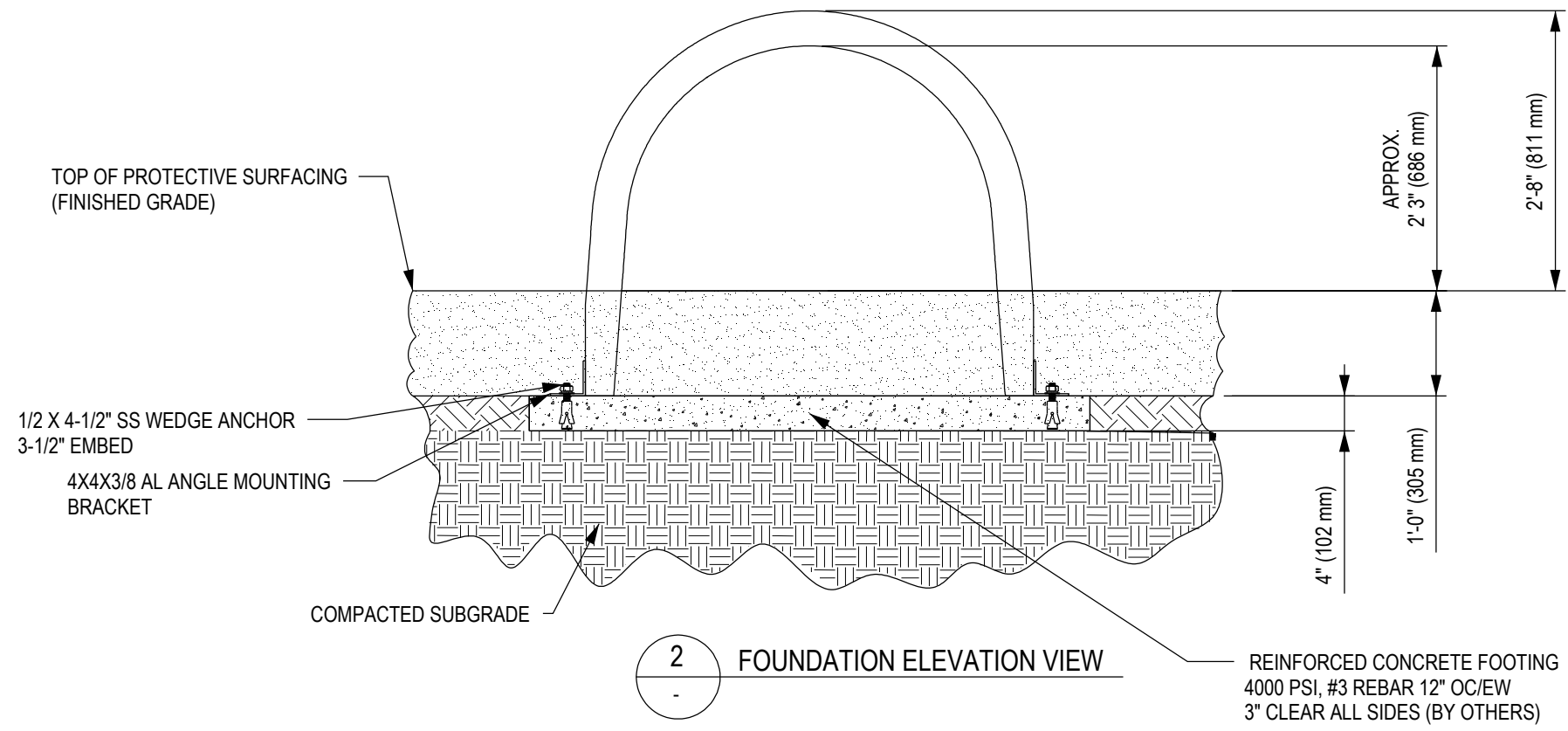
**GENERAL NOTES:**

1. THE FOUNDATION IN THE DRAWING TO BE USED AS A MINIMUM GUIDELINE. CHECK WITH LOCAL ENGINEERS

2. BACKFILLING FOR FOUNDATION SHALL BE PLACED EVENLY IN 6" (150mm) LAYERS. LAYERS SHALL BE WELL COMPACTED.



1 FOUNDATION PLAN VIEW



2 FOUNDATION ELEVATION VIEW

CLIENT: STOCK

PROJECT NAME: STOCK

PRODUCT NO: NP-AP008-4

DRAWING TITLE:  
**REDWOOD CRAWL 4' FOUNDATION DRAWING**

|        |               |                 |            |
|--------|---------------|-----------------|------------|
| REV: 0 | SHEET: 1 OF 1 | SHEET SIZE: PA3 | SCALE: NTS |
|--------|---------------|-----------------|------------|

|                       |                  |
|-----------------------|------------------|
| DESIGNED BY:          | DATE:            |
| DRAWN BY: S.ALKATHERI | DATE: 2021-10-26 |
| CHECKED BY: J.CHEN    | DATE: 2021-10-28 |
| REVIEWED BY:          | DATE:            |
| APPROVED BY:          | DATE:            |

**DYNAMO**  
PLAYGROUNDS

Local: 613-446-0030  
Toll free: 800-790-0034  
Email: [info@dynamoplaygrounds.com](mailto:info@dynamoplaygrounds.com)  
Fax: 613-446-0034  
URL: [www.dynamoplaygrounds.com](http://www.dynamoplaygrounds.com)