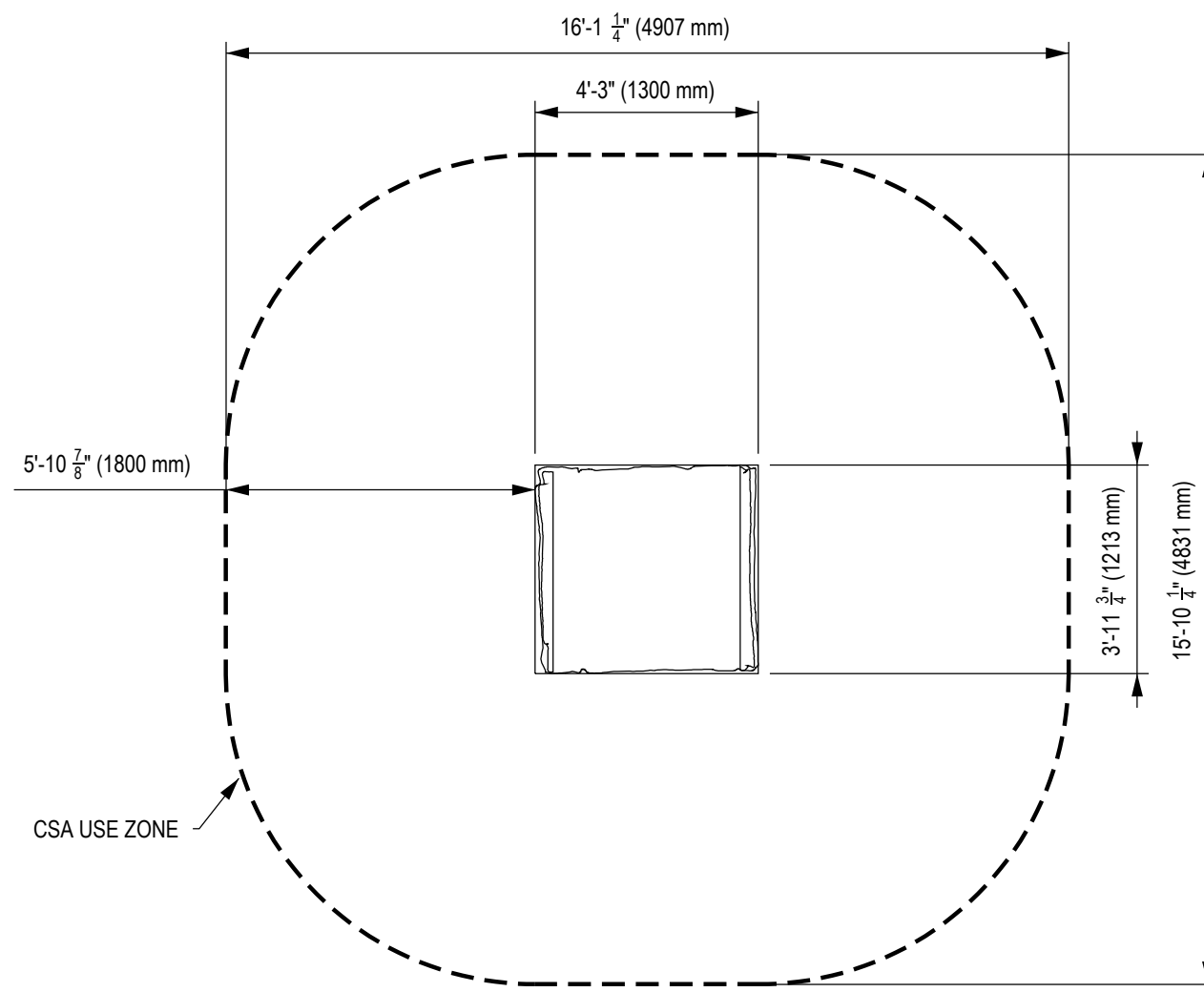
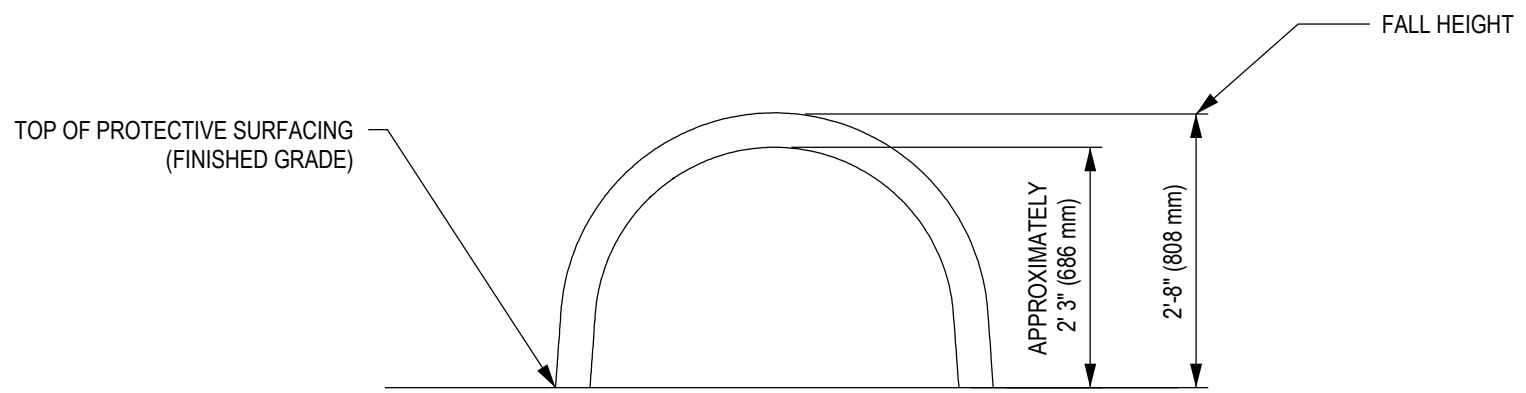


DOCUMENT No: 200-000-313

REVISION HISTORY					
REV	DESCRIPTION	REF. No.	DATE	DRWN BY:	CHK BY:
0	Initial Release				
1	UPDATED TO THE NEW TEMPLATE		2021-10-26	SA	JC



1 CSA USE ZONE PLAN VIEW



2 ELEVATION VIEW

ENGINEERING SEAL:

CLIENT: STOCK
 PROJECT NAME: STOCK
 PRODUCT NO: NP-AP008-4

DRAWING TITLE:
REDWOOD CRAWL 4'
CSA USE ZONE DRAWING

REV: 1	SHEET: 1 OF 1	SHEET SIZE: PA3	SCALE: NTS
--------	---------------	-----------------	------------

DESIGNED BY:	DATE:
DRAWN BY: S.ALKATHERI	DATE: 2021-10-26
CHECKED BY: J.CHEN	DATE: 2021-10-28
REVIEWED BY:	DATE:
APPROVED BY:	DATE:

DYNAMO
PLAYGROUNDS



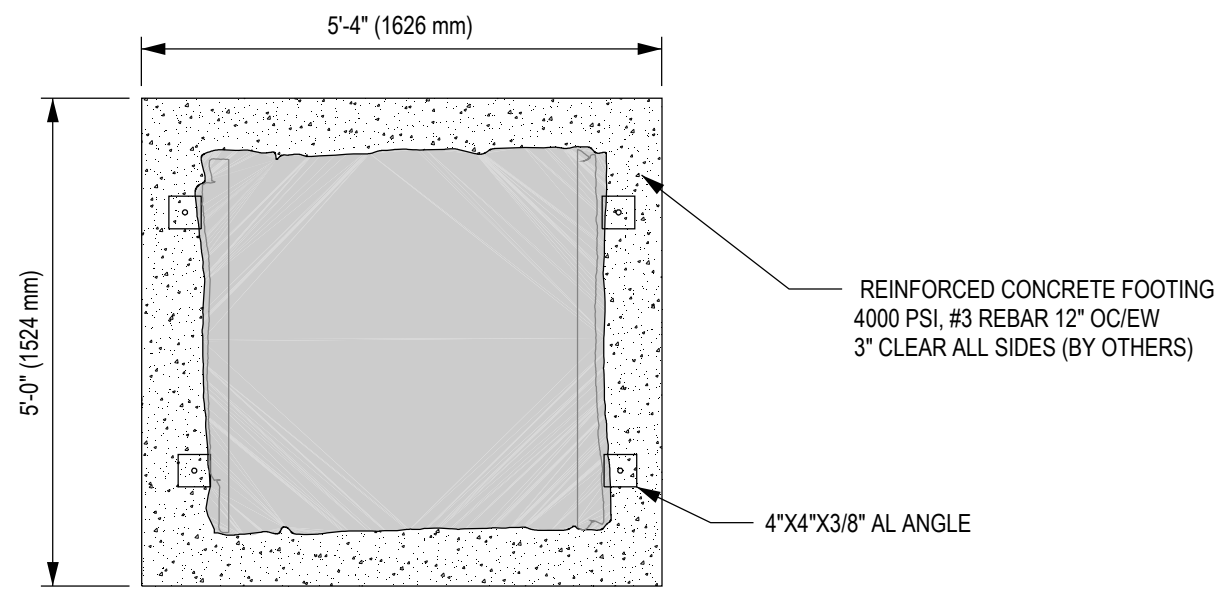
Local: 613-446-0030
 Toll free: 800-790-0034
 Email: info@dynamoplaygrounds.com
 Fax: 613-446-0034
 URL: www.dynamoplaygrounds.com

REVISION HISTORY					
REV	DESCRIPTION	REF. No.	DATE	DRWN BY:	CHK BY:
0	Initial Release.		2021-10-26	SA	JC

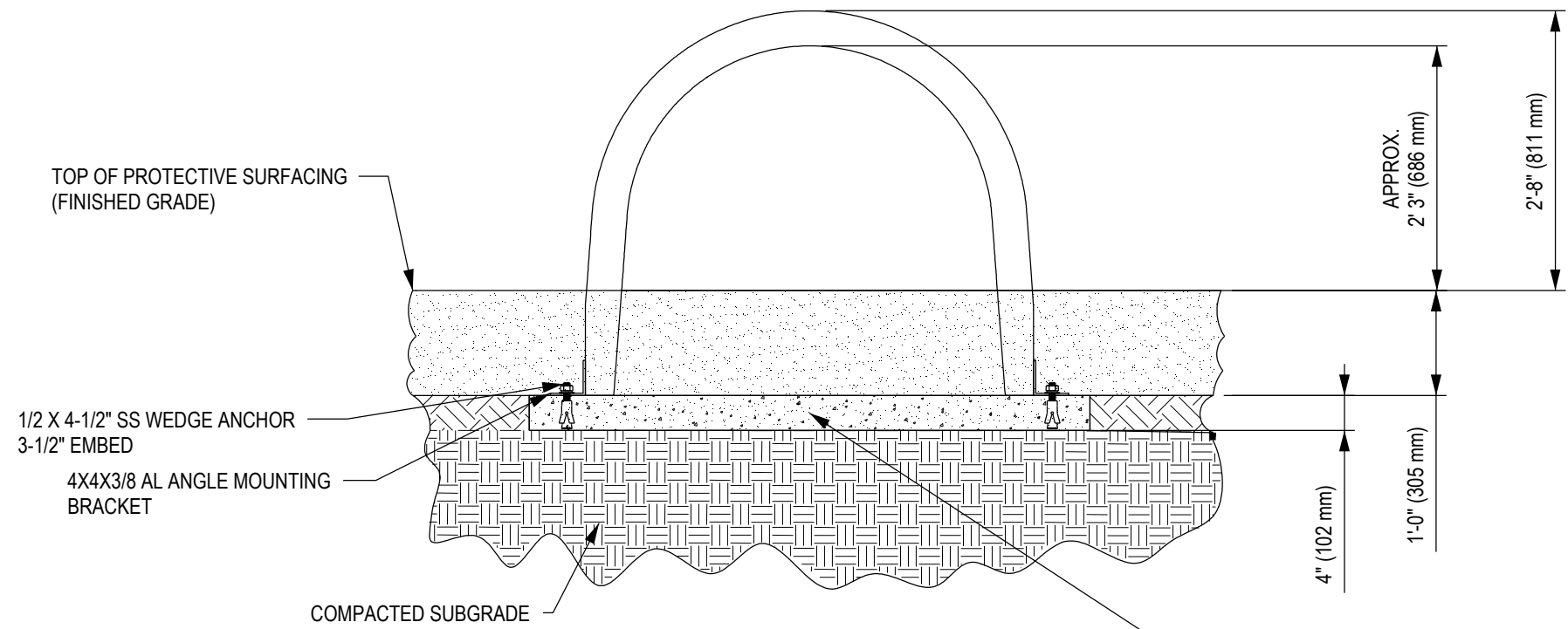
GENERAL NOTES:

1. THE FOUNDATION IN THE DRAWING TO BE USED AS A MINIMUM GUIDELINE. CHECK WITH LOCAL ENGINEERS

2. BACKFILLING FOR FOUNDATION SHALL BE PLACED EVENLY IN 6" (150mm) LAYERS. LAYERS SHALL BE WELL COMPACTED.



1 FOUNDATION PLAN VIEW



2 FOUNDATION ELEVATION VIEW

ENGINEERING SEAL:

CLIENT: STOCK
 PROJECT NAME: STOCK
 PRODUCT NO: NP-AP008-4

DRAWING TITLE:
REDWOOD CRAWL 4' FOUNDATION DRAWING

REV: 0	SHEET: 1 OF 1	SHEET SIZE: PA3	SCALE: NTS
--------	---------------	-----------------	------------

DESIGNED BY:	DATE:
DRAWN BY: S.ALKATHERI	DATE: 2021-10-26
CHECKED BY: J.CHEN	DATE: 2021-10-28
REVIEWED BY:	DATE:
APPROVED BY:	DATE:

DYNAMO
PLAYGROUNDS

Local: 613-446-0030
 Toll free: 800-790-0034
 Email: info@dynamoplaygrounds.com
 Fax: 613-446-0034
 URL: www.dynamoplaygrounds.com