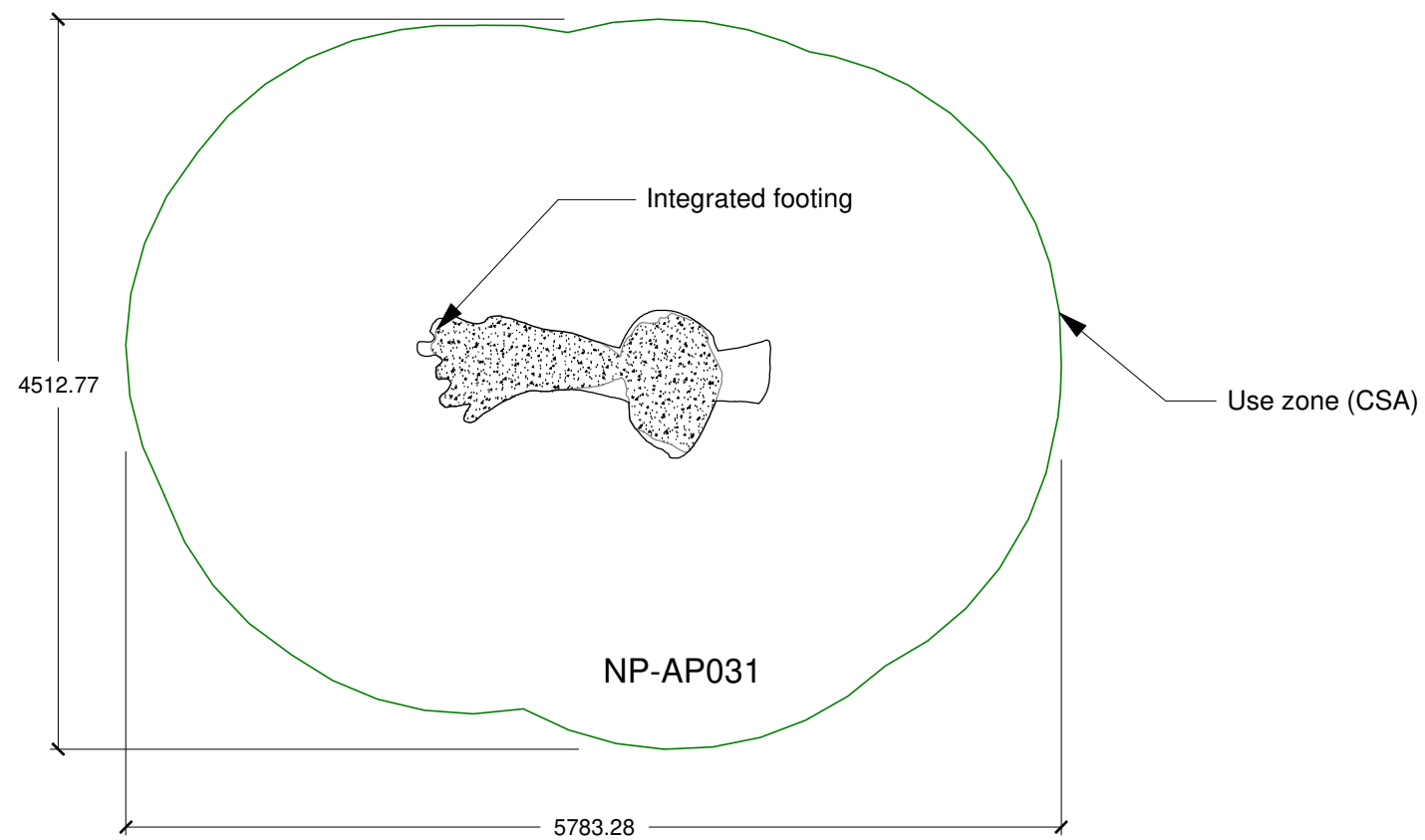
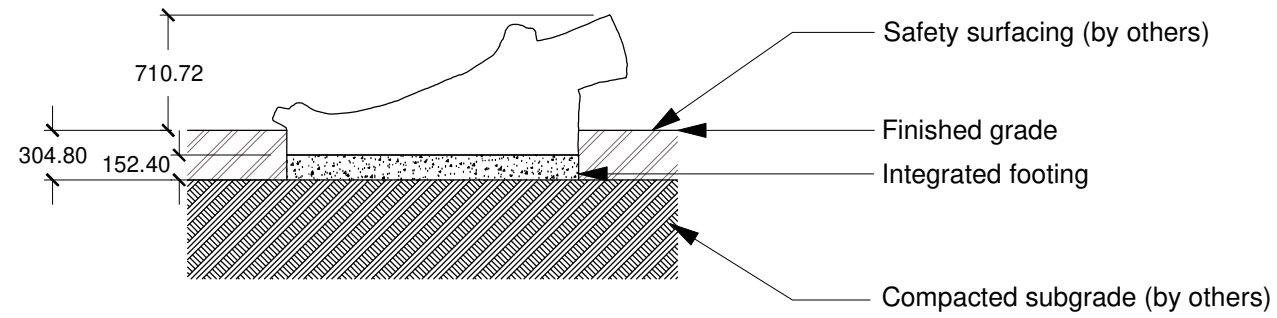


200-000-361

REVISION HISTORY

REV	DESCRIPTION	REF. No.	DATE	DRWN BY:	RWD BY:
0	Initial Release		-	-	



ENGINEERING SEAL:

CLIENT:

PROJECT NAME:

PRODUCT NO:

NP-AP031

DRAWING TITLE:

CSA 2D LAYOUT

REV:	SHEET:	SHEET SIZE:	SCALE:
0	1 OF 1	PA3	NTS

DESIGNED BY: _____ DATE: YYYY-MM-DD

DRAWN BY: _____ DATE: YYYY-MM-DD

CHECKED BY: _____ DATE: _____

CHECKED BY: _____ DATE: _____

REVIEWED BY: _____ DATE: _____



Local: 613-446-0030
 Toll free: 800-790-0034
 Email: info@dynamoplaygrounds.com
 Fax: 613-446-0034
 URL: www.dynamoplaygrounds.com