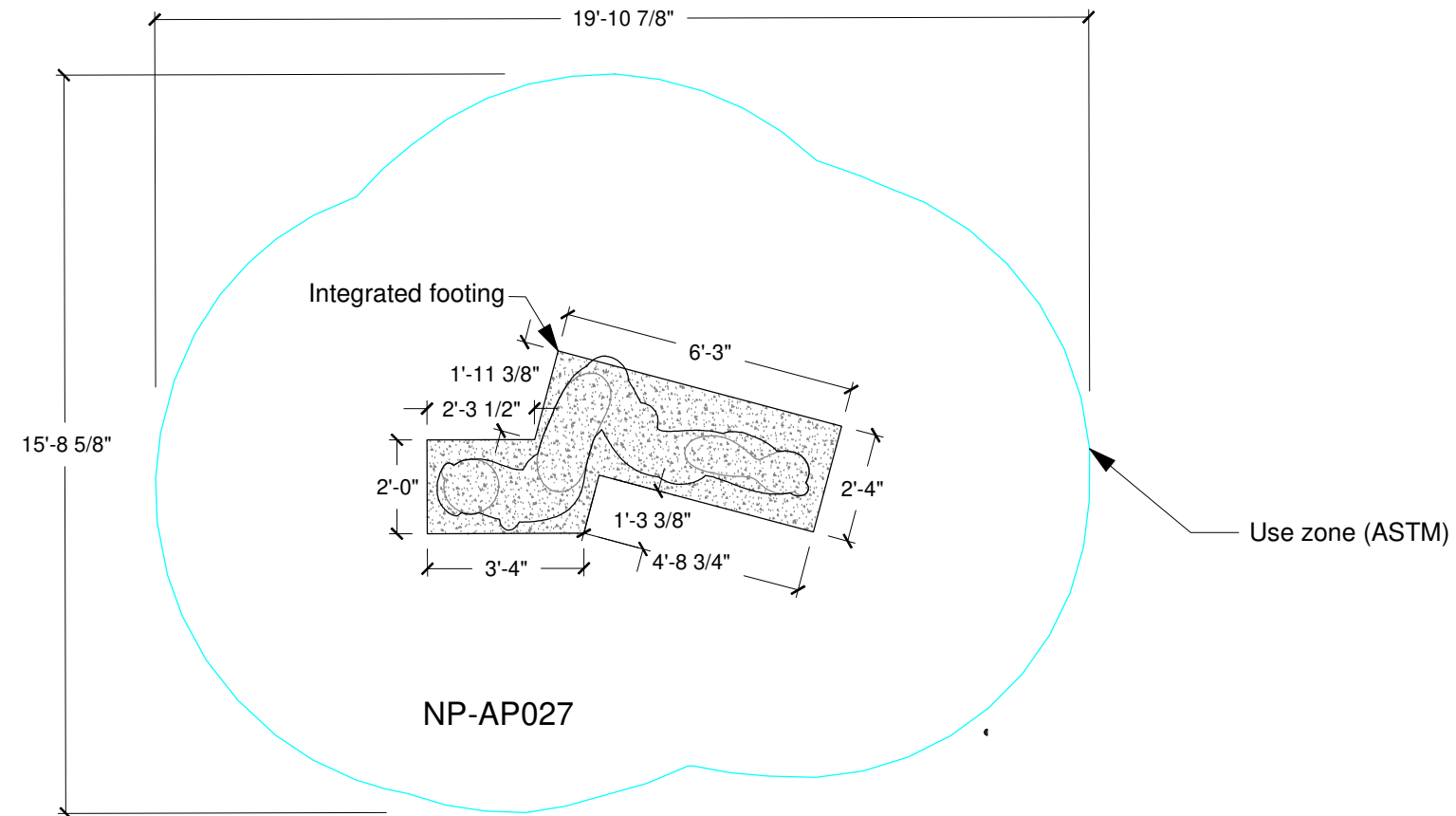
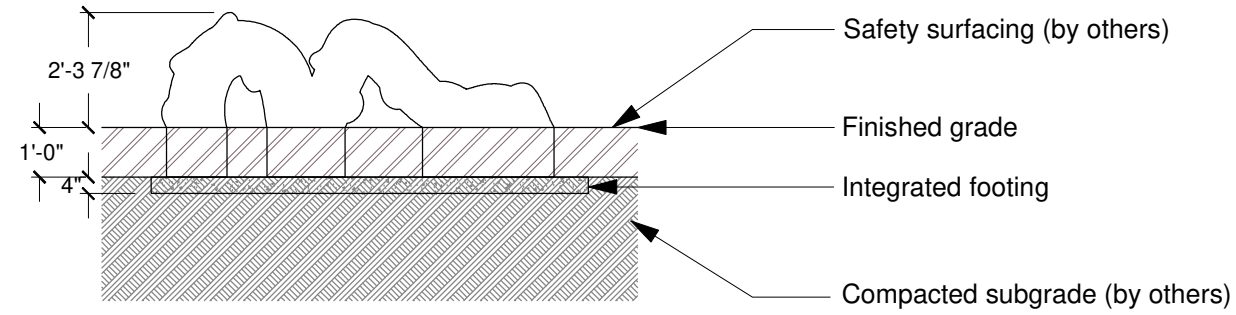


200-000-351

REVISION HISTORY

REV	DESCRIPTION	REF. No.	DATE	DRWN BY:	RWD BY:
0	Initial Release		-	-	



ENGINEERING SEAL:

CLIENT:

PROJECT NAME:

PRODUCT NO:  
**NP-AP027**

DRAWING TITLE:  
**ASTM 2D LAYOUT**

REV:	SHEET:	SHEET SIZE:	SCALE:
0	1 OF 1	PA3	NTS

DESIGNED BY: \_\_\_\_\_ DATE: YYYY-MM-DD

DRAWN BY: \_\_\_\_\_ DATE: YYYY-MM-DD

CHECKED BY: \_\_\_\_\_ DATE: \_\_\_\_\_

CHECKED BY: \_\_\_\_\_ DATE: \_\_\_\_\_

REVIEWED BY: \_\_\_\_\_ DATE: \_\_\_\_\_



Local: 613-446-0030  
 Toll free: 800-790-0034  
 Email: [info@dynamoplaygrounds.com](mailto:info@dynamoplaygrounds.com)  
 Fax: 613-446-0034  
 URL: [www.dynamoplaygrounds.com](http://www.dynamoplaygrounds.com)