

REVISION HISTORY					
REV	DESCRIPTION	REF. No.	DATE	DRWN BY:	RWD BY:
0	Initial Release by Design Team	-	2018-10-11	-	-
1	Foundation specs moved to separate drawing. Title block information updated	WO# 497	2020-05-20	WM	-

ENGINEERING SEAL:

CLIENT: STOCK
 PROJECT NAME: STOCK
 PRODUCT NO: NP-AP001

DRAWING TITLE:
COBWEB HOLLOW EN USE ZONE DRAWING

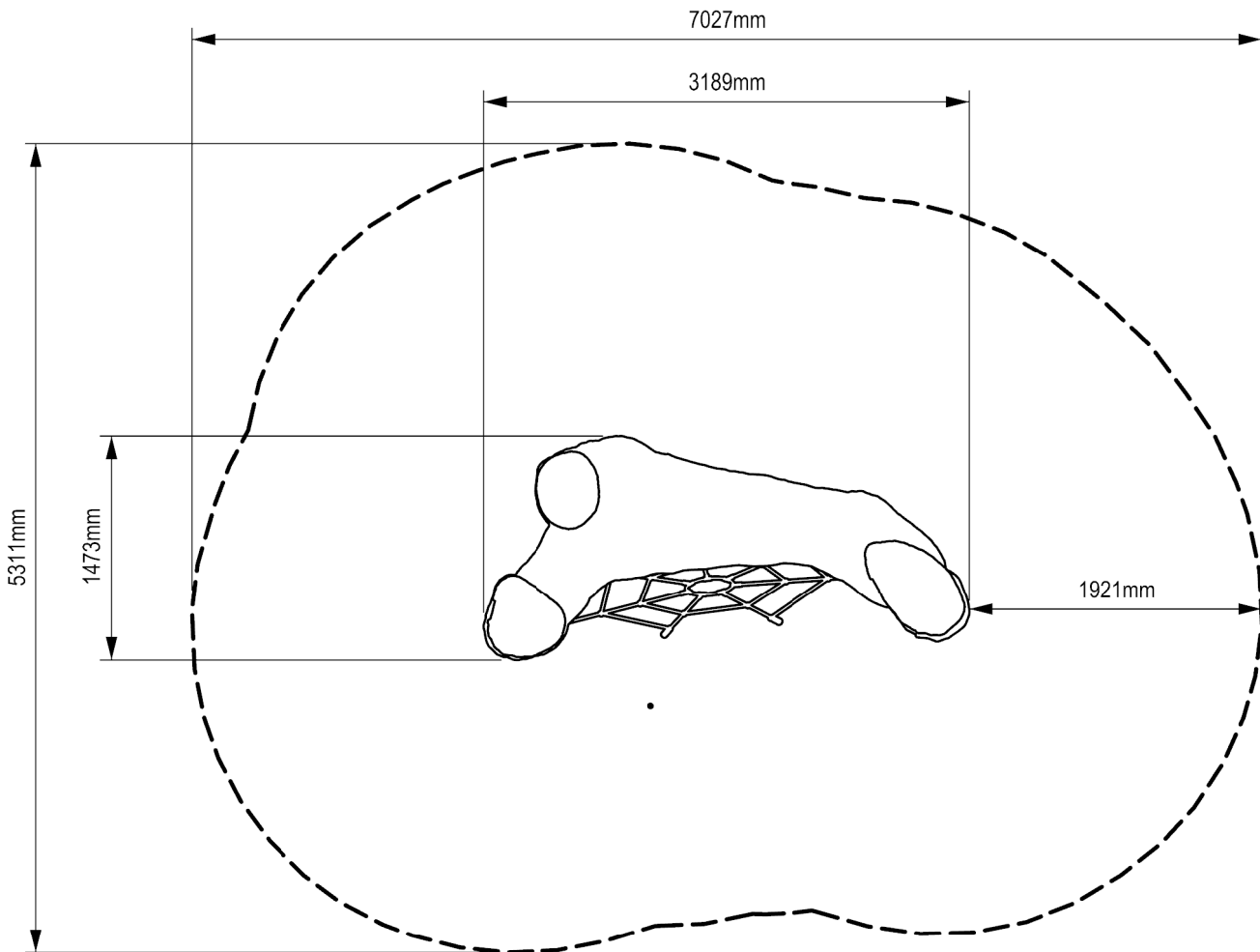
REV: 1	SHEET: 1 OF 1	SHEET SIZE: PA3	SCALE: NTS
--------	---------------	-----------------	------------

DESIGNED BY:	DATE:
DRAWN BY: XX	DATE: 2018-10-11
CHECKED BY:	DATE:
REVIEWED BY:	DATE:
APPROVED BY:	DATE:

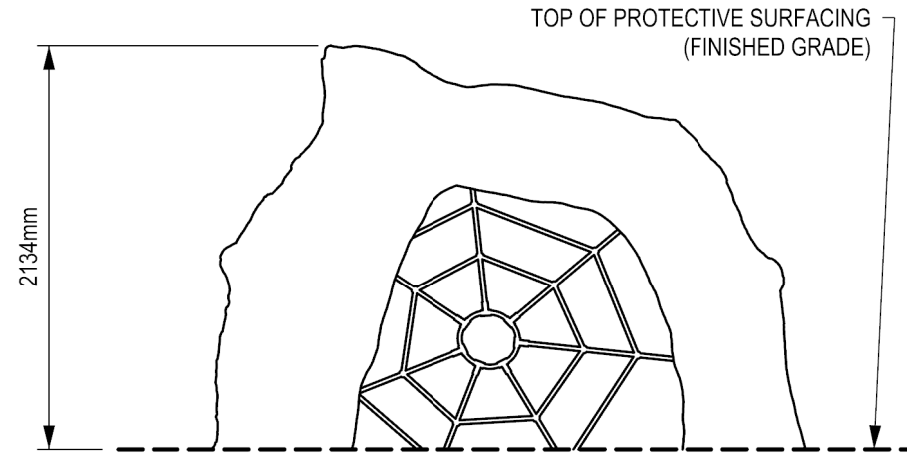
DYNAMO
PLAYGROUNDS



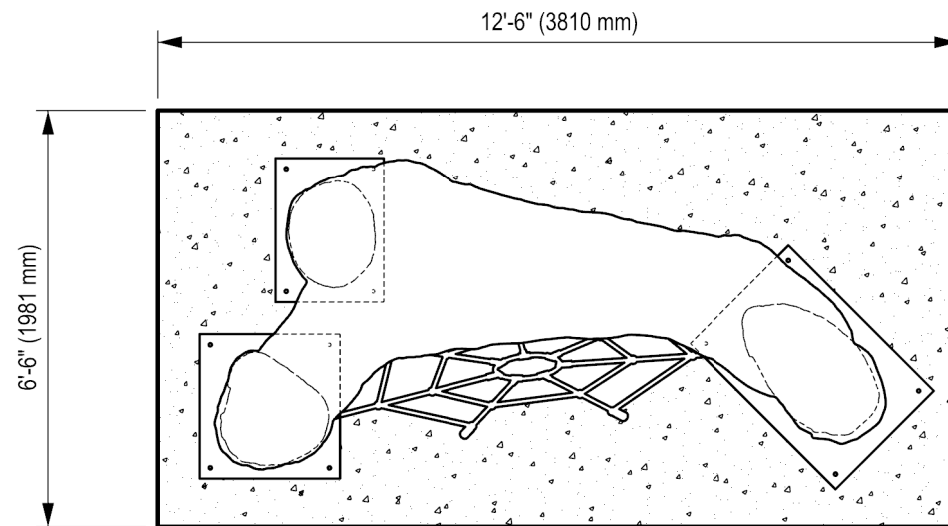
Local: 613-446-0030
 Toll free: 800-790-0034
 Email: info@dynamoplaygrounds.com
 Fax: 613-446-0034
 URL: www.dynamoplaygrounds.com



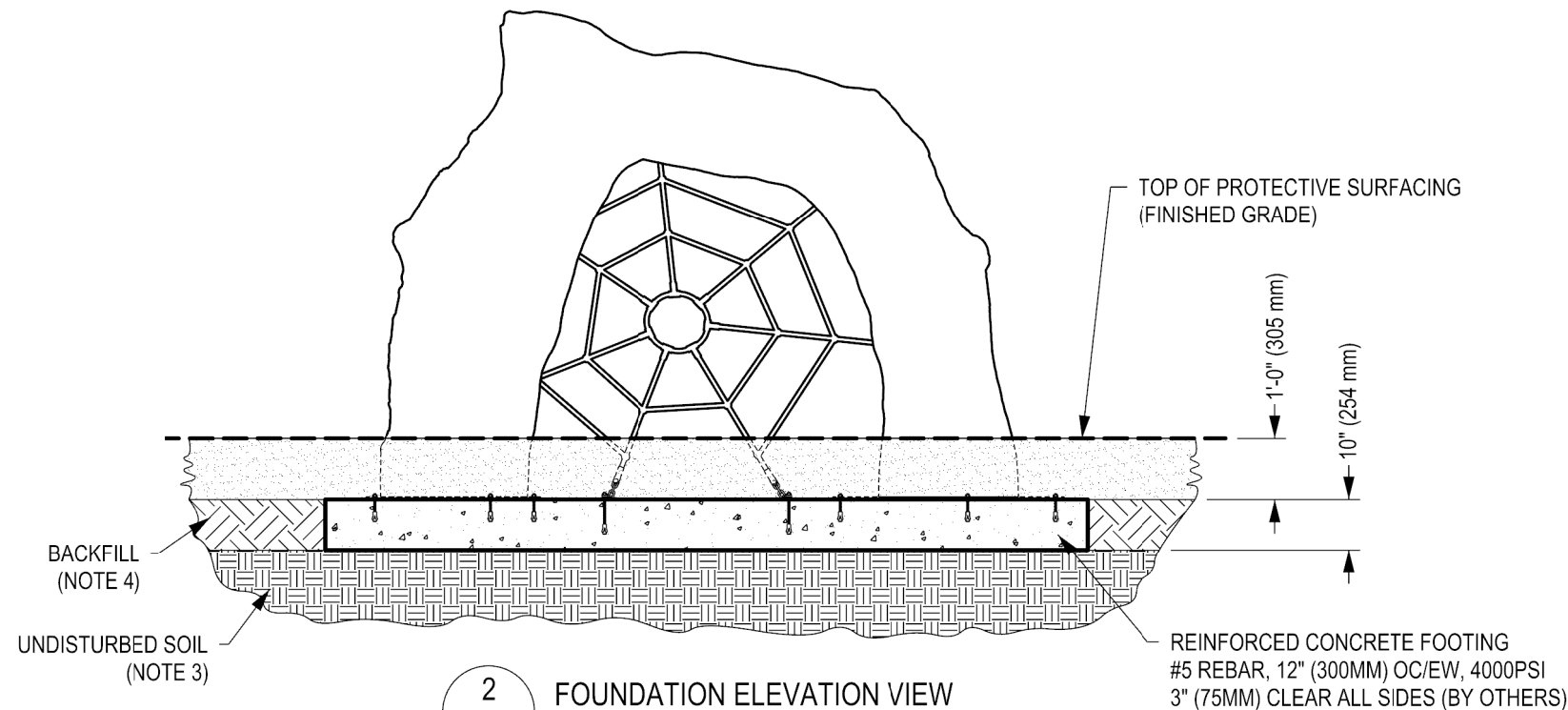
1 EN USE ZONE PLAN VIEW



2 ELEVATION VIEW




1 FOUNDATION PLAN VIEW



2 FOUNDATION ELEVATION VIEW

GENERAL NOTES:

1. THE FOUNDATION IN THE DRAWING TO BE USED AS A MINIMUM GUIDELINE. CHECK WITH LOCAL ENGINEERS
2. THE CONCRETE SHALL BE GRADE C28 (CHARACTERISTIC STRENGTH OF 4000 PSI AT 28 DAYS) MINIMUM.
3. THE FOUNDATION SHALL BE PLACED ON FIRM, UNDISTURBED SOIL SURFACE. WHEREVER EXCAVATION OCCURS BELOW THE DESIGNED FOUNDATION LEVEL, WELL COMPACTED BACK FILL OR LEAN CONCRETE SHALL BE USED FOR LEVELING.
4. BACKFILLING FOR FOUNDATION SHALL BE PLACED EVENLY IN 6" (150mm) LAYERS. LAYERS SHALL BE WELL COMPACTED.
5. THE FOUNDATION DESIGN IS SUITABLE FOR SOIL WITH A BEARING CAPACITY OF 1600 PSF (80 KPA) AND ABOVE.
6. THE FOUNDATION DESIGN IS SUITABLE FOR SOIL WITH FROST LINE OF 4' (1200 MM) OR LESS.

DOCUMENT No:		200-001-073			
REVISION HISTORY					
REV	DESCRIPTION	REF. No.	DATE	DRWN BY:	RWD BY:
0	Initial Release	WO# 497	2020-05-21	WM	
ENGINEERING SEAL:					
CLIENT: STOCK					
PROJECT NAME: STOCK					
PRODUCT NO: NP-AP001					
DRAWING TITLE: COBWEB HOLLOW FOUNDATION DRAWING					
REV:	SHEET:	SHEET SIZE:	SCALE:		
0	1 OF 1	PA3	NTS		
DESIGNED BY:		DATE:			
DRAWN BY: W. MCNAIR		DATE: 2020-05-21			
CHECKED BY:		DATE:			
REVIEWED BY:		DATE:			
APPROVED BY:		DATE:			
					
Local: 613-446-0030 Toll free: 800-790-0034 Email: info@dynamoplaygrounds.com Fax: 613-446-0034 URL: www.dynamoplaygrounds.com					