

DOCUMENT NO: 200-000-186

REV. NO.	DESCRIPTION/REFERENCE	DATE

DRAWING TITLE: SM ATOMNET SMALL  
ASTM USEZONE

PRODUCT NO:  
**DX -SM02**

	NAME	DATE
DESIGNER:		
DRAWN BY:	William McNair	2018-03-19
CHECKED BY:		
REVIEWED BY:		
APPROVED BY:		
SHEET SIZE:	PAGE NO:	SCALE:
PA3	1 of 1	NTS

**DYNAMO**  
PLAYGROUNDS



www.dynamoplaygrounds.com  
info@dynamoplaygrounds.com  
Toll free: 800-790-0034  
Local: 613-446-0030  
Fax: 613-446-0034

REV. NO.	DESCRIPTION/REFERENCE	DATE
----------	-----------------------	------

**General Notes:**

1. THE FOUNDATION IN THE DRAWING TO BE USED AS A MINIMUM GUIDELINE.
2. THE CONCRETE SHALL BE GRADE C25 (CHARACTERISTIC STRENGTH OF 3500 PSI AT 28 DAYS) MINIMUM.
3. THE FOUNDATION SHALL BE PLACED ON FIRM, UNDISTURBED SOIL SURFACE. WHEREVER EXCAVATION OCCURS BELOW THE DESIGNED FOUNDATION LEVEL, WELL COMPACTED BACK FILL OR LEAN CONCRETE SHALL BE USED FOR LEVELING.
4. BACKFILLING FOR FOUNDATION SHALL BE PLACED EVENLY IN LAYERS OF 6" (150mm) THICKNESS AND SHALL BE WELL COMPACTED.
5. THE FOUNDATION DESIGN IS SUITABLE FOR SOIL WITH A BEARING CAPACITY OF 1600 PSF (80 KPA) AND ABOVE.
6. THE FOUNDATION DESIGN IS SUITABLE FOR SOIL WITH FROST LINE OF 4' (1200 MM) OR LESS.

DRAWING TITLE: **SM Atom Net Small Foundation Drawing**

PRODUCT NO: **DX -SM02**

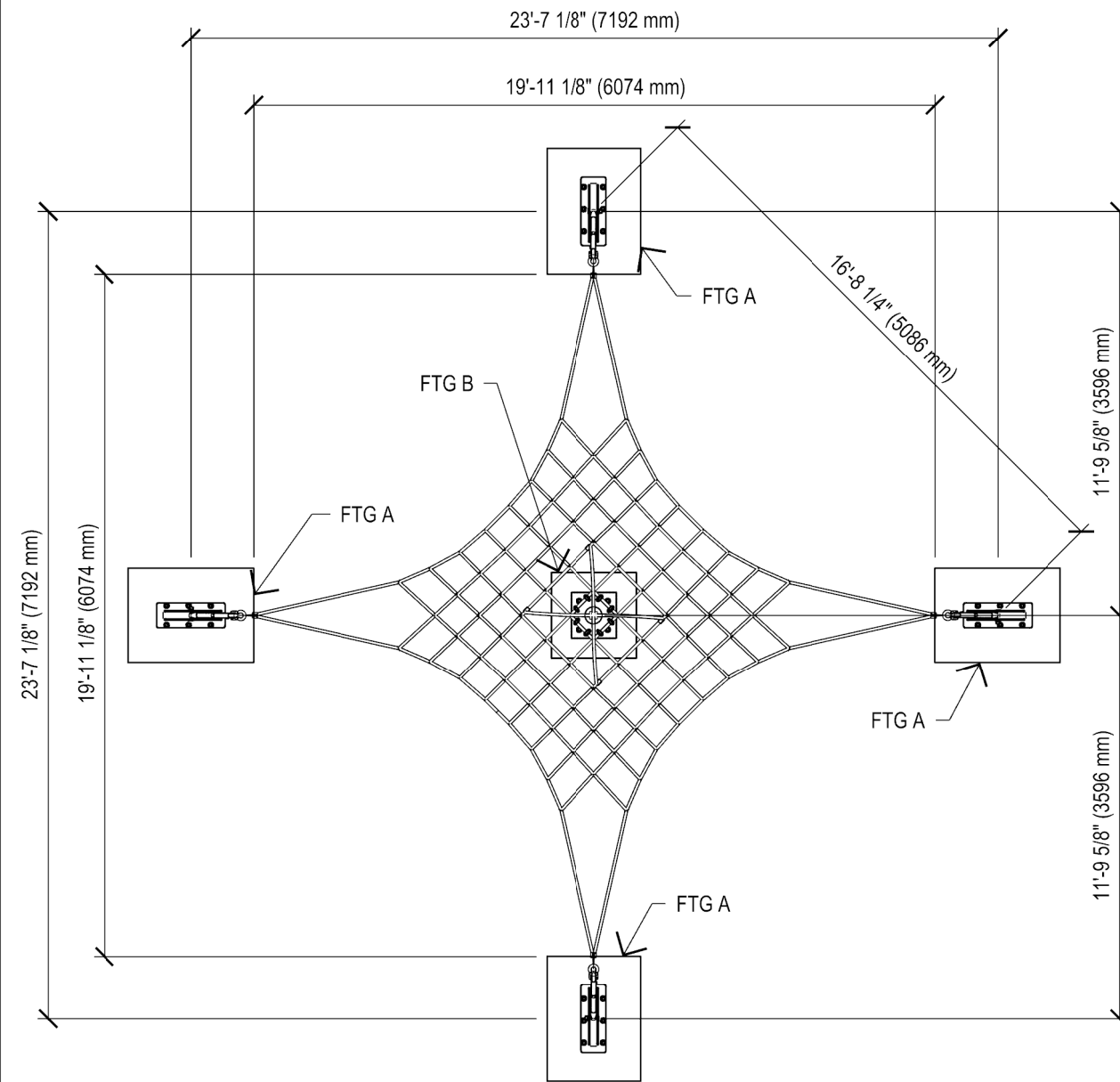
	NAME	DATE
DESIGNER:	Jason Zhai	2018-03-19
DRAWN BY:	William McNair	2018-03-19
CHECKED BY:		
REVIEWED BY:		
APPROVED BY:		

SHEET SIZE:	PAGE NO:	SCALE:
PA3	1 of 1	NTS

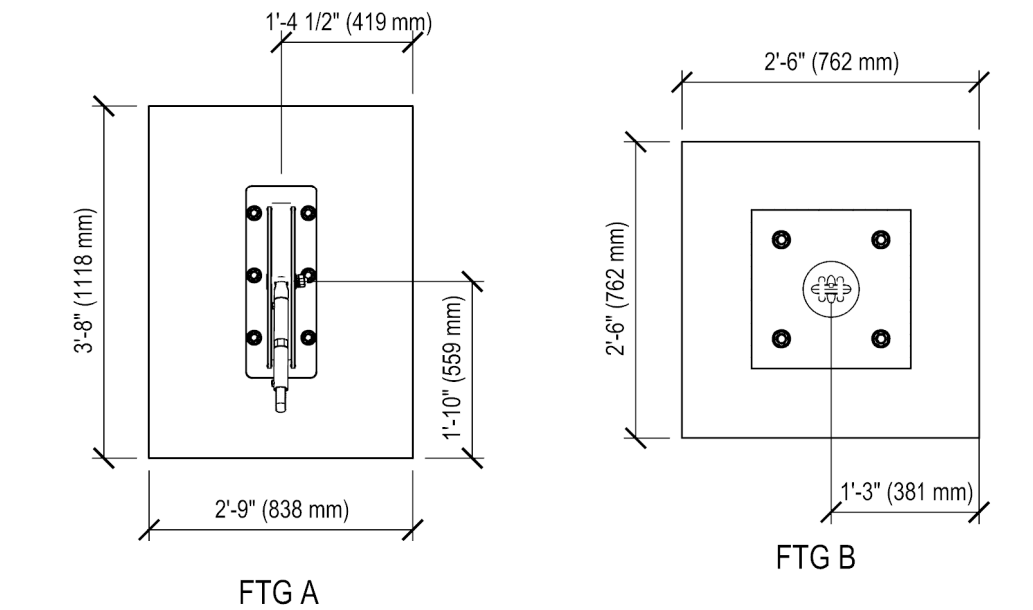
**DYNAMO**  
PLAYGROUNDS



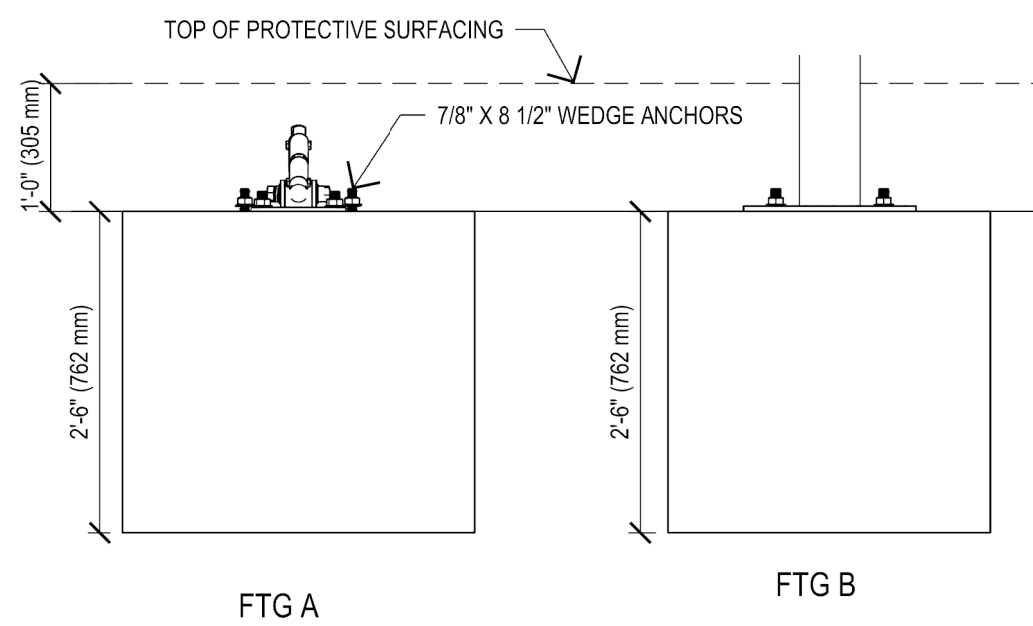
www.dynamoplaygrounds.com  
 info@dynamoplaygrounds.com  
 Toll free: 800-790-0034  
 Local: 613-446-0030  
 Fax: 613-446-0034



PLAN VIEW



FOOTING DETAIL - PLAN VIEW



FOOTING DETAIL - ELEVATION VIEW