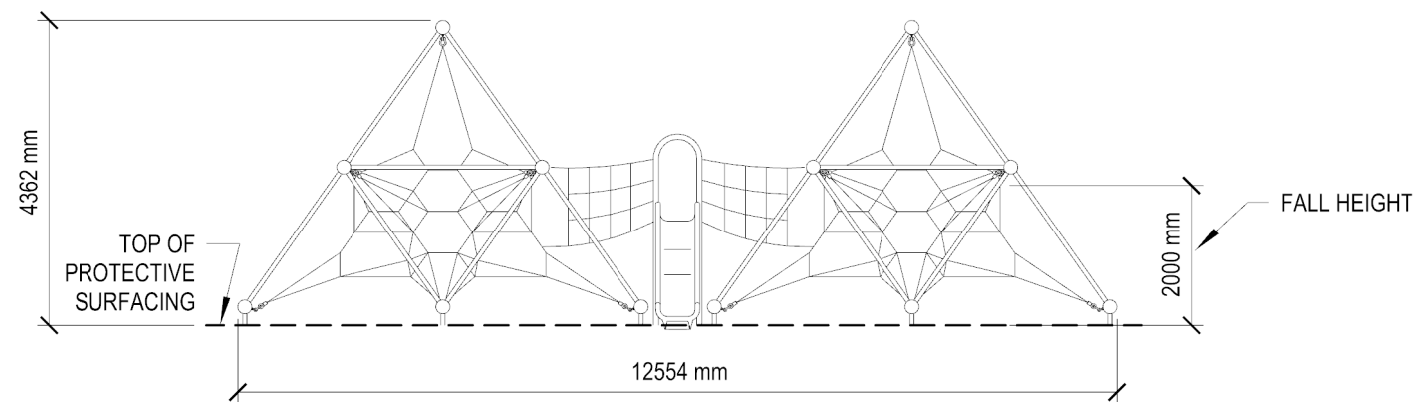


PLAN VIEW



SIDE ELEVATION VIEW

DOCUMENT NO: 200-000-086

REV. NO.	DESCRIPTION/REFERENCE	DATE
----------	-----------------------	------

CLIENT:

PROJECT NAME:

PROJECT ADDRESS:

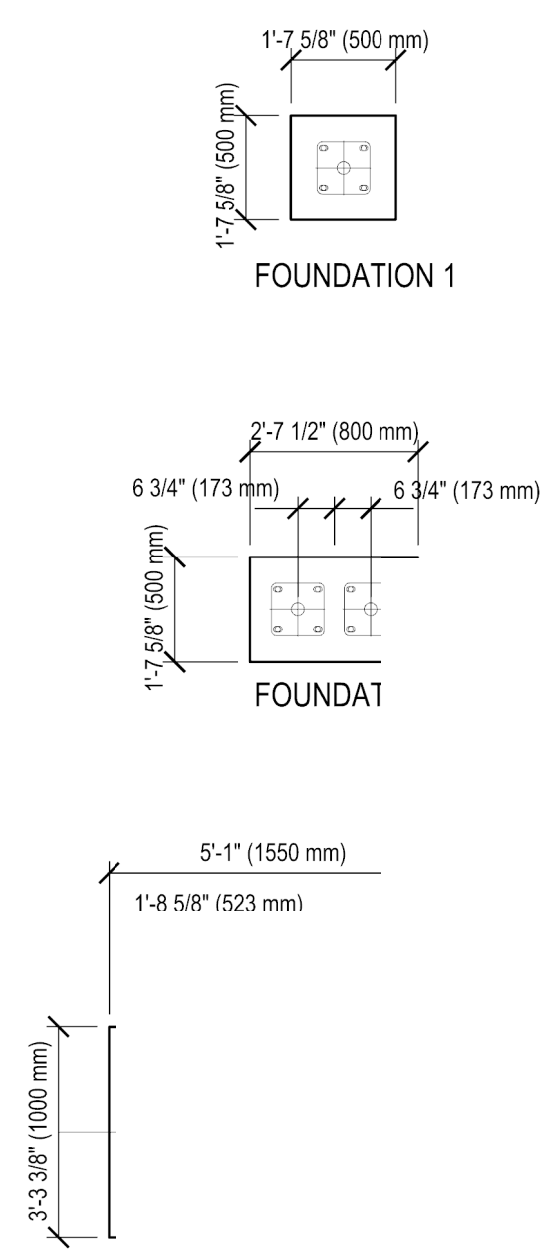
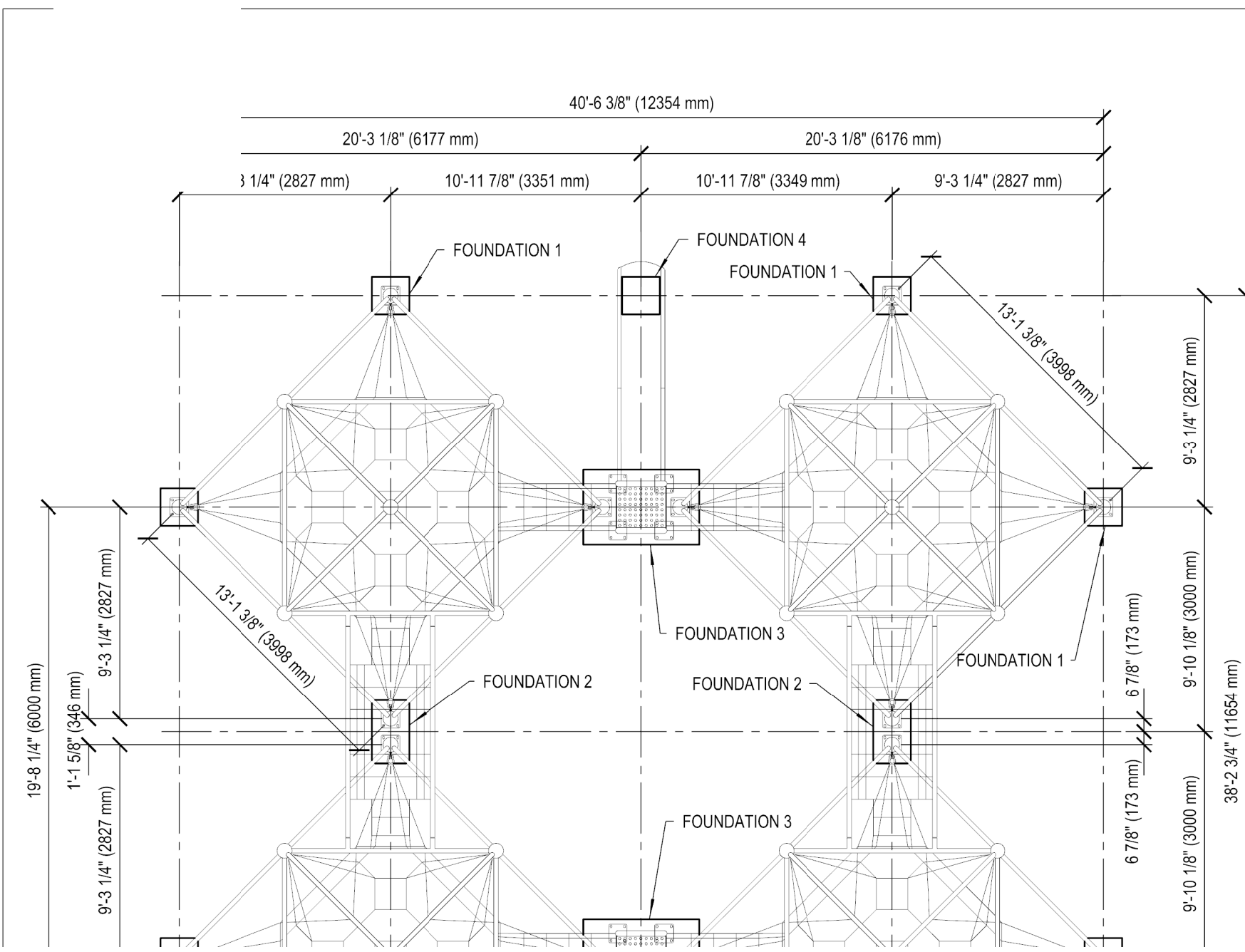
DRAWING TITLE:
METEOR QUARTET EN USE ZONE

PRODUCT NO:
DX-803-EX

	NAME	DATE
DESIGNER:		
DRAWN BY:	William McNair	2017-07-28
CHECKED BY:		
REVIEWED BY:		
APPROVED BY:		
SHEET SIZE:	PAGE NO:	SCALE:
PA3	1 of 1	NTS



www.dynamoplaygrounds.com
 info@dynamoplaygrounds.com
 Toll free: 800-790-0034
 Local: 613-446-0030
 Fax: 613-446-0034



DOCUMENT NO: 200-000-078	
REV. NO.	DESCRIPTION/REFERENCE
A	-Imperial units added. -Broken into two pages for clarity. -Use zone removed and added to a separate drawing (William McNair)
DATE: 2017-07-27	

TITLE: EOR QUARTET FOOTING LAYOUT

PROJECT NO: DX -803-EX

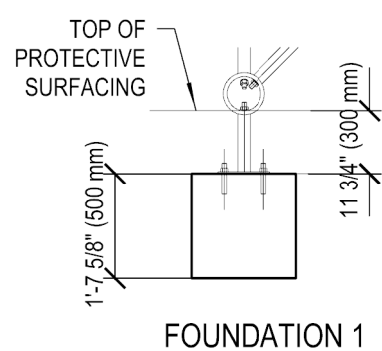
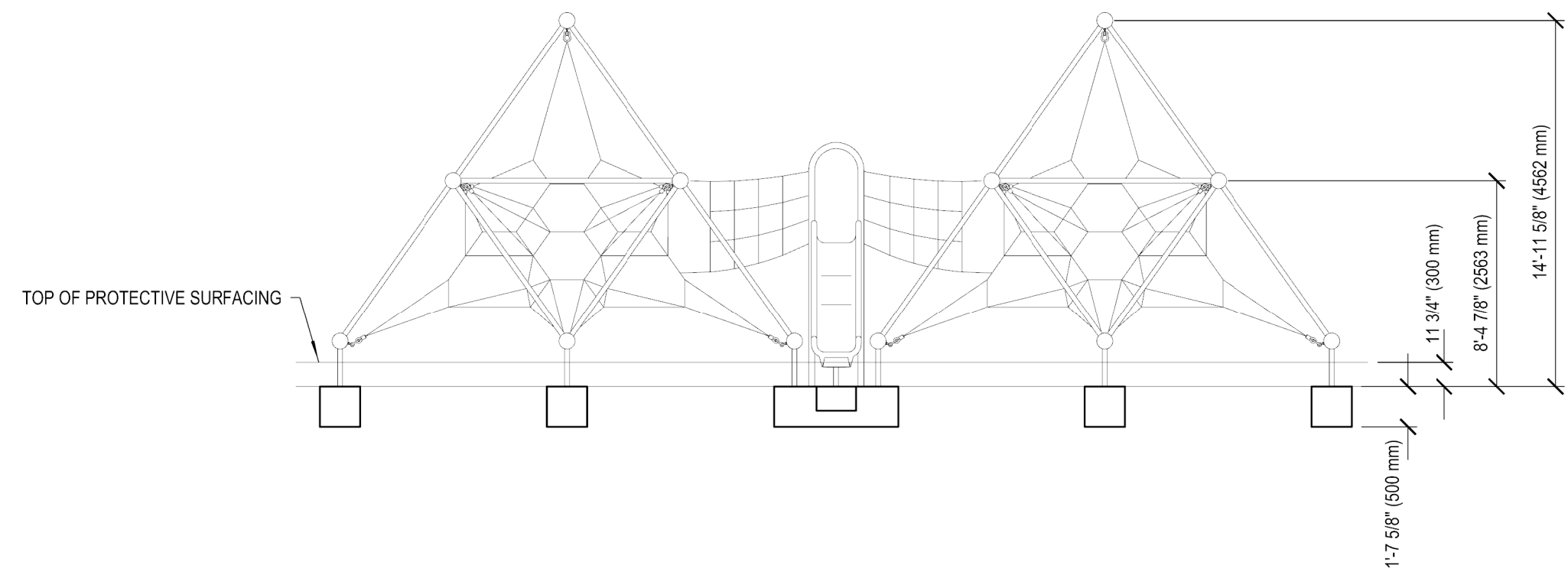
DATE
2001-09-05
2001-09-05

SCALE: NTS

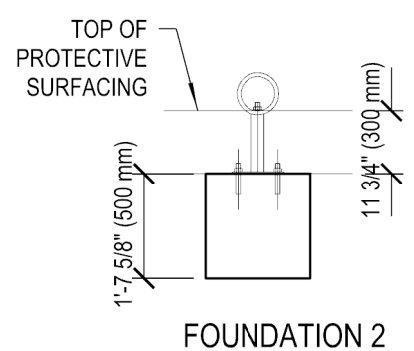
DYNAMO
PLAYGROUNDS

www.dynamoplaygrounds.com
info@dynamoplaygrounds.com
toll free: 800-790-0034
cal: 613-446-0030
tx: 613-446-0034

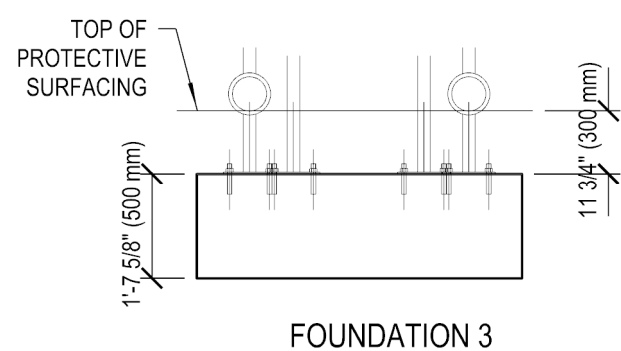
REV. NO.	DESCRIPTION/REFERENCE	DATE
A	-Imperial units added. -Broken into two pages for clarity. -Use zone removed and added to a separate drawing (William McNair)	2017-07-27



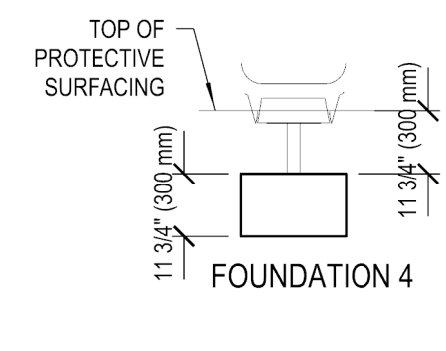
FOUNDATION 1



FOUNDATION 2



FOUNDATION 3



FOUNDATION 4

FRONT ELEVATION VIEW

CLIENT:
PROJECT NAME:
PROJECT ADDRESS:

DRAWING TITLE:
METEOR QUARTET FOOTING LAYOUT
PRODUCT NO:
DX -803-EX

	NAME	DATE
DESIGNER:	XXX	2001-09-05
DRAWN BY:	XXX	2001-09-05
CHECKED BY:		
REVIEWED BY:		
APPROVED BY:		
SHEET SIZE:	PAGE NO:	SCALE:
PA3	2 of 2	NTS

DYNAMO
PLAYGROUNDS

www.dynamoplaygrounds.com
info@dynamoplaygrounds.com
Toll free: 800-790-0034
Local: 613-446-0030
Fax: 613-446-0034