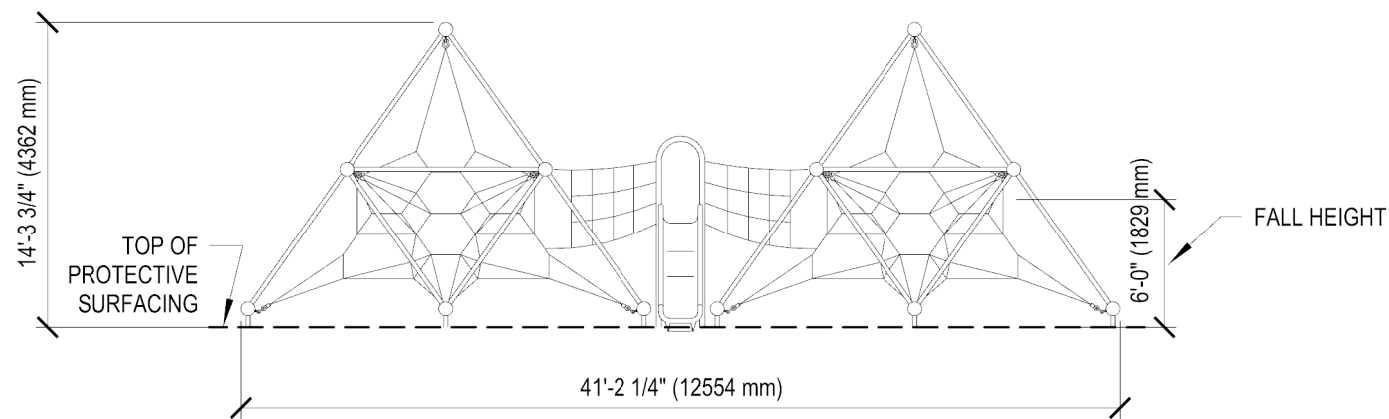


PLAN VIEW



SIDE ELEVATION VIEW

DOCUMENT NO: 200-000-084

REV. NO.	DESCRIPTION/REFERENCE	DATE

CLIENT:

PROJECT NAME:

PROJECT ADDRESS:

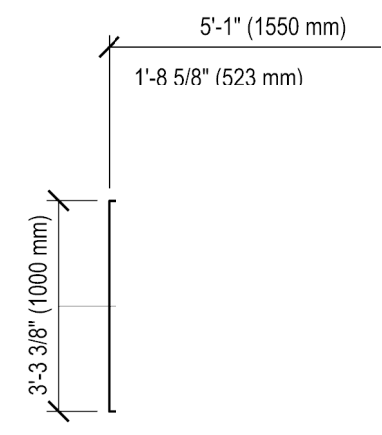
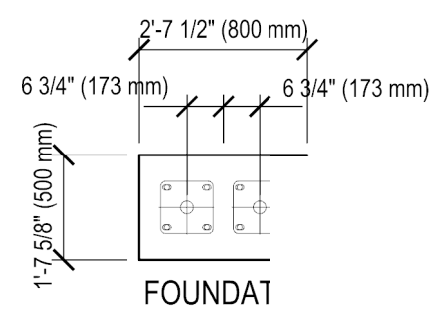
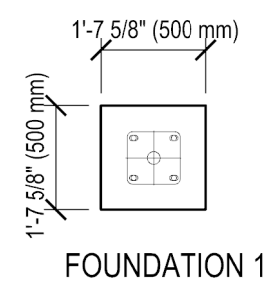
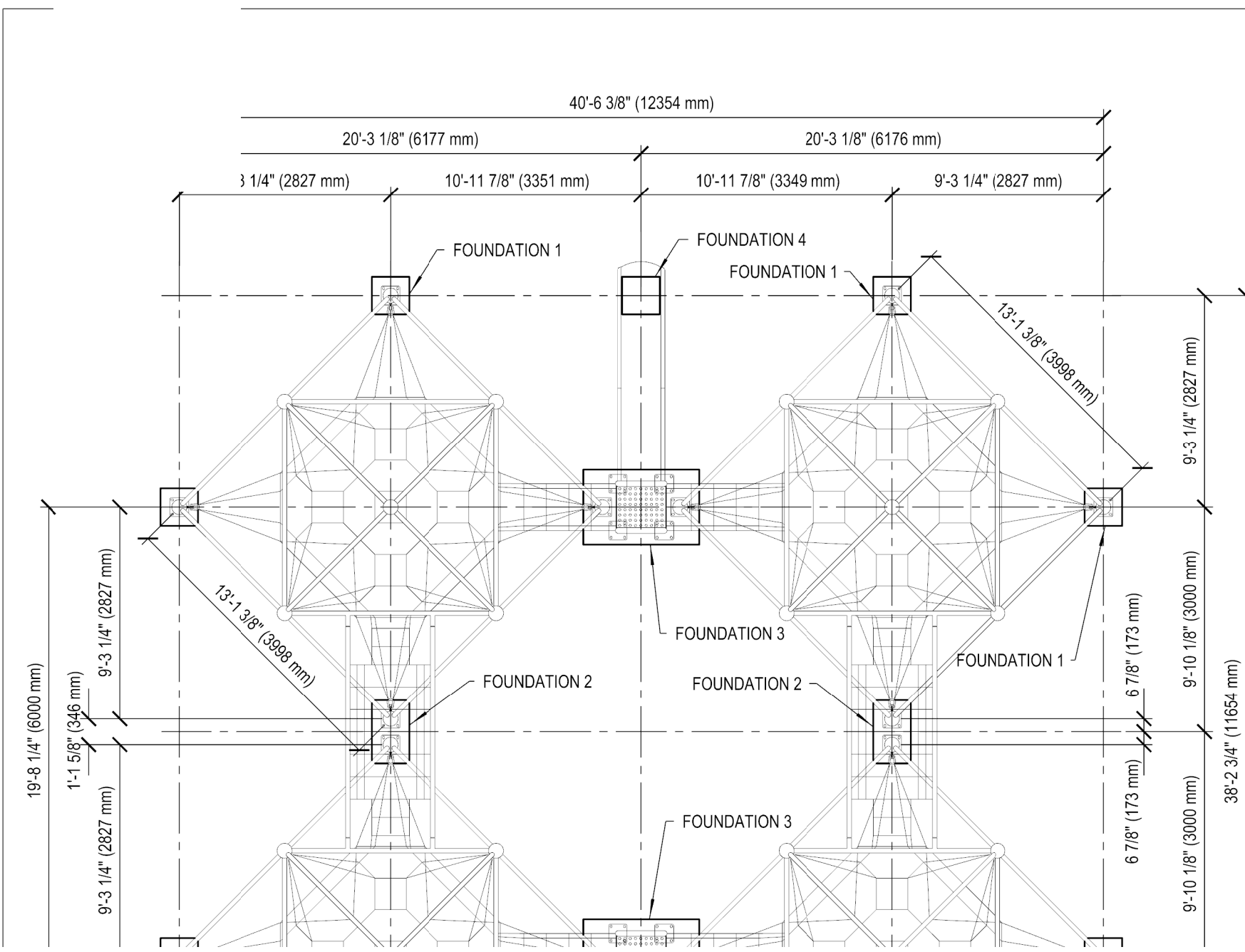
DRAWING TITLE:  
METEOR QUARTET CSA USE ZONE

PRODUCT NO:  
**DX-803-EX**

	NAME	DATE
DESIGNER:		
DRAWN BY:	William McNair	2017-07-28
CHECKED BY:		
REVIEWED BY:		
APPROVED BY:		
SHEET SIZE:	PAGE NO:	SCALE:
PA3	1 of 1	NTS



www.dynamoplaygrounds.com  
 info@dynamoplaygrounds.com  
 Toll free: 800-790-0034  
 Local: 613-446-0030  
 Fax: 613-446-0034



DOCUMENT NO: 200-000-078	
REV. NO.	DESCRIPTION/REFERENCE
A	-Imperial units added. -Broken into two pages for clarity. -Use zone removed and added to a separate drawing (William McNair)
DATE: 2017-07-27	

T:

ECT NAME:

CT ADDRESS:

ING TITLE:  
**FOR QUARTET FOOTING LAYOUT**

UCT NO:  
**DX -803-EX**

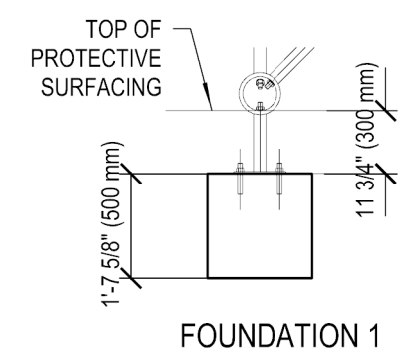
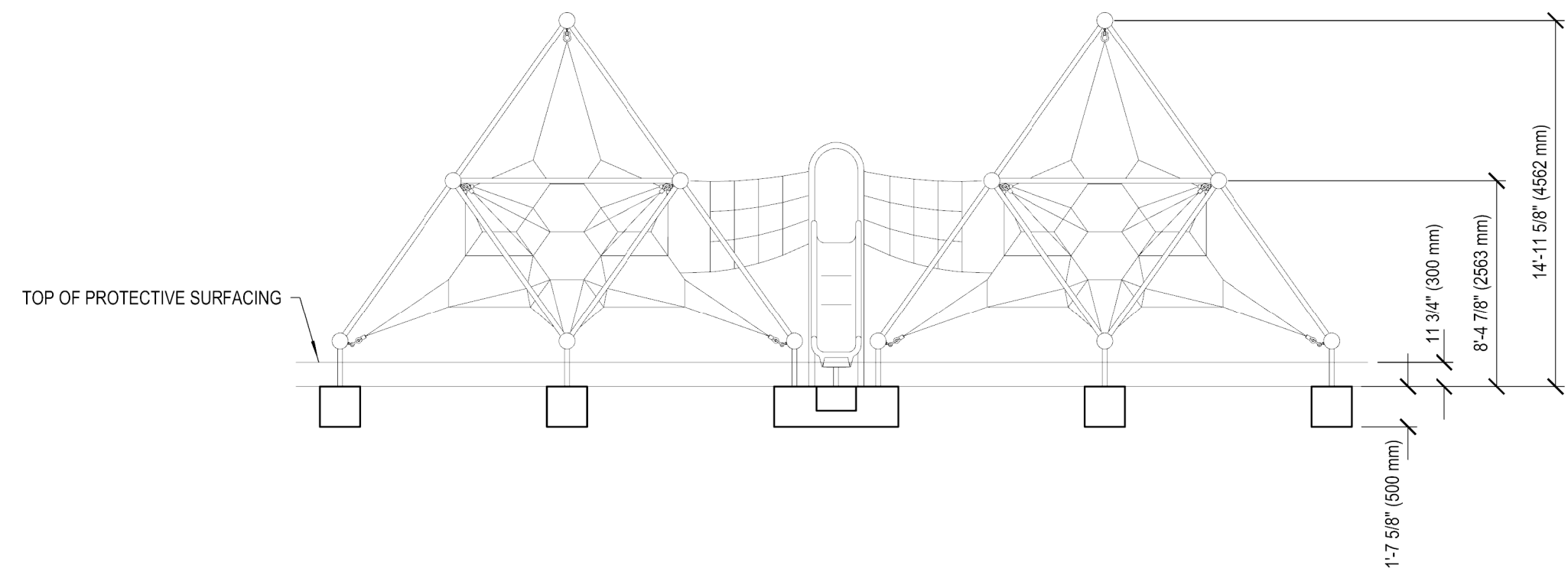
DATE
2001-09-05
2001-09-05

SCALE:  
**NTS**

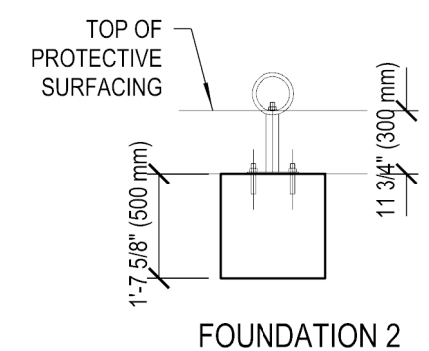
**DYNAMO**  
PLAYGROUNDS

www.dynamoplaygrounds.com  
info@dynamoplaygrounds.com  
toll free: 800-790-0034  
cal: 613-446-0030  
tx: 613-446-0034

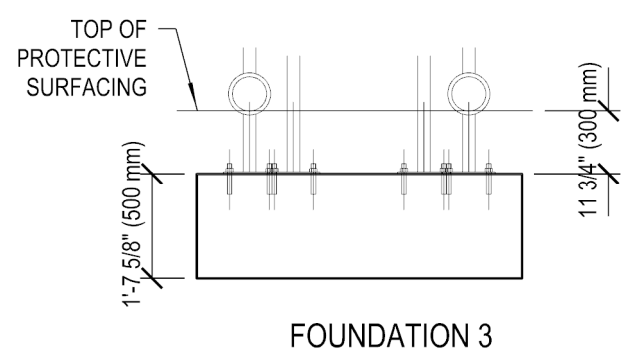
REV. NO.	DESCRIPTION/REFERENCE	DATE
A	-Imperial units added. -Broken into two pages for clarity. -Use zone removed and added to a separate drawing (William McNair)	2017-07-27



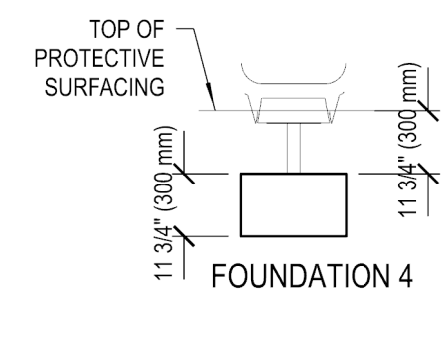
FOUNDATION 1



FOUNDATION 2



FOUNDATION 3



FOUNDATION 4

## FRONT ELEVATION VIEW

CLIENT:  
PROJECT NAME:  
PROJECT ADDRESS:

DRAWING TITLE:  
**METEOR QUARTET FOOTING LAYOUT**  
PRODUCT NO:  
**DX -803-EX**

	NAME	DATE
DESIGNER:	XXX	2001-09-05
DRAWN BY:	XXX	2001-09-05
CHECKED BY:		
REVIEWED BY:		
APPROVED BY:		
SHEET SIZE:	PAGE NO:	SCALE:
PA3	2 of 2	NTS

**DYNAMO**  
PLAYGROUNDS



www.dynamoplaygrounds.com  
info@dynamoplaygrounds.com  
Toll free: 800-790-0034  
Local: 613-446-0030  
Fax: 613-446-0034