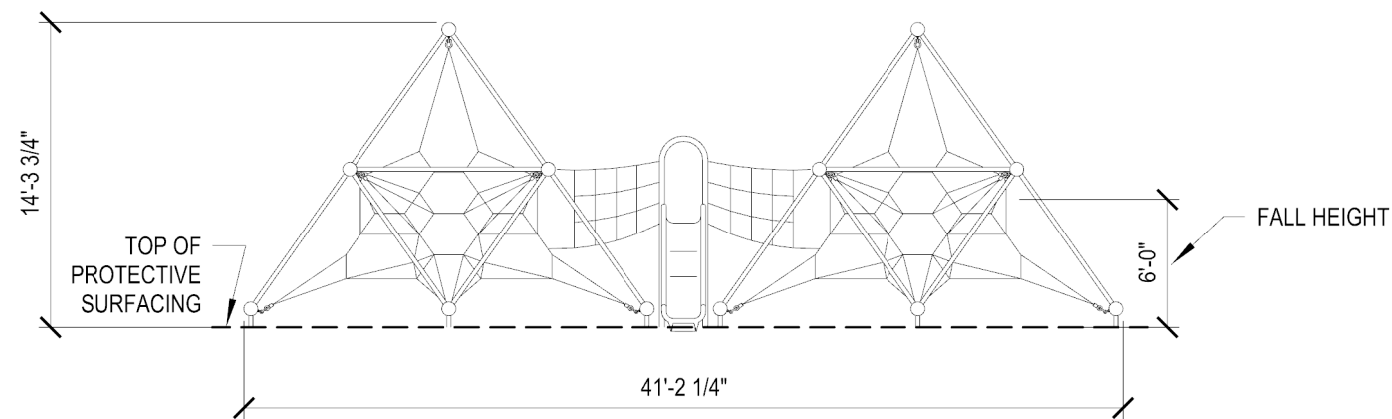


PLAN VIEW



SIDE ELEVATION VIEW

DOCUMENT NO: 200-000-079

REV. NO.	DESCRIPTION/REFERENCE	DATE
--	-Drawing created to separate usezone drawing from foundation (William McNair)	2017-07-24

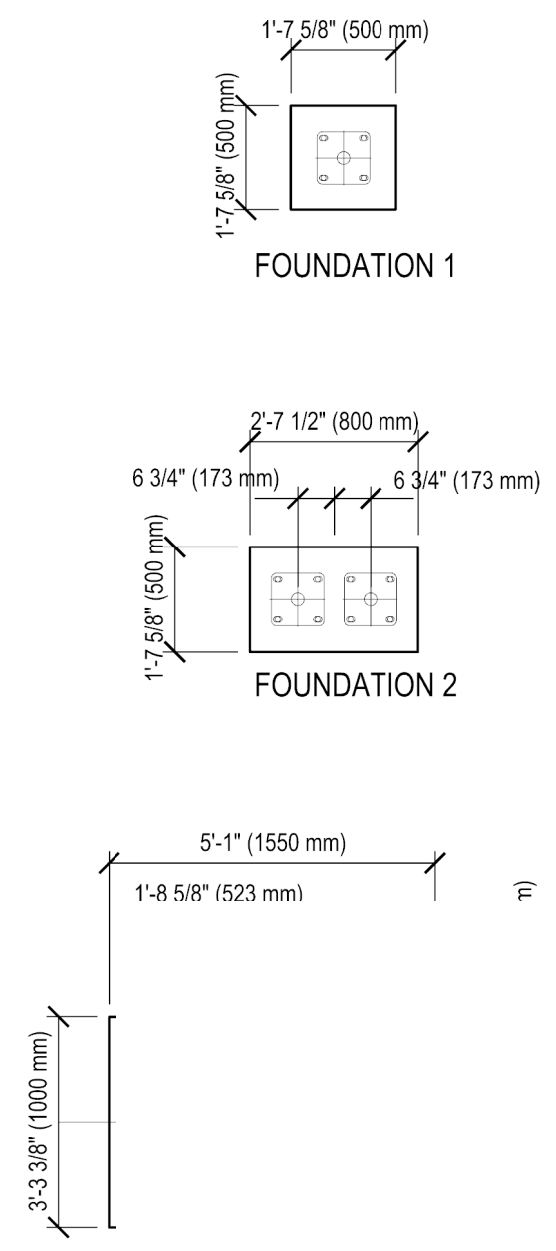
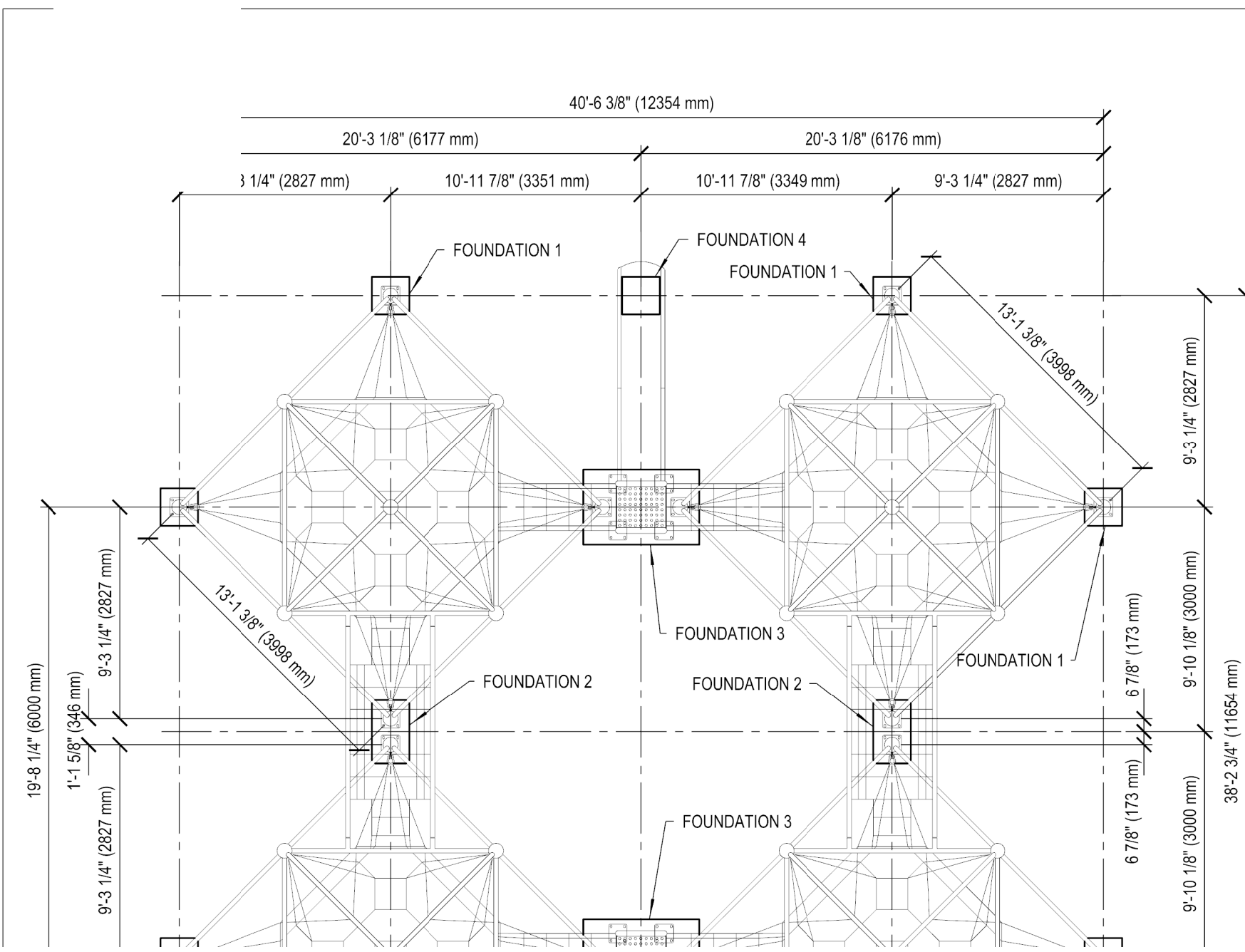
CLIENT:
PROJECT NAME:
PROJECT ADDRESS:

DRAWING TITLE:
METEOR QUARTET ASTM USE ZONE
PRODUCT NO:
DX-803-EX

	NAME	DATE
DESIGNER:		
DRAWN BY:	William McNair	2017-07-24
CHECKED BY:		
REVIEWED BY:		
APPROVED BY:		
SHEET SIZE:	PAGE NO:	SCALE:
PA3	1 of 1	NTS

DYNAMO
PLAYGROUNDS

www.dynamoplaygrounds.com
info@dynamoplaygrounds.com
Toll free: 800-790-0034
Local: 613-446-0030
Fax: 613-446-0034



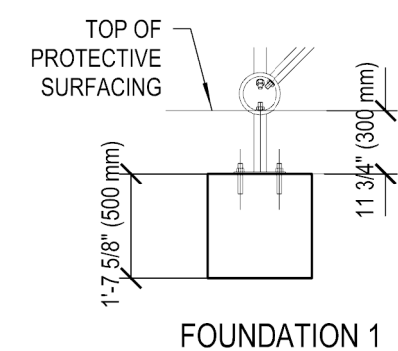
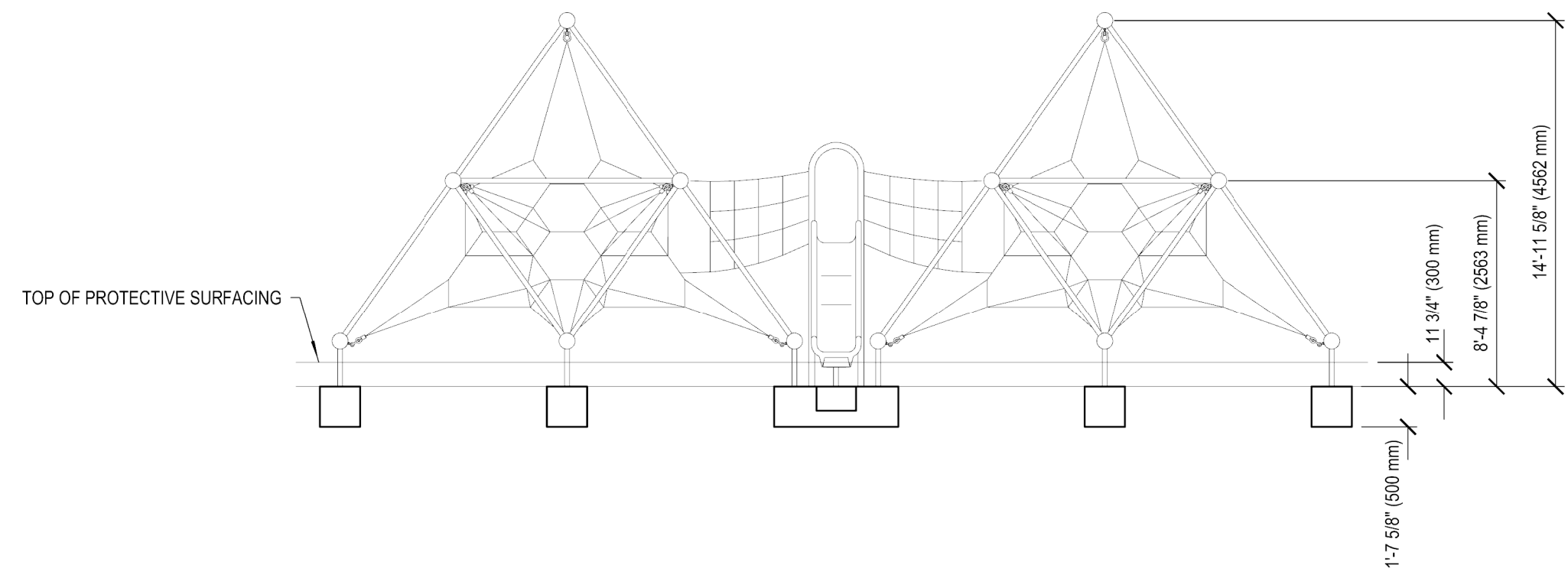
DOCUMENT NO: 200-000-078		
REV. NO.	DESCRIPTION/REFERENCE	DATE
A	-Imperial units added. -Broken into two pages for clarity. -Use zone removed and added to a separate drawing (William McNair)	2017-07-27
CLIENT:		
PROJECT NAME:		
PROJECT ADDRESS:		
DRAWING TITLE: FOR QUARTET FOOTING LAYOUT		
DRAWING NO: DX -803-EX		
DATE		
2001-09-05		
2001-09-05		
SCALE:		
NTS		

DYNAMO
PLAYGROUNDS

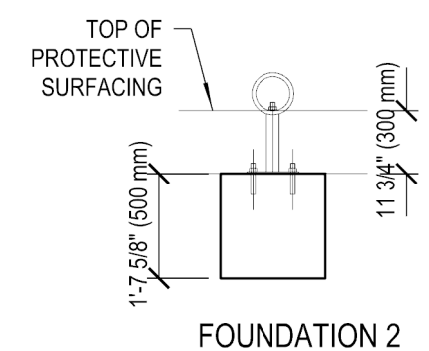
www.dynamoplaygrounds.com
info@dynamoplaygrounds.com
toll free: 800-790-0034
cal: 613-446-0030
tx: 613-446-0034

REV. NO.	DESCRIPTION/REFERENCE	DATE
----------	-----------------------	------

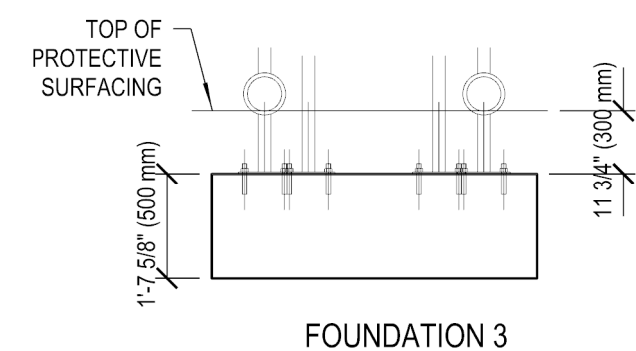
A	-Imperial units added. -Broken into two pages for clarity. -Use zone removed and added to a separate drawing (William McNair)	2017-07-27
---	--	------------



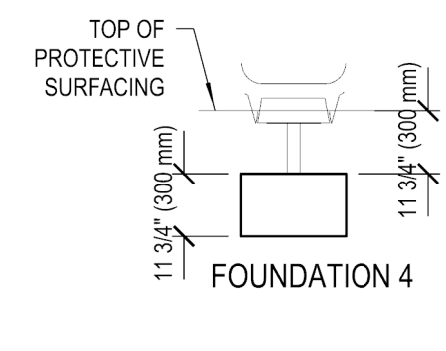
FOUNDATION 1



FOUNDATION 2



FOUNDATION 3



FOUNDATION 4

FRONT ELEVATION VIEW

CLIENT:
PROJECT NAME:
PROJECT ADDRESS:

DRAWING TITLE:
METEOR QUARTET FOOTING LAYOUT
PRODUCT NO:
DX -803-EX

	NAME	DATE
DESIGNER:	XXX	2001-09-05
DRAWN BY:	XXX	2001-09-05
CHECKED BY:		
REVIEWED BY:		
APPROVED BY:		
SHEET SIZE:	PAGE NO:	SCALE:
PA3	2 of 2	NTS

DYNAMO
PLAYGROUNDS



www.dynamoplaygrounds.com
info@dynamoplaygrounds.com
Toll free: 800-790-0034
Local: 613-446-0030
Fax: 613-446-0034