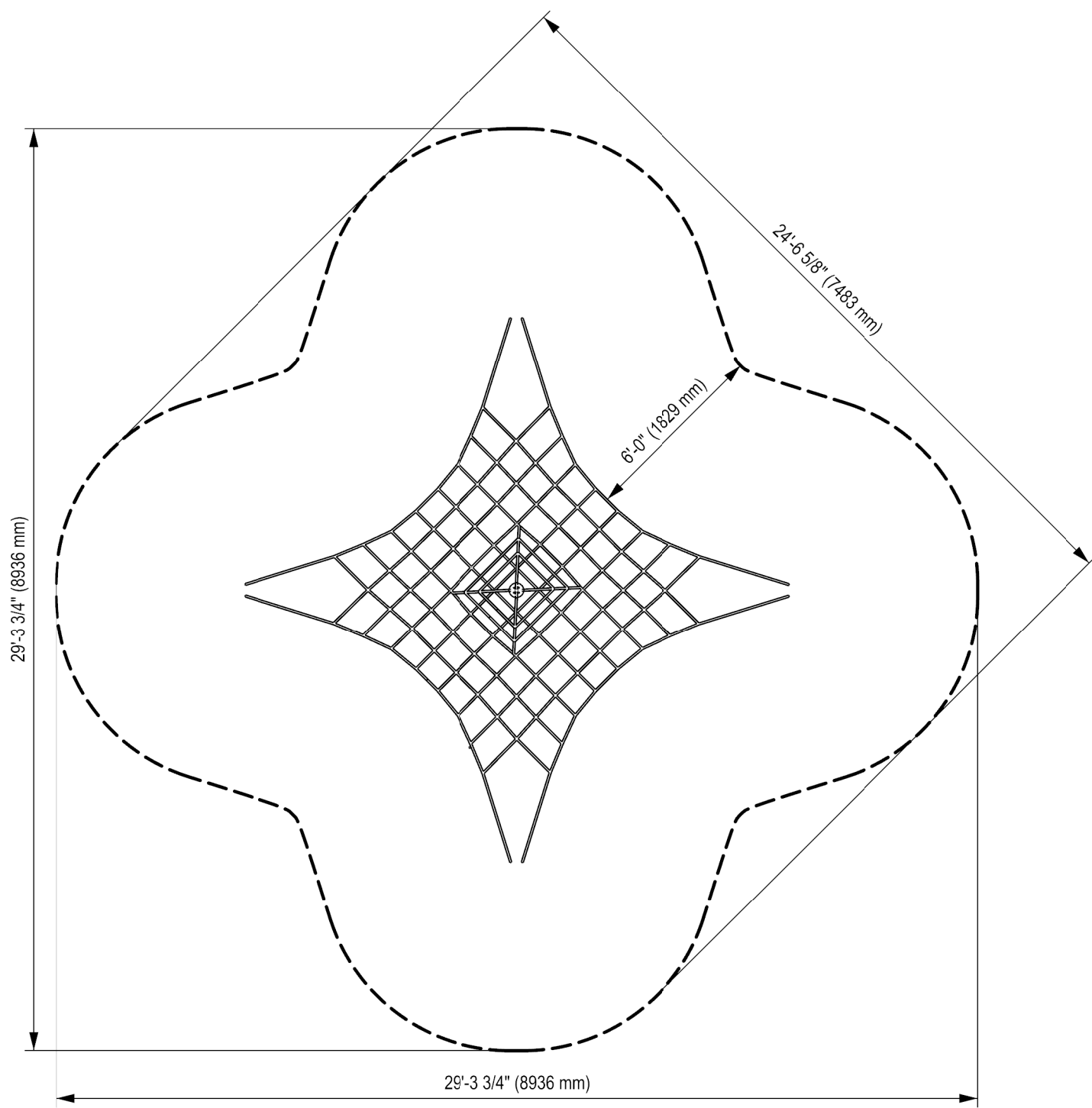
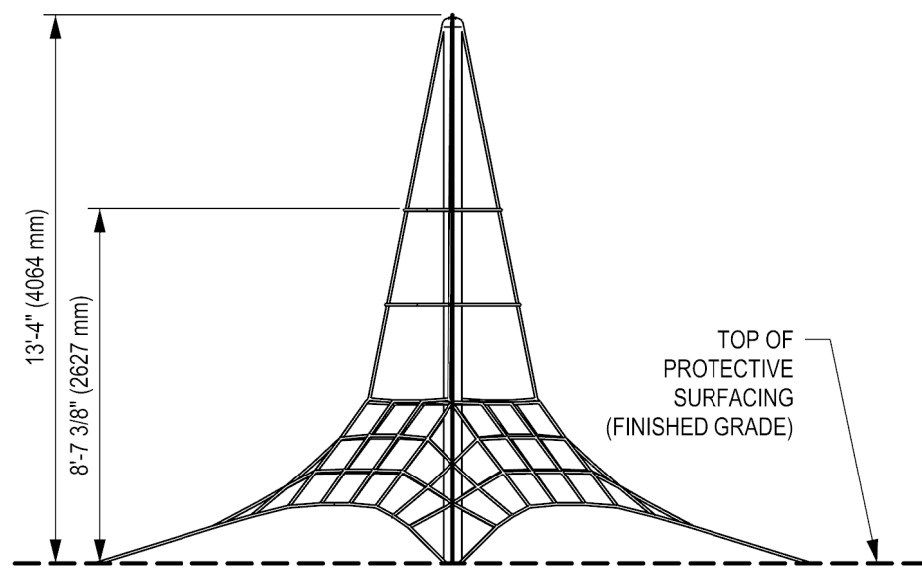


REVISION HISTORY					
REV	DESCRIPTION	REF. No.	DATE	DRWN BY:	RWD BY:
0	Initial Release	xx	2016-07-29	JC	
1	Redrawn for design update	WO# 1656D	2018-08-14	WMc	



ASTM USE ZONE - PLAN VIEW



ELEVATION VIEW

CLIENT:

PROJECT NAME:

PRODUCT NO:
DX-SM04

DRAWING TITLE:
SM ATOMNET TS ASTM
USE ZONE DRAWING

REV:	SHEET:	SHEET SIZE:	SCALE:
1	1 OF 1	PA3	NTS

DESIGNED BY: J. CARRUTHERS DATE: 2016-07-29

DRAWN BY: JC / WMc DATE: 2018-08-14

CHECKED BY: DATE:

REVIEWED BY: DATE:

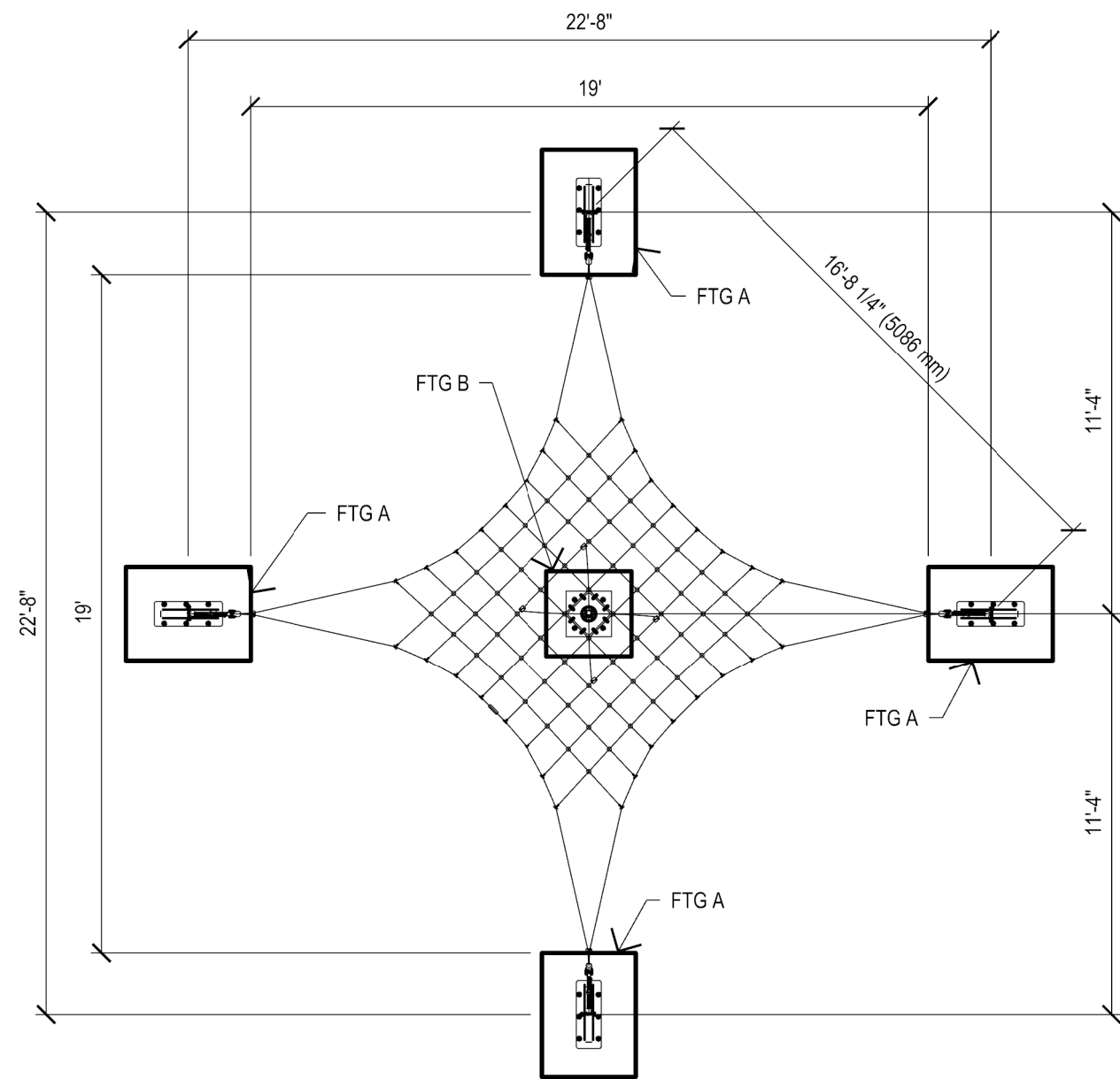
APPROVED BY: DATE:

DYNAMO
PLAYGROUNDS

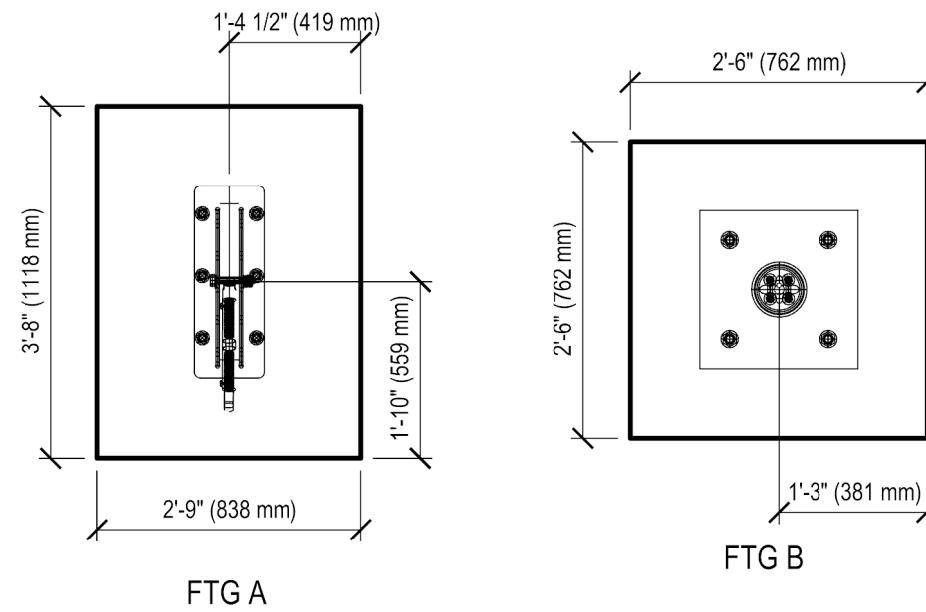


Local: 613-446-0030
Toll free: 800-790-0034
Email: info@dynamoplaygrounds.com
Fax: 613-446-0034
URL: www.dynamoplaygrounds.com

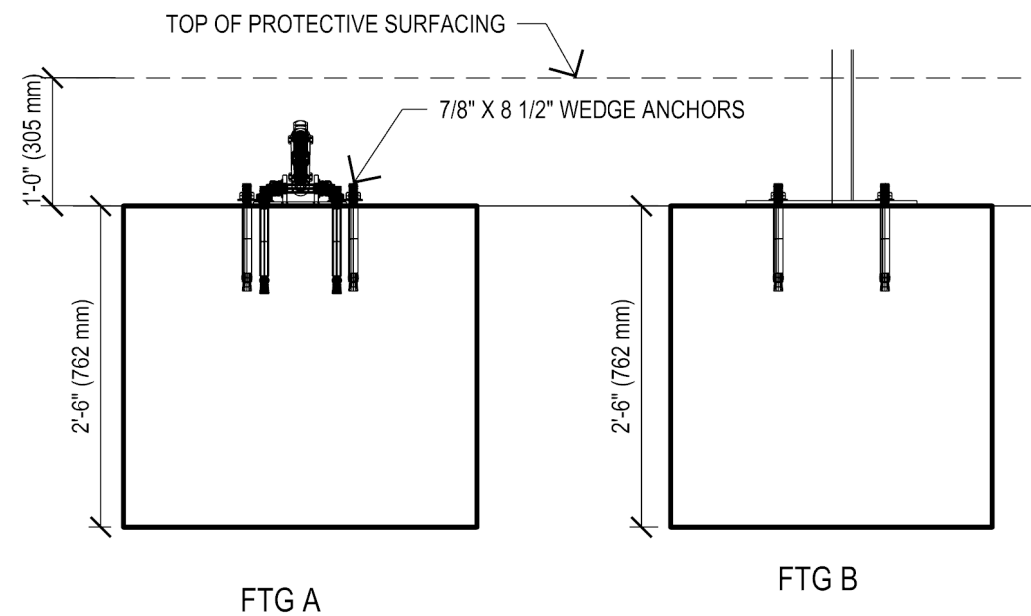
REV. NO.	DESCRIPTION/REFERENCE	DATE
----------	-----------------------	------



PLAN VIEW



FOOTING DETAIL - PLAN VIEW



FOOTING DETAIL - ELEVATION VIEW

General Notes:

1. THE FOUNDATION IN THE DRAWING TO BE USED AS A MINIMUM GUIDELINE.
2. THE CONCRETE SHALL BE GRADE C25 (CHARACTERISTIC STRENGTH OF 3500 PSI AT 28 DAYS) MINIMUM.
3. THE FOUNDATION SHALL BE PLACED ON FIRM, UNDISTURBED SOIL SURFACE. WHEREVER EXCAVATION OCCURS BELOW THE DESIGNED FOUNDATION LEVEL, WELL COMPACTED BACK FILL OR LEAN CONCRETE SHALL BE USED FOR LEVELING.
4. BACKFILLING FOR FOUNDATION SHALL BE PLACED EVENLY IN LAYERS OF 6" (150mm) THICKNESS AND SHALL BE WELL COMPACTED.
5. THE FOUNDATION DESIGN IS SUITABLE FOR SOIL WITH A BEARING CAPACITY OF 1600 PSF (80 KPA) AND ABOVE.
6. THE FOUNDATION DESIGN IS SUITABLE FOR SOIL WITH FROST LINE OF 4' (1200 MM) OR LESS.

DRAWING TITLE: **SM 04**
Foundation Drawing

PRODUCT NO: **DX -SM04**

	NAME	DATE
DESIGNER:	Jason Zhai	2018-03-19
DRAWN BY:	William McNair	2018-03-19
CHECKED BY:		
REVIEWED BY:		
APPROVED BY:		
SHEET SIZE:	PAGE NO:	SCALE:
PA3	1 of 1	NTS