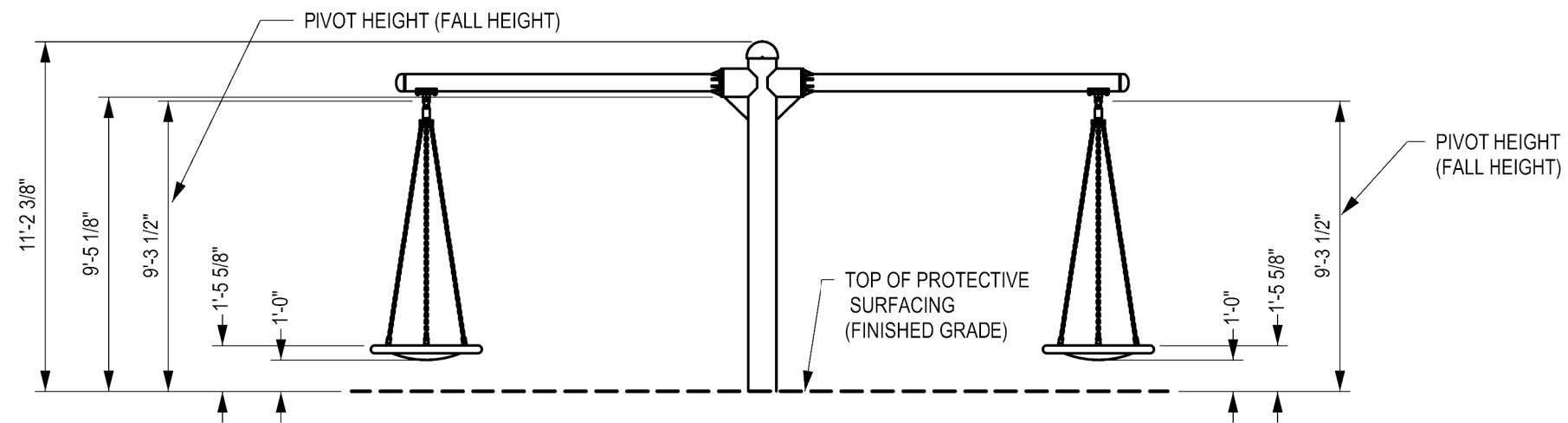


ASTM USE ZONE - PLAN VIEW



ELEVATION VIEW

DOCUMENT No: 200-000-469

REVISION HISTORY					
REV	DESCRIPTION	REF. No.	DATE	DRWN BY:	RWD BY:
0	INITIAL RELEASE	-	2018-11-01	JZ	
1	UPDATED CAD TO INVENTOR VERSION. REMOVED THE COLOUR. FOUNDATION INFORMATION REMOVED TO SEPERATE DOCUMENT	WO# 2158D	2019-04-12	WMc	

ENGINEERING SEAL:

CLIENT: STOCK

PROJECT NAME: STOCK

PRODUCT NO: DX-3250

DRAWING TITLE:
BIGGO OVNI DUO ASTM
USE ZONE DRAWING

REV: 1	SHEET: 1 OF 1	SHEET SIZE: PA3	SCALE: NTS
--------	---------------	-----------------	------------

DESIGNED BY: DATE:

DRAWN BY: J.ZHAI DATE: 2018-11-01

CHECKED BY: DATE:

REVIEWED BY: DATE:

APPROVED BY: DATE:

DYNAMO
PLAYGROUNDS

Local: 613-446-0030
Toll free: 800-790-0034
Email: info@dynamoplaygrounds.com
Fax: 613-446-0034
URL: www.dynamoplaygrounds.com

REVISION HISTORY					
REV	DESCRIPTION	REF. No.	DATE	DRWN BY:	RWD BY:
0	INITIAL RELEASE. DRAWING CREATED TO MERGE ALL OVNI AND TRES SWINGS INTO ONE FOUNDATION DRAWING	WO# 2008D	2019-04-02	WM	

GENERAL NOTES:

1. THE FOUNDATION IN THE DRAWING TO BE USED AS A MINIMUM GUIDELINE. CHECK WITH LOCAL ENGINEERS
2. THE CONCRETE SHALL BE GRADE C25 (CHARACTERISTIC STRENGTH OF 3500 PSI AT 28 DAYS) MINIMUM.
3. THE FOUNDATION SHALL BE PLACED ON FIRM, UNDISTURBED SOIL SURFACE. WHEREVER EXCAVATION OCCURS BELOW THE DESIGNED FOUNDATION LEVEL, WELL COMPACTED BACK FILL OR LEAN CONCRETE SHALL BE USED FOR LEVELING.
4. BACKFILLING FOR FOUNDATION SHALL BE PLACED EVENLY IN 6" (150mm) LAYERS. LAYERS SHALL BE WELL COMPACTED.
5. THE FOUNDATION DESIGN IS SUITABLE FOR SOIL WITH A BEARING CAPACITY OF 1600 PSF (80 KPA) AND ABOVE.
6. THE FOUNDATION DESIGN IS SUITABLE FOR SOIL WITH FROST LINE OF 4' (1200 MM) OR LESS.

ENGINEERING SEAL:

CLIENT: STOCK

PROJECT NAME: STOCK

PRODUCT NO: DX-3150, DX-3153, DX-3250, DX-3252, DX-3253

DRAWING TITLE:
BIGGO OVNI & TRES FOUNDATION DRAWING

REV: 0	SHEET: 1 OF 1	SHEET SIZE: PA3	SCALE: NTS
--------	---------------	-----------------	------------

DESIGNED BY: DATE:

DRAWN BY: W. MCNAIR DATE: 2019-04-11

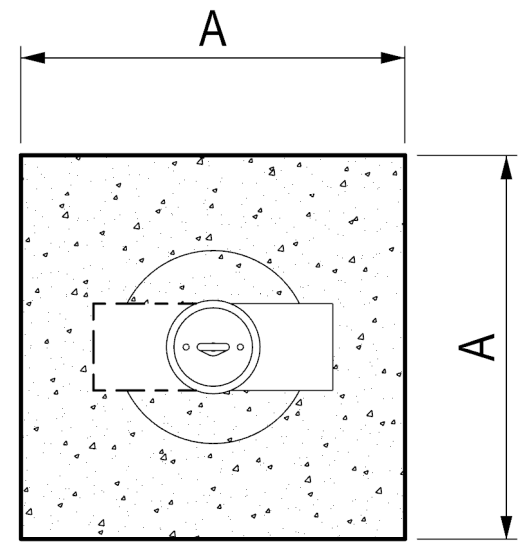
CHECKED BY: J. ZHAI DATE: 2019-04-16

REVIEWED BY: DATE:

APPROVED BY: DATE:

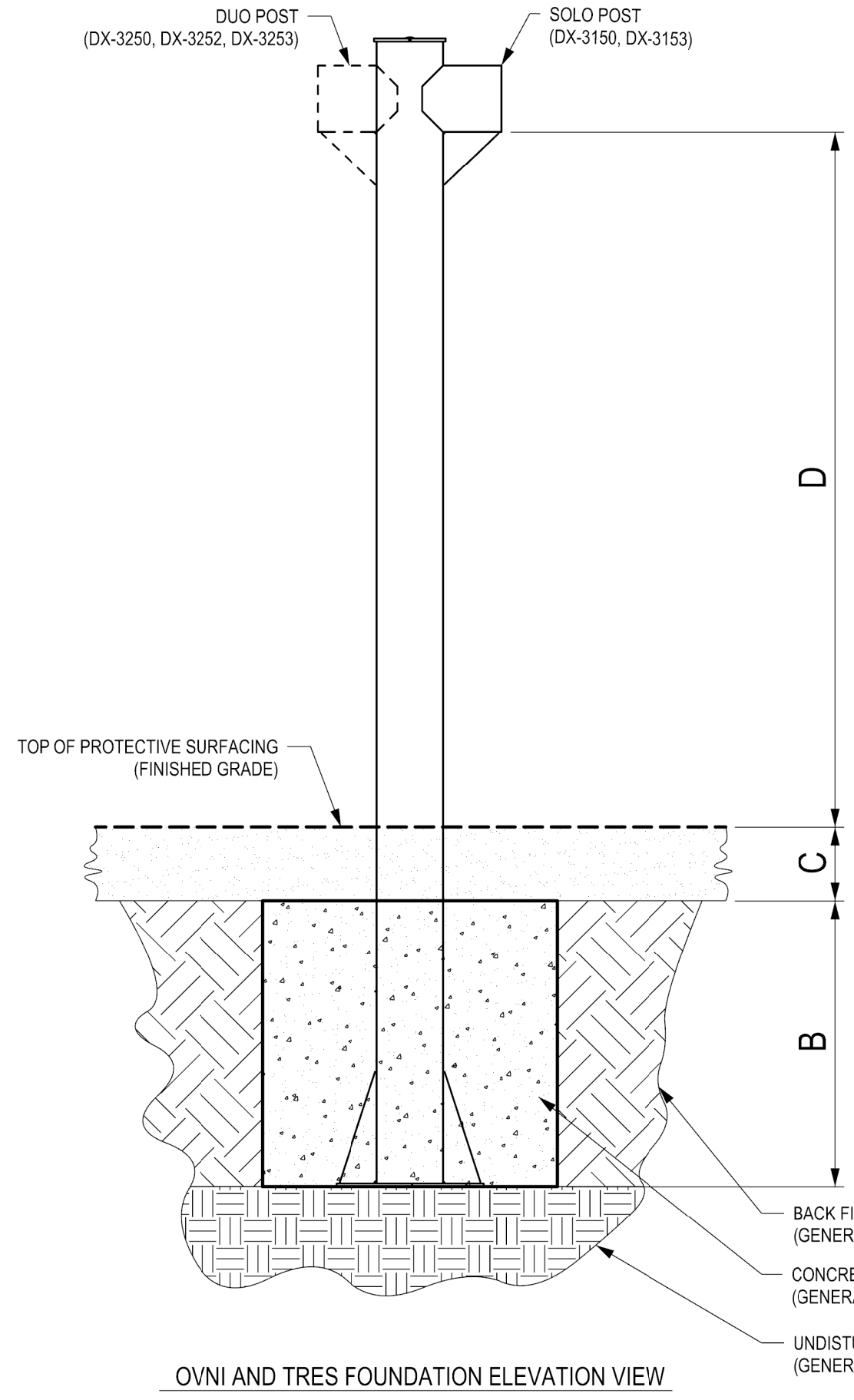
DYNAMO
PLAYGROUNDS

Local: 613-446-0030
Toll free: 800-790-0034
Email: info@dynamoplaygrounds.com
Fax: 613-446-0034
URL: www.dynamoplaygrounds.com



OVNI AND TRES FOUNDATION PLAN VIEW

DIMENSION LABEL	DIMENSION DESCRIPTION	ASTM STANDARDS	CSA STANDARDS	EN STANDARDS
A	FOUNDATION WIDTH	4'-0" (1219mm)	4'-0" (1219mm)	4'-3 1/8" (1300mm)
B	FOUNDATION DEPTH	3'-10 1/2" (1181mm)	3'-10 1/2" (1181mm)	3'-6 3/4" (1086mm)
C	PROTECTIVE SURFACING DEPTH	1'-0" (305 mm)	1'-0" (305 mm)	1'-0" (305 mm)
D	SWING ARM CONNECTION ABOVE FINAL GRADE	9'-5 1/8" (2783mm)	9'-5 1/8" (2783mm)	9'-8 7/8" (2968mm)



OVNI AND TRES FOUNDATION ELEVATION VIEW