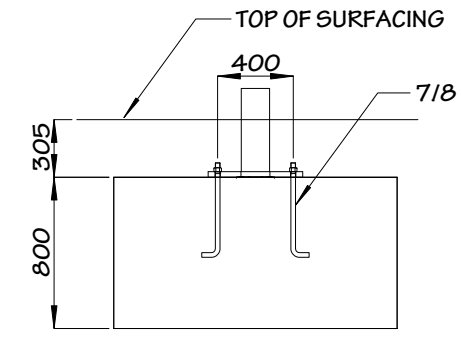
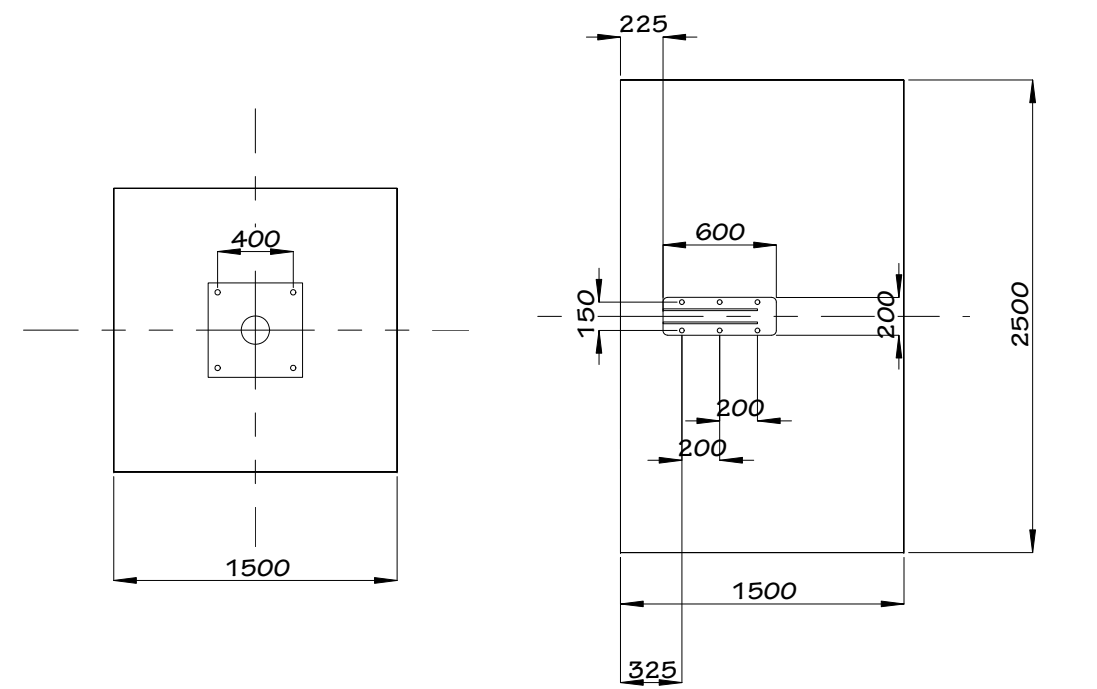
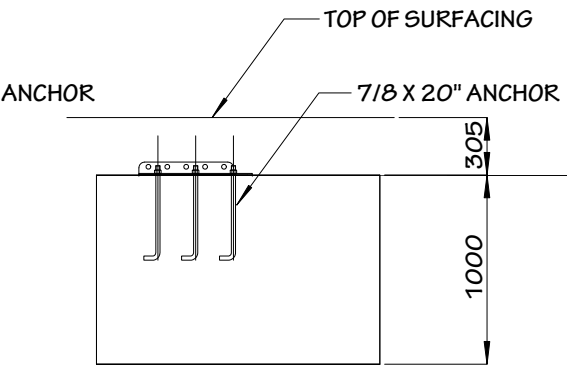


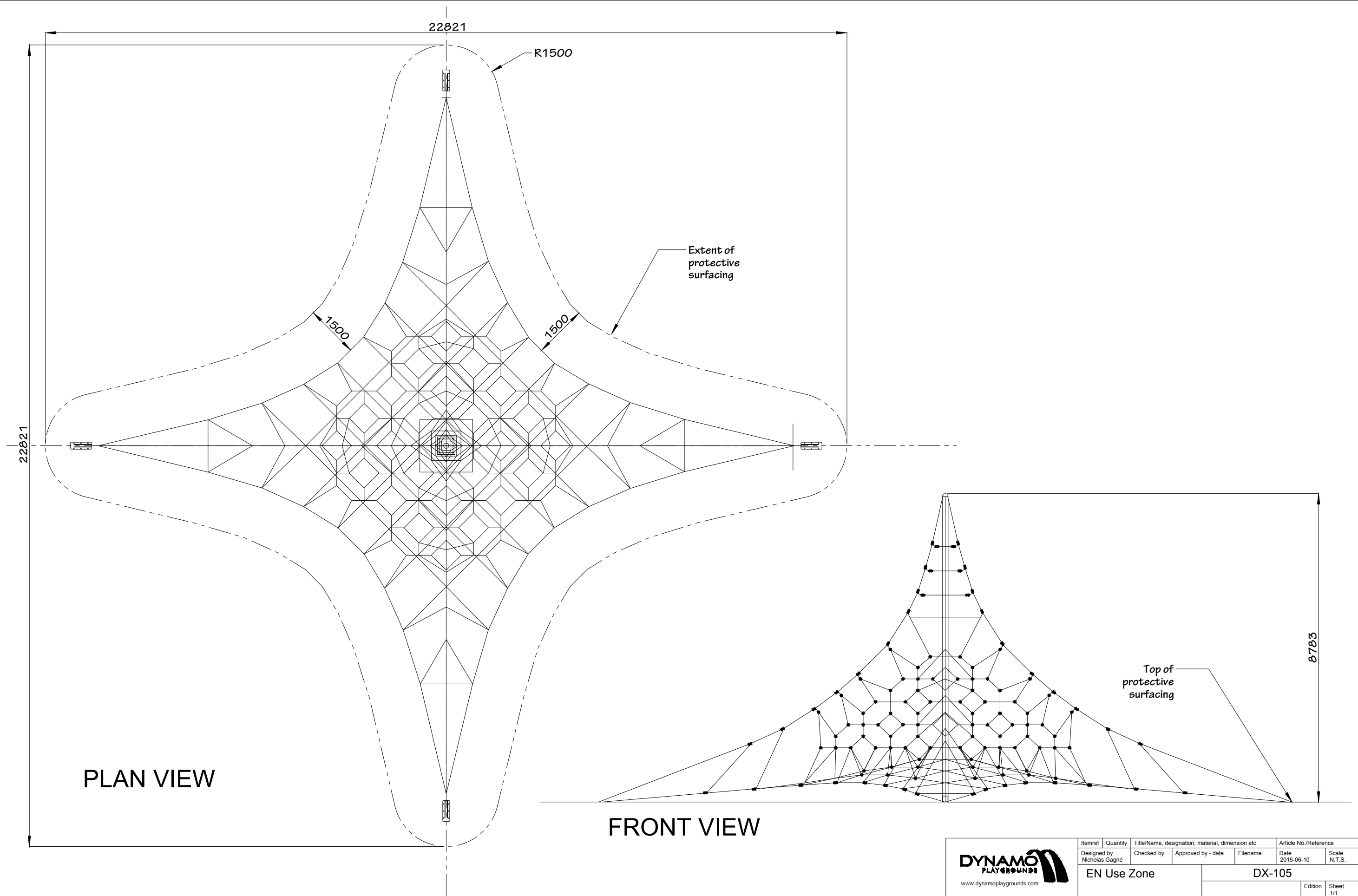
PLAN VIEW



FOUNDATION 1 DETAIL



FOUNDATION 2 DETAIL



PLAN VIEW

FRONT VIEW



Itemref	Quantity	Title/Name, designation, material, dimension etc			Article No./Reference	
Designed by Nicholas Gagné	Checked by	Approved by - date	Filename	Date 2015-06-10	Scale N.T.S.	
EN Use Zone			DX-105		Edition Sheet 1/1	