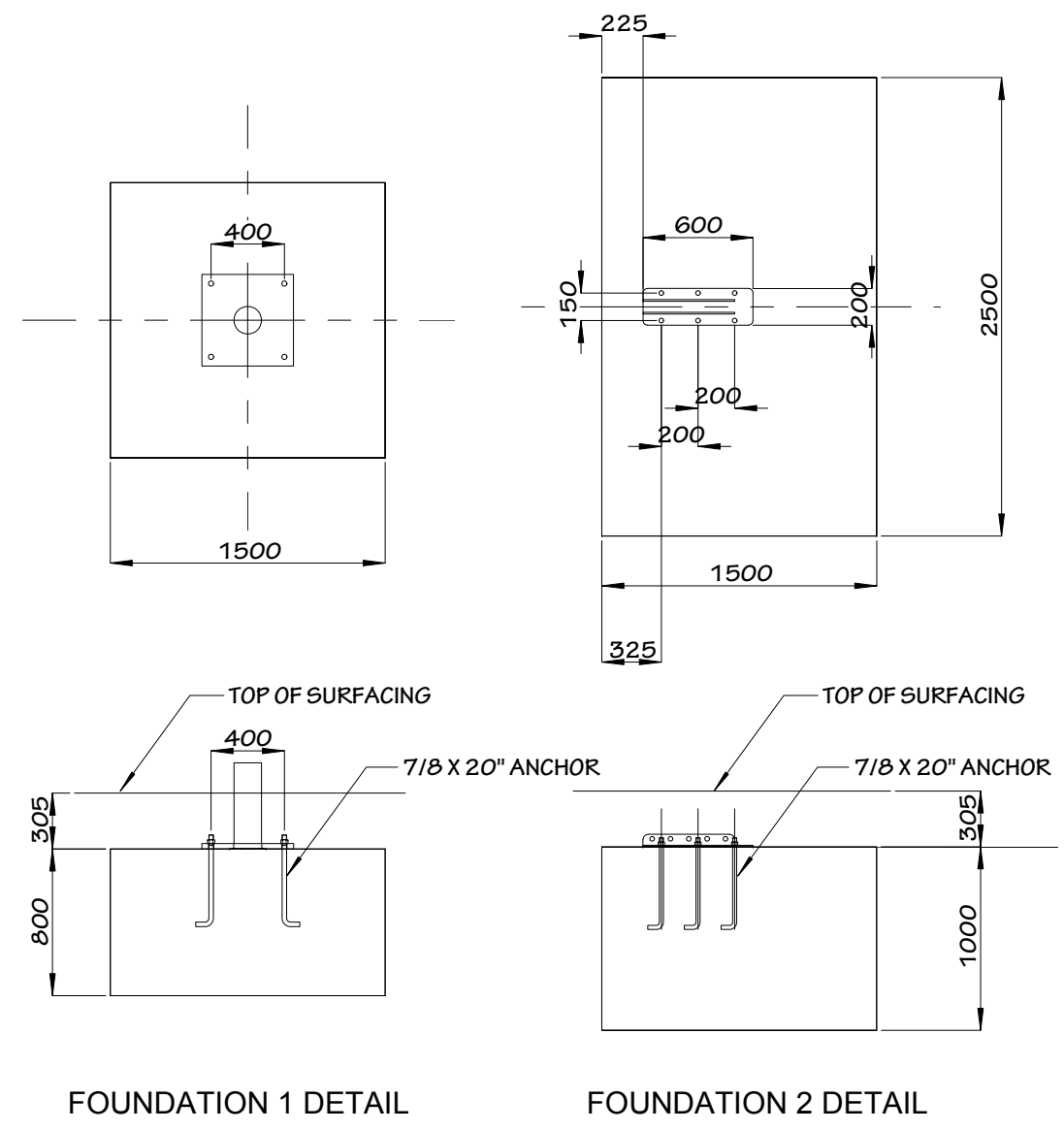
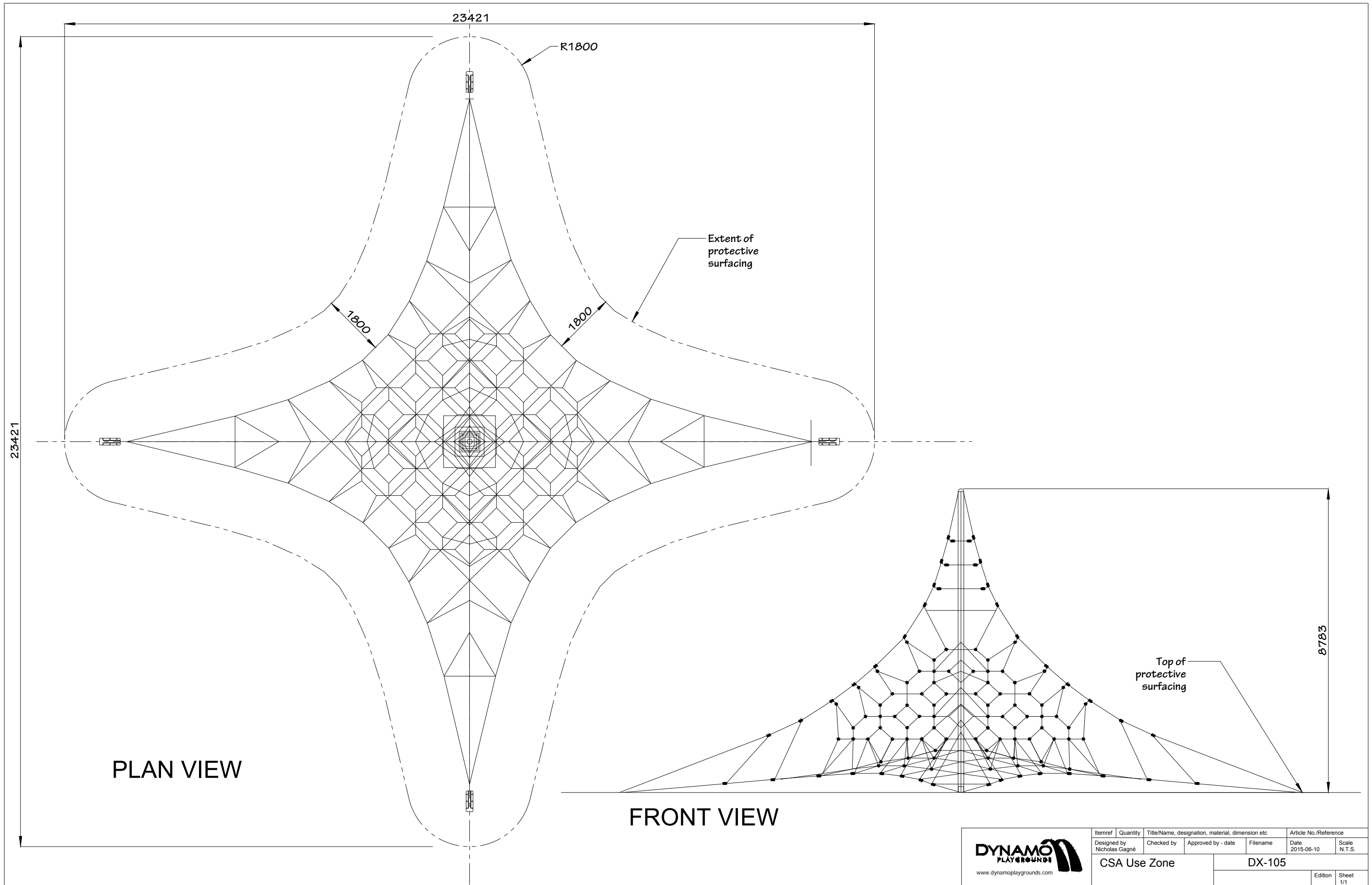


PLAN VIEW





PLAN VIEW

FRONT VIEW



Itemref	Quantity	Title/Name, designation, material, dimension etc			Article No./Reference	
Designed by Nicholas Gagné	Checked by	Approved by - date	Filename	Date	2015-06-10	Scale N.T.S.
CSA Use Zone				DX-105		
				Edition	Sheet	1/1