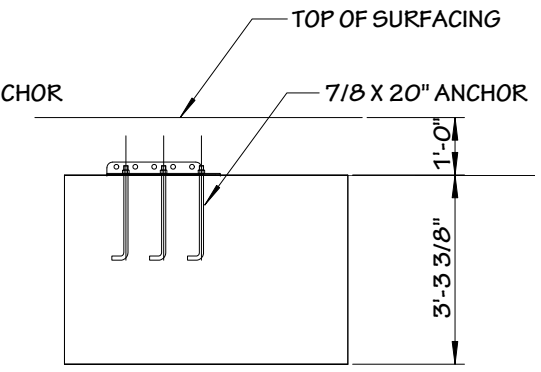
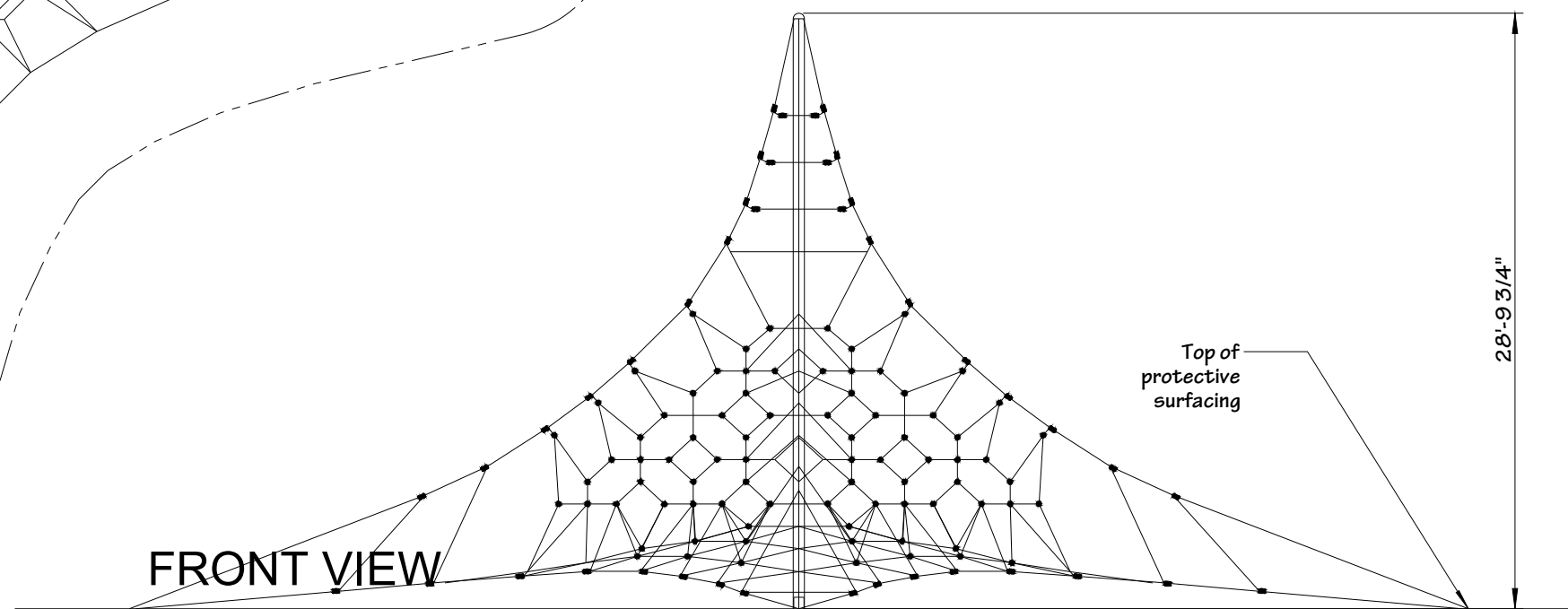
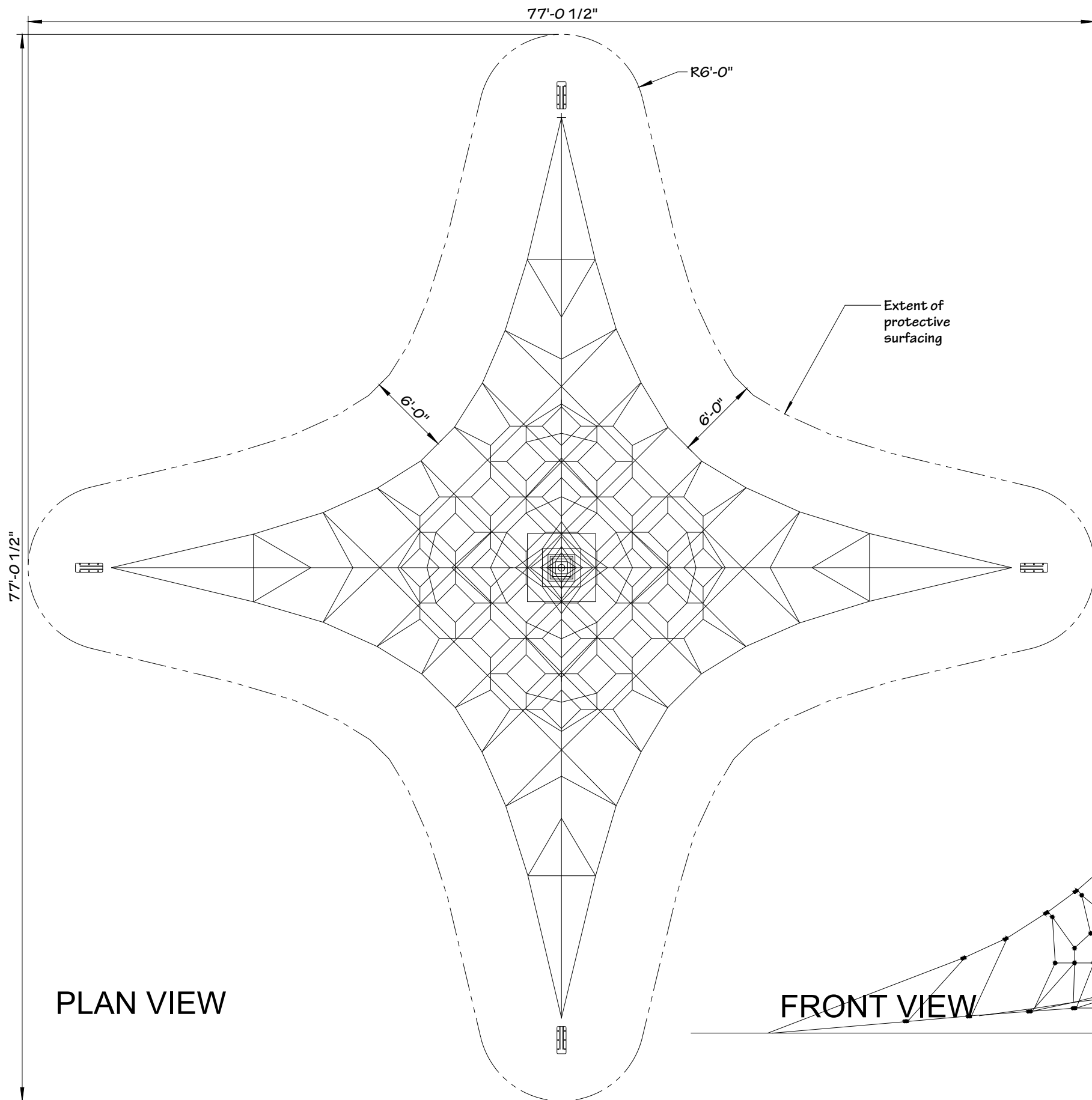



FOUNDATION 1 DETAIL



FOUNDATION 2 DETAIL



 www.dynamoplaygrounds.com	Itemref	Quantity	Title/Name, designation, material, dimension etc		Article No./Reference	
	Designed by Nicholas Gagné	Checked by	Approved by - date	Filename	Date 2015-06-10	Scale N.T.S.
ASTM Use Zone			DX-105			Edition 1/1