

REVISION HISTORY

REV	DESCRIPTION	REF. No.	DATE	DRWN BY:	RWD BY:
0	Initial Release	-	-	-	-

ENGINEERING SEAL:

CLIENT: GENERAL

PROJECT NAME: BIGGO SPIA SOLO

PRODUCT NO: DX-3175

DRAWING TITLE:
DX-3175 USE ZONE
EN

REV:	SHEET:	SHEET SIZE:	SCALE:
0	1 OF 1	PA3	NTS

DESIGNED BY: DATE:

DRAWN BY: JZ DATE: 2018-10-29

CHECKED BY: DATE:

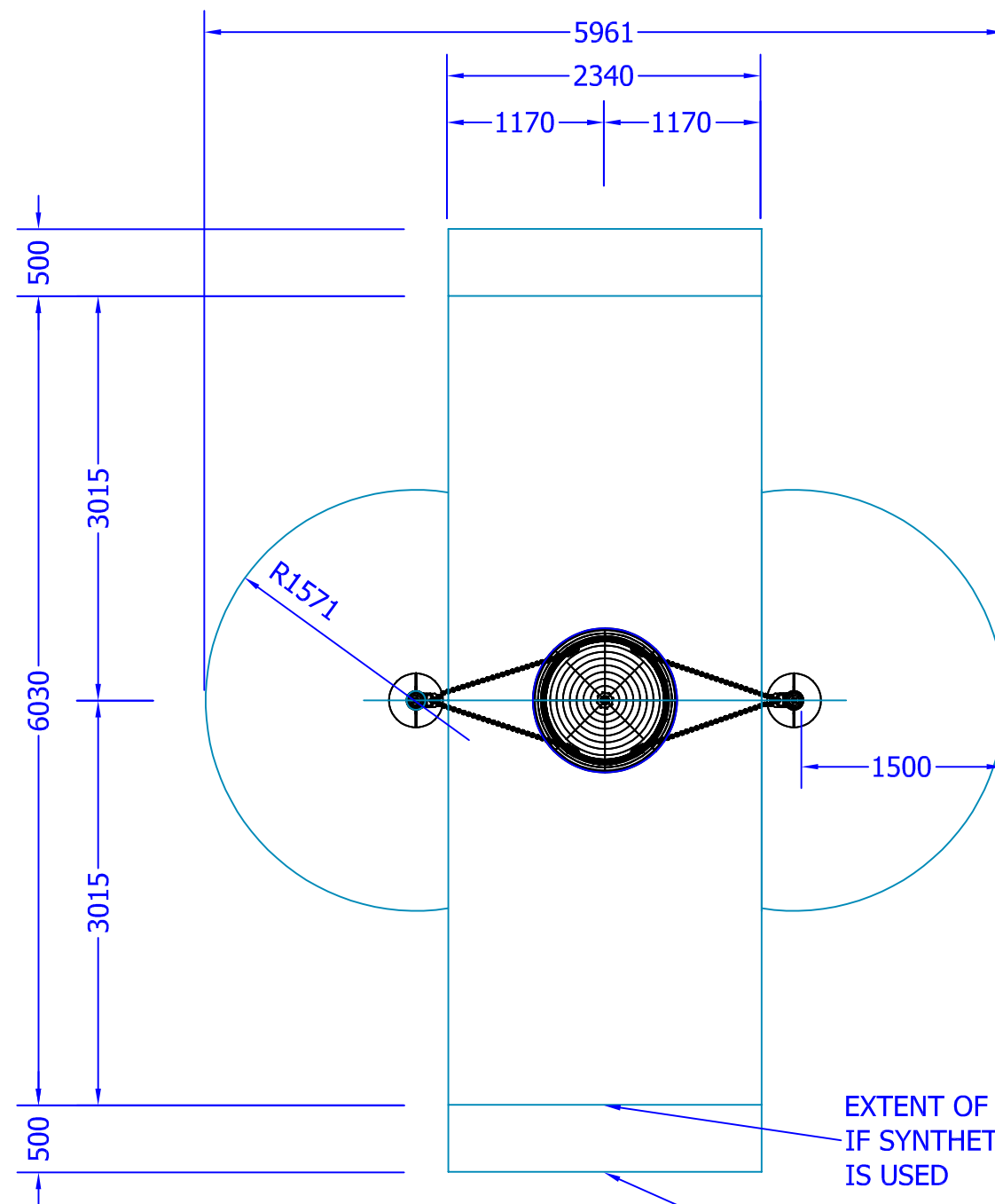
REVIEWED BY: DATE:

APPROVED BY: DATE:

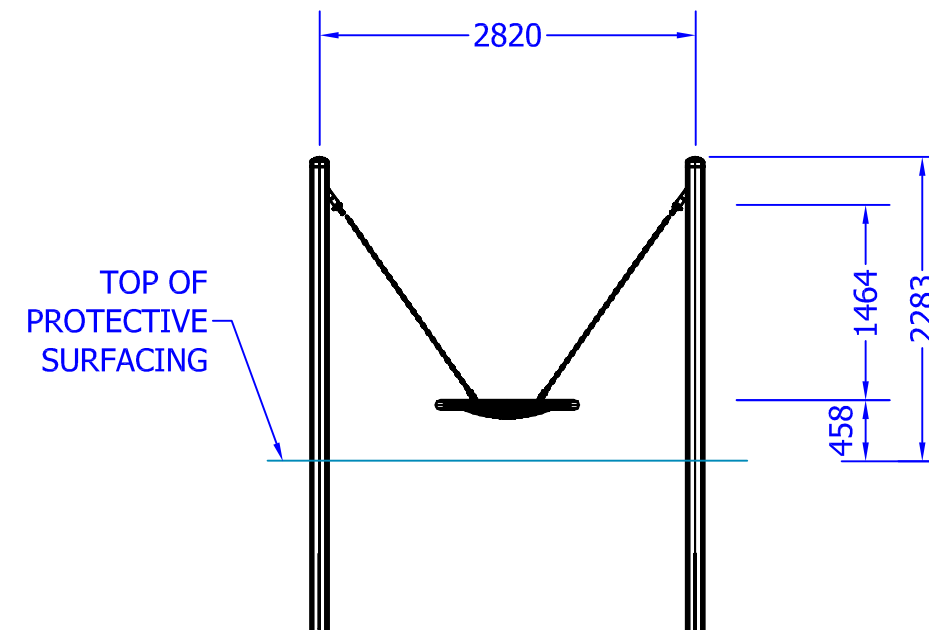
DYNAMO
PLAYGROUNDS



Local: 613-446-0030
Toll free: 800-790-0034
Email: info@dynamoplaygrounds.com
Fax: 613-446-0034
URL: www.dynamoplaygrounds.com



PLAN VIEW



SIDE VIEW