

REVISION HISTORY

REV	DESCRIPTION	REF. No.	DATE	DRWN BY:	RWD BY:
0	Initial Release	-	-	-	-

ENGINEERING SEAL:

CLIENT: GENERAL

PROJECT NAME: BIGGO SPIA DUO

PRODUCT NO: DX-3275

DRAWING TITLE:
DX-3275 USE ZONE
EN

REV:	SHEET:	SHEET SIZE:	SCALE:
0	1 OF 1	PA3	NTS

DESIGNED BY: DATE:

DRAWN BY: JZ DATE: 2018-10-29

CHECKED BY: DATE:

REVIEWED BY: DATE:

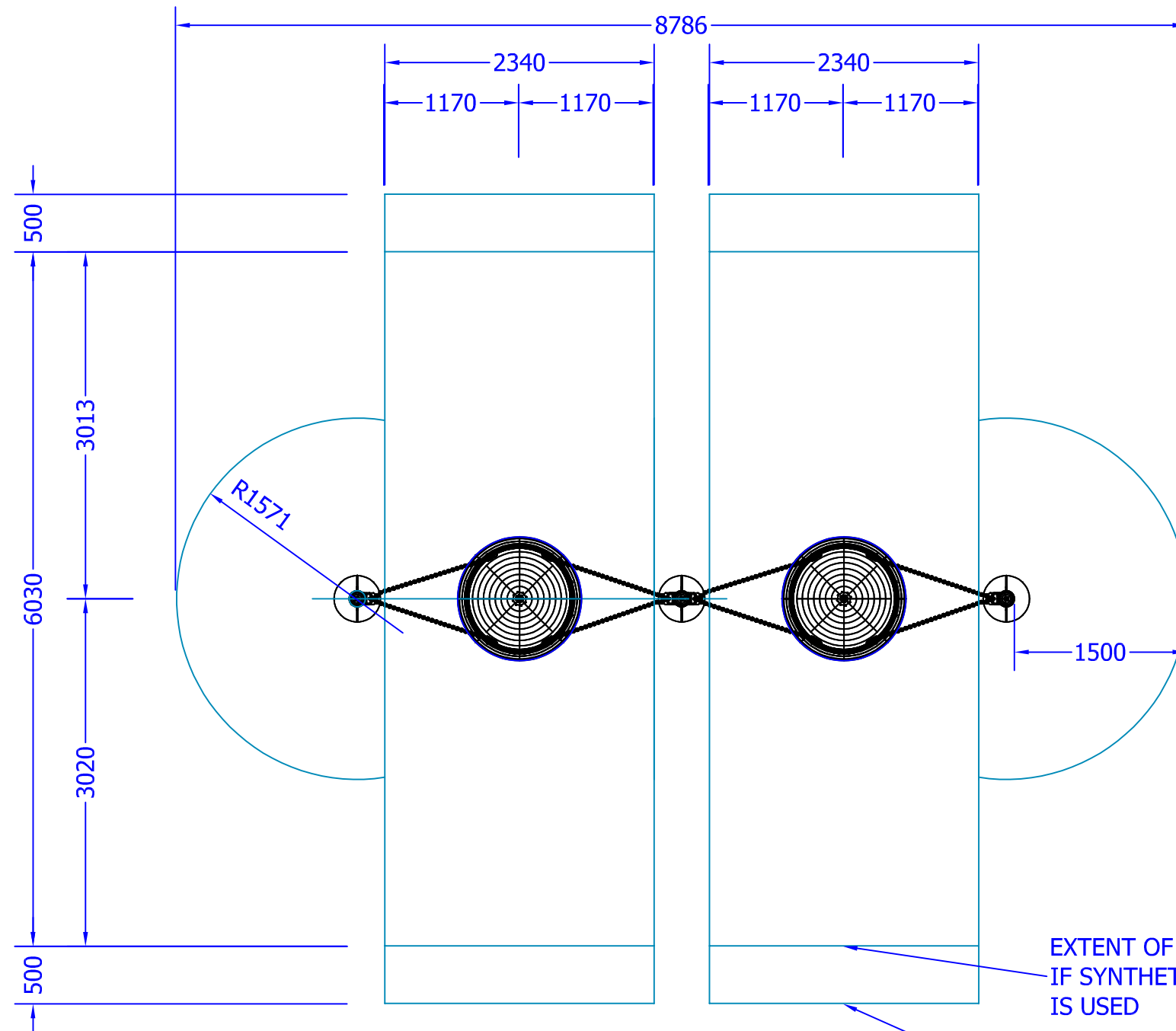
APPROVED BY: DATE:

DYNAMO
PLAYGROUNDS



Local: 613-446-0030
Toll free: 800-790-0034
Email: info@dynamoplaygrounds.com
Fax: 613-446-0034
URL: www.dynamoplaygrounds.com

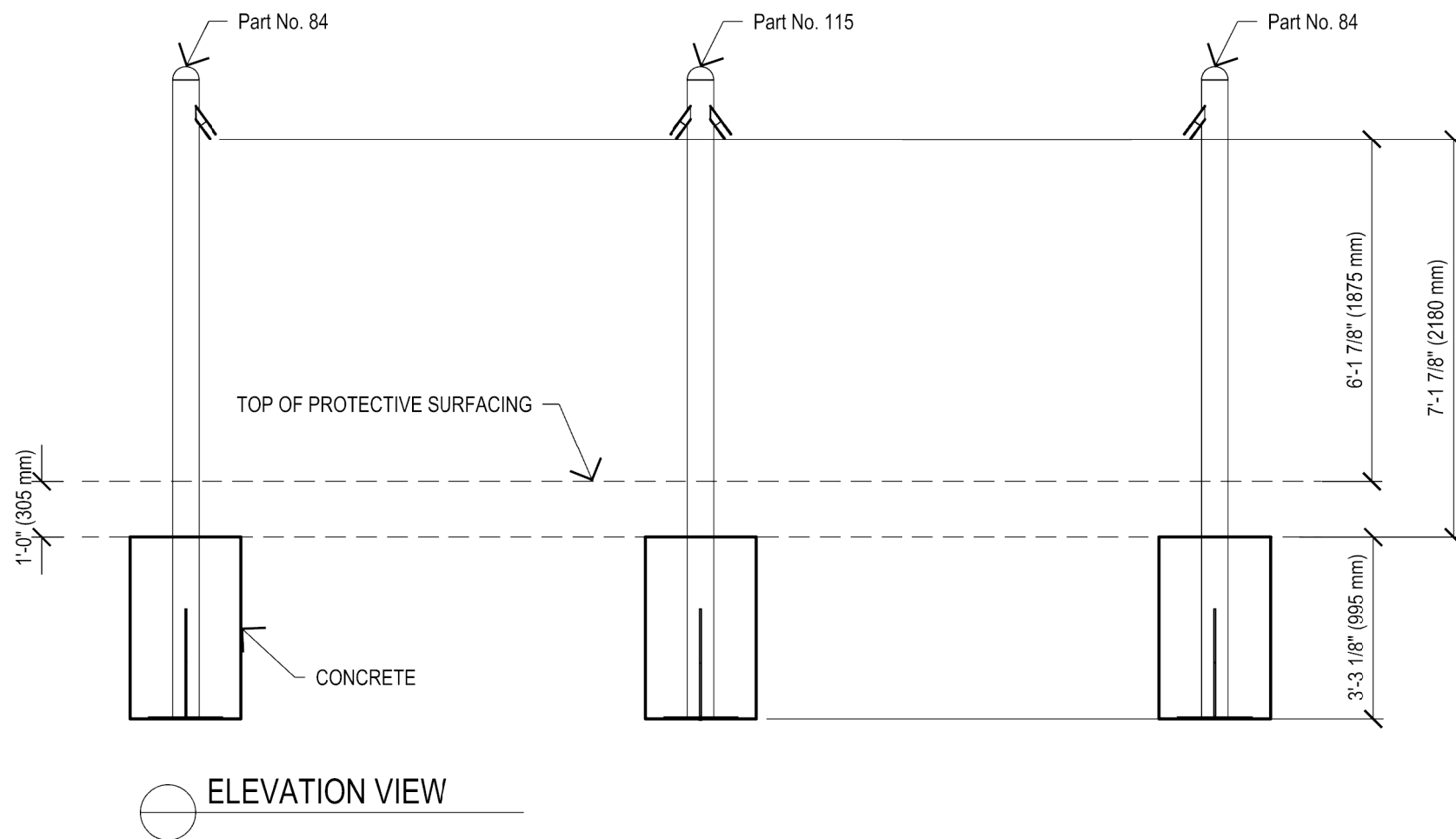
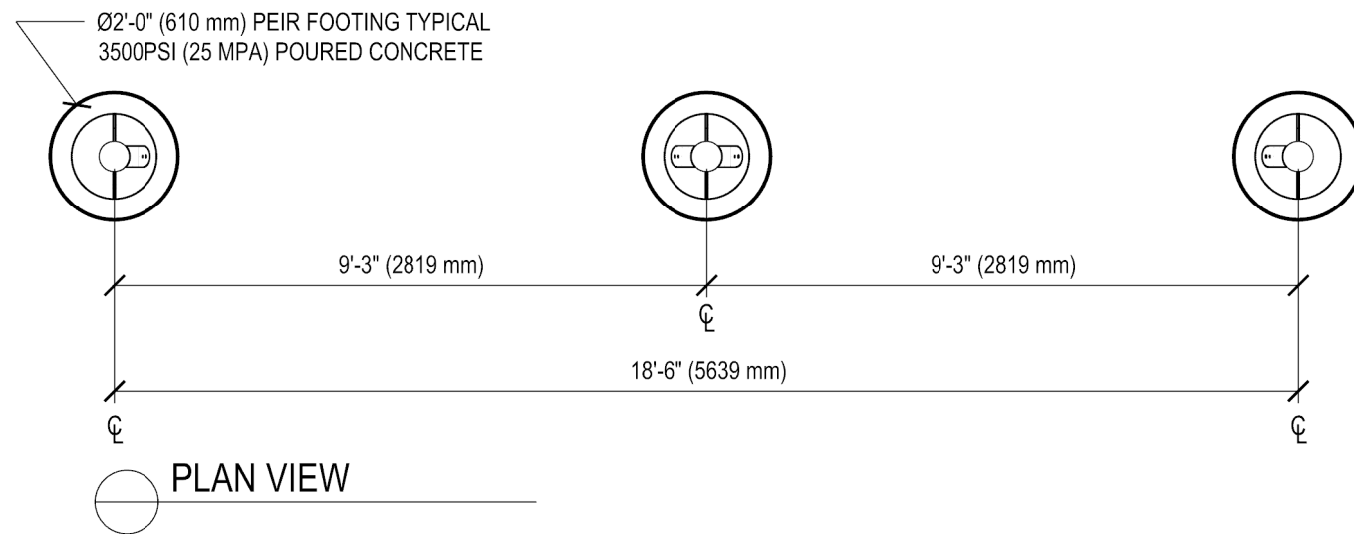
SIDE VIEW
REFERRING DX-3175



EXTENT OF USE ZONE
IF SYNTHETIC SURFACING
IS USED

EXTENT OF USE ZONE
IF LOOSE FILL SURFACING
IS USED

PLAN VIEW



DOCUMENT NO: 200-000-167

REV. NO.	DESCRIPTION/REFERENCE	DATE
0	Revised for ECO# 1711-09 -DOC No. Added. -P/N Reference added -Height Reference Added	2018-03-08

General Notes:

1. THE FOUNDATION IN THE DRAWING TO BE USED AS A MINIMUM GUIDELINE.
2. THE CONCRETE SHALL BE GRADE C25 (CHARACTERISTIC STRENGTH OF 3500 PSI AT 28 DAYS) MINIMUM.
3. THE FOUNDATION SHALL BE PLACED ON FIRM, UNDISTURBED SOIL SURFACE. WHEREVER EXCAVATION OCCURS BELOW THE DESIGNED FOUNDATION LEVEL, WELL COMPACTED BACK FILL OR LEAN CONCRETE SHALL BE USED FOR LEVELING.
4. BACKFILLING FOR FOUNDATION SHALL BE PLACED EVENLY IN LAYERS OF 6" (150mm) THICKNESS AND SHALL BE WELL COMPACTED.
5. THE FOUNDATION DESIGN IS SUITABLE FOR SOIL WITH A BEARING CAPACITY OF 1600 PSF (80 KPA) AND ABOVE.
6. THE FOUNDATION DESIGN IS SUITABLE FOR SOIL WITH FROST LINE OF 4' (1200 MM) OR LESS.

CLIENT: STOCK

PROJECT NAME: STOCK

PROJECT ADDRESS:
CHECK LOCAL REGULATIONS

DRAWING TITLE: BIGGO SPIA DUO
FOUNDATION LAYOUT DRAWING

PRODUCT NO: DX -3275

	NAME	DATE
DESIGNER:		
DRAWN BY:	William McNair	2018-03-08
CHECKED BY:		
REVIEWED BY:		
APPROVED BY:		
SHEET SIZE: PA3	PAGE NO: 1 of 1	SCALE: NTS

DYNAMO
PLAYGROUNDS

www.dynamoplaygrounds.com
info@dynamoplaygrounds.com
Toll free: 800-790-0034
Local: 613-446-0030
Fax: 613-446-0034