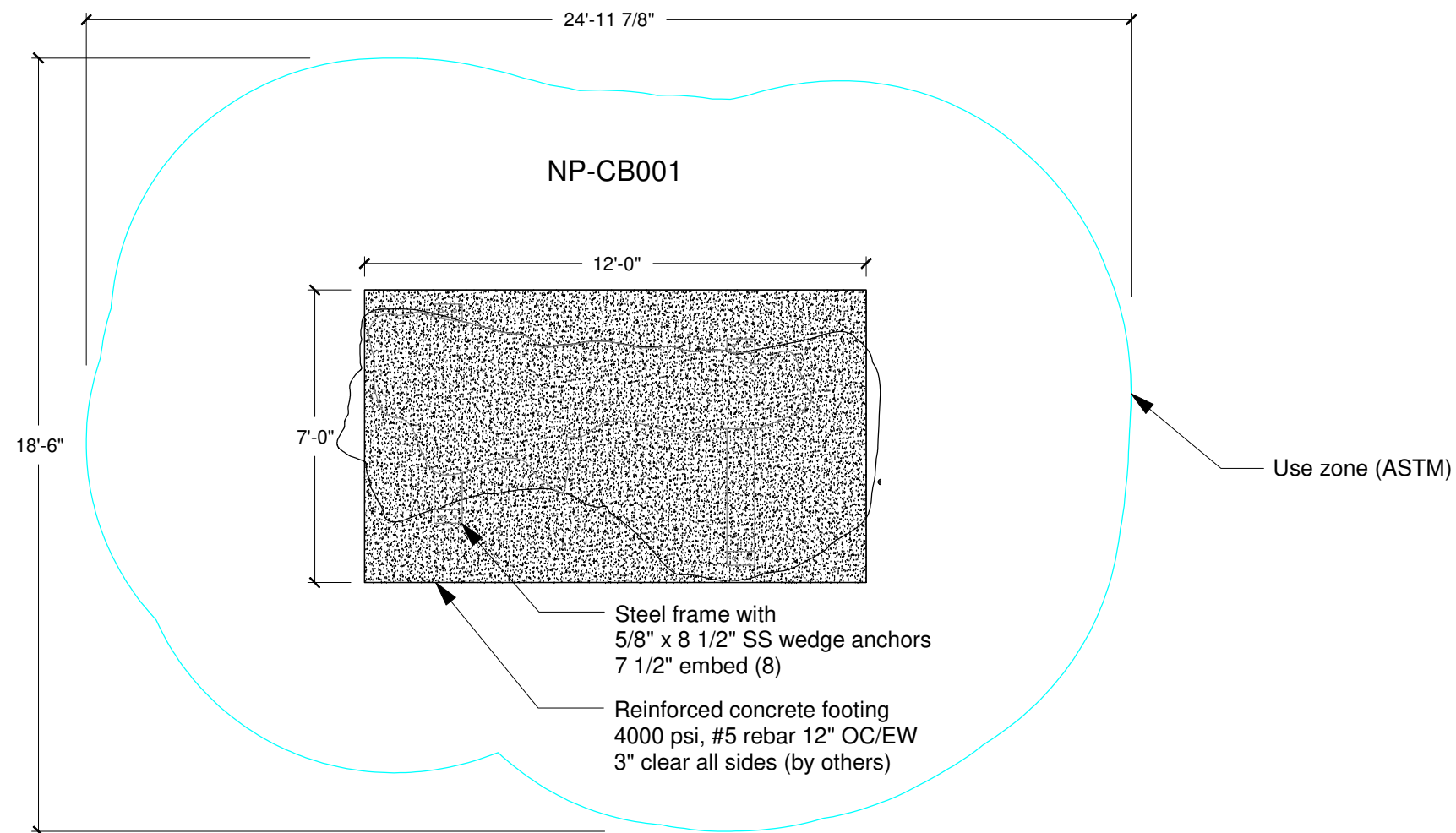
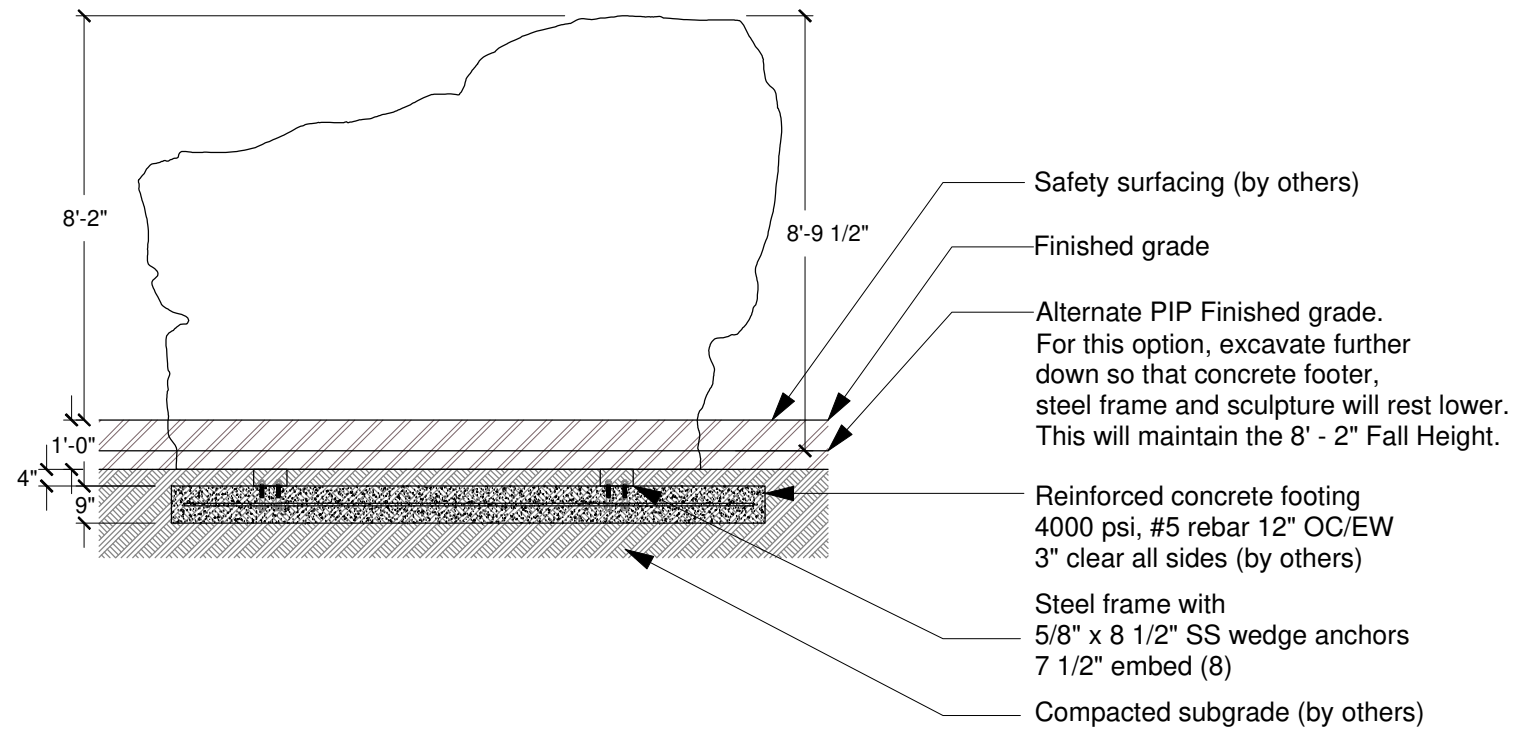


200-000-363

REVISION HISTORY

REV	DESCRIPTION	REF. No.	DATE	DRWN BY:	RWD BY:
0	Initial Release		-	-	



ENGINEERING SEAL:

CLIENT:

PROJECT NAME:

PRODUCT NO:

NP-CB001

DRAWING TITLE:

ASTM 2D LAYOUT

REV:	SHEET:	SHEET SIZE:	SCALE:
0	1 OF 1	PA3	NTS

DESIGNED BY:	DATE:
DRAWN BY:	DATE:
CHECKED BY:	DATE:
CHECKED BY:	DATE:
REVIEWED BY:	DATE:

DYNAMO
PLAYGROUNDS

Local: 613-446-0030
Toll free: 800-790-0034
Email: info@dynamoplaygrounds.com
Fax: 613-446-0034
URL: www.dynamoplaygrounds.com