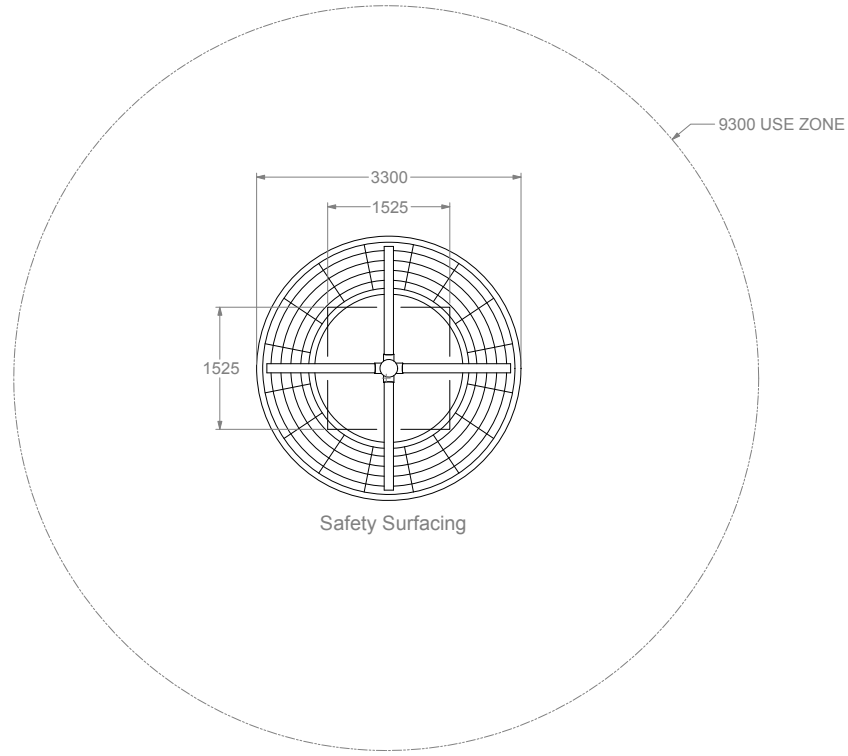


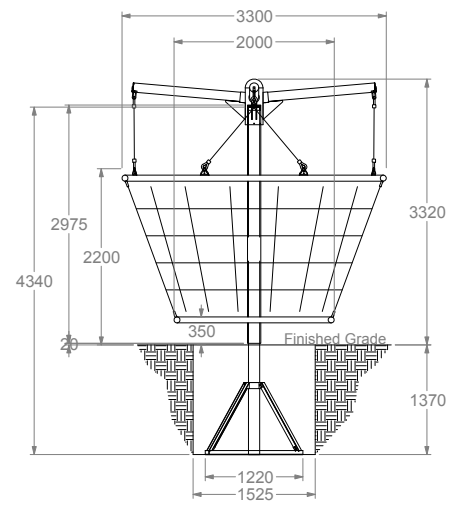
Rev/No	Revision note	Date	Signature	Checked

A
B
C
D
E
F
G
H

A
B
C
D
E
F
G
H



○ LAYOUT DRAWING



○ FRONT VIEW

	Item#	Quantity	Title/Name, designation, material, dimension etc.		Article No./Reference
	Designed by	Checked by	Approved by - date	Filename	Date
ALLEGRO					DX-2200
					Edition Sheet 1/1