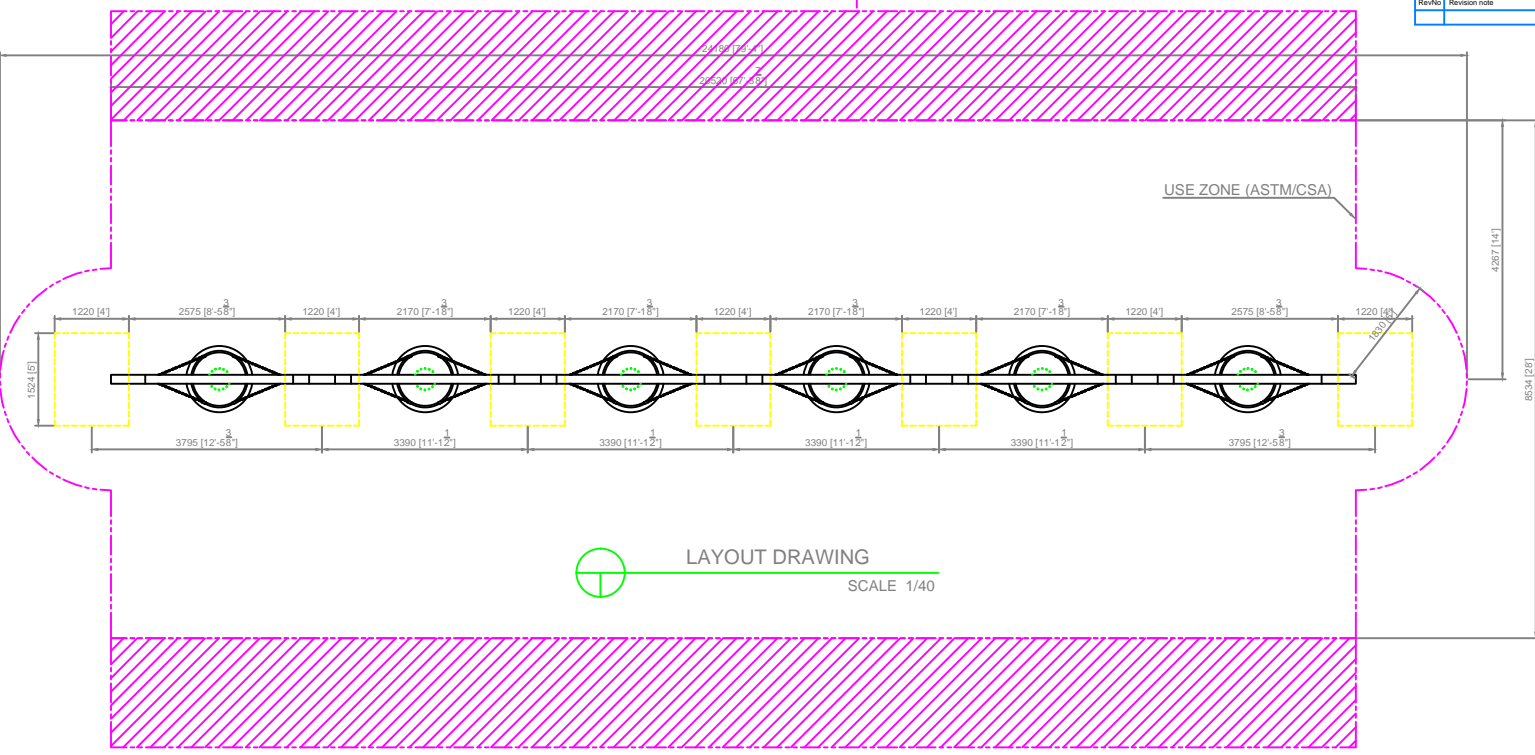
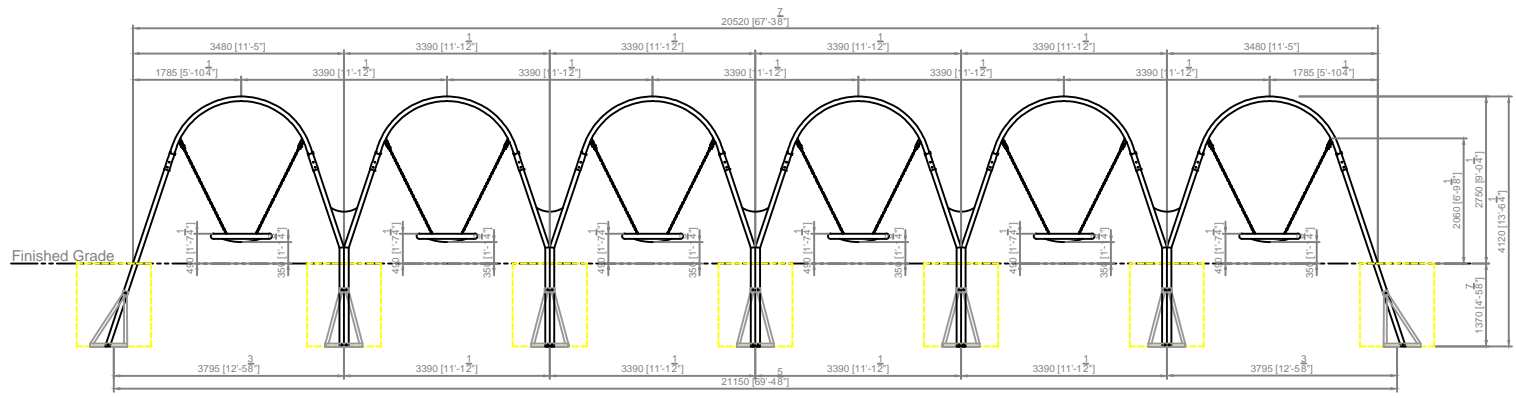


RevNo	Revision note	Date	Signature	Checker

A  
B  
C  
D  
E  
F  
G  
H



LAYOUT DRAWING  
SCALE 1/40



FRONT VIEW  
SCALE 1/40

	Itemref	Quantity	Title/Name, designation, material, dimension etc		Article No./Reference	
	Designed by XXX	Checked by XXX	Approved by - date XXX - 09/05/01	Filename DX-3600.dwg	Date 09/05/01	Scale 1:40
	BIGGO-HEXO			DX-3600		
			36	Edition 0	Sheet 1/1	