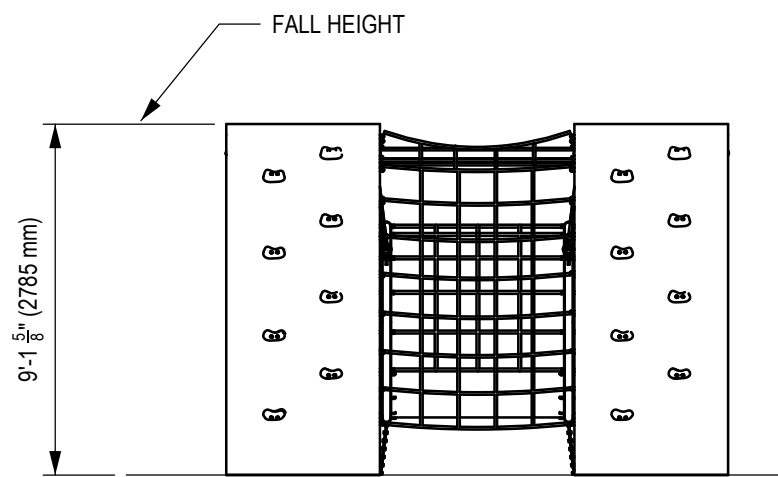
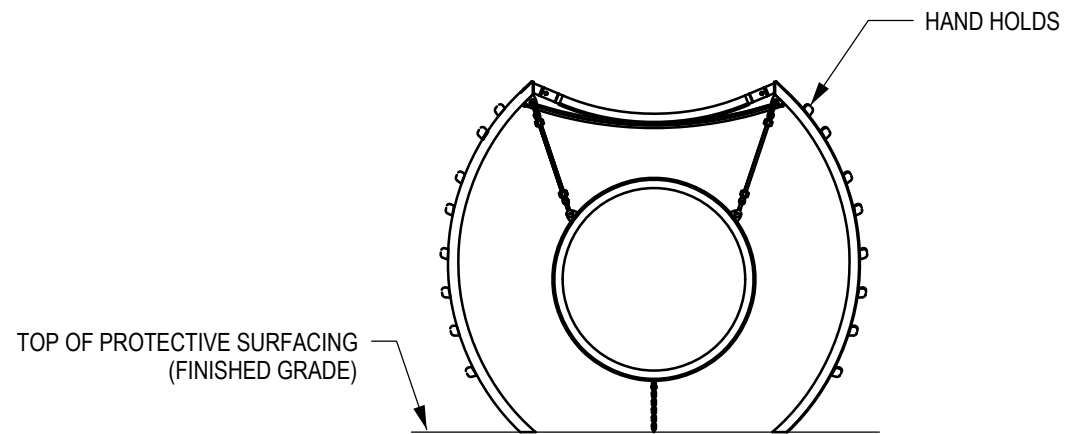


1 CSA USE ZONE PLAN VIEW



2 FRONT ELEVATION VIEW



3 RIGHT ELEVATION VIEW

DOCUMENT No:	200-000-874				
REVISION HISTORY					
REV	DESCRIPTION	REF. No.	DATE	DRWN BY:	RWD BY:
0	Initial Release	WO#	2019-07-29	JC	
1	UPDATED TO NEW DESIGN	WO# 2136	2023-04-28	JC	PP

ENGINEERING SEAL:

CLIENT:

PROJECT NAME:

PRODUCT NO:

**IM-1054**

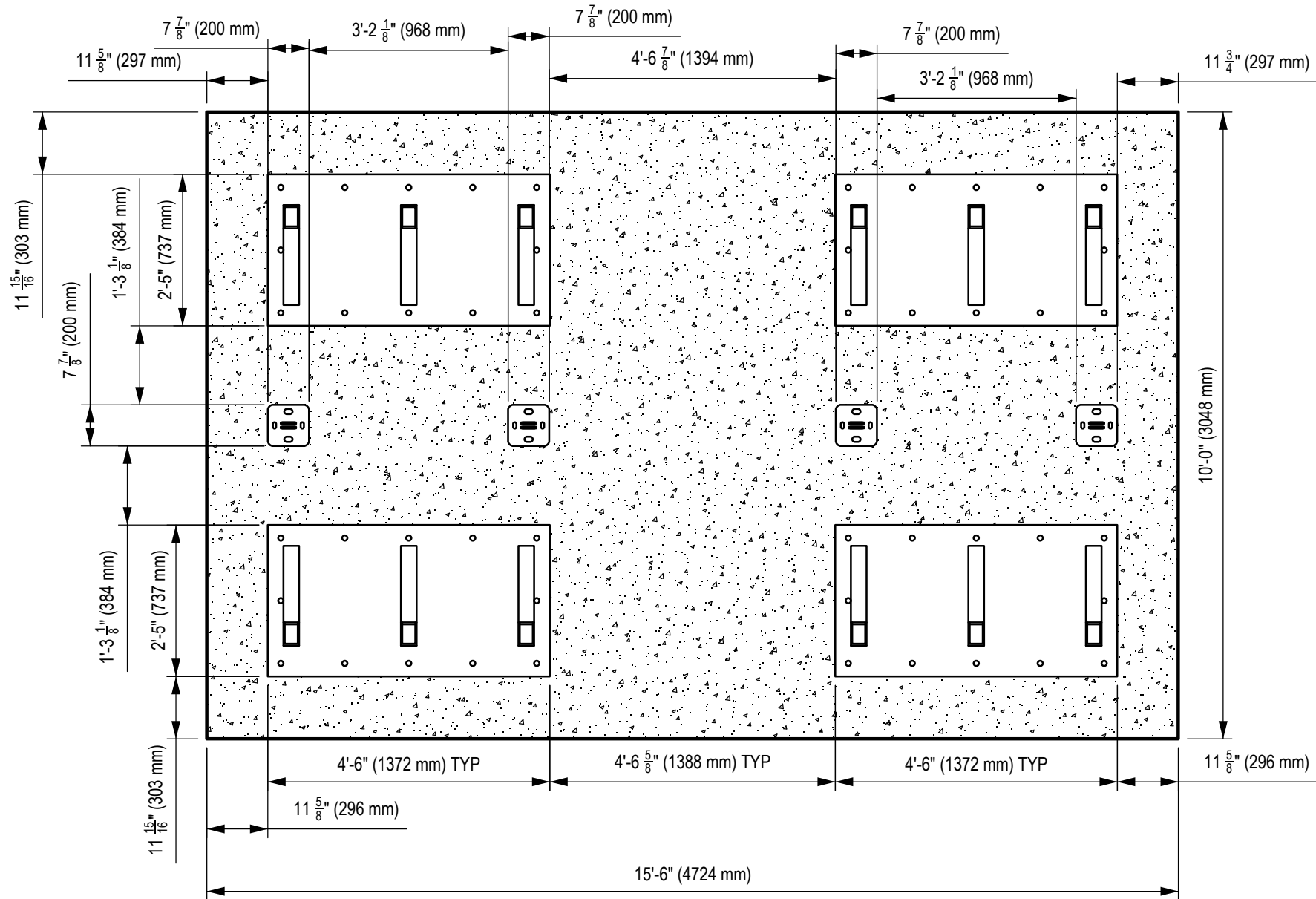
DRAWING TITLE:

**SPEED TUNNEL CSA USE ZONE DRAWING**

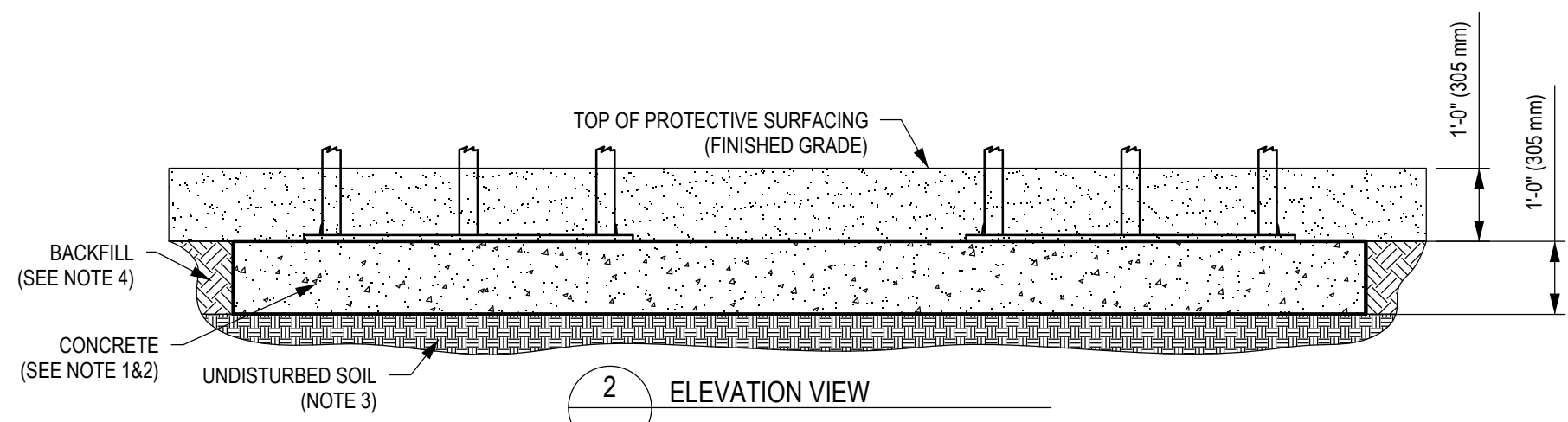
REV:	SHEET:	SHEET SIZE:	SCALE:
1	1 OF 1	PA3	NTS
DESIGNED BY:	DATE:		
DRAWN BY:	J. CHEN	DATE: 2019-07-29	
CHECKED BY:	DATE:		
REVIEWED BY:	DATE:		
APPROVED BY:	DATE:		

**DYNAMO**  
PLAYGROUNDS

Local: 613-446-0030  
 Toll free: 800-790-0034  
 Email: info@dynamoplaygrounds.com  
 Fax: 613-446-0034  
 URL: www.dynamoplaygrounds.com



1 FOUNDATION PLAN VIEW



2 ELEVATION VIEW

**GENERAL NOTES:**

1. THE FOUNDATION IN THE DRAWING TO BE USED AS A MINIMUM GUIDELINE. CHECK WITH LOCAL ENGINEERS TO ENSURE MINIMUM REINFORCEMENT TO BE APPLIED.
2. THE CONCRETE SHALL BE GRADE C25 (CHARACTERISTIC STRENGTH OF 3500 PSI AT 28 DAYS) MINIMUM.
3. THE FOUNDATION SHALL BE PLACED ON FIRM, UNDISTURBED SOIL SURFACE. WHEREVER EXCAVATION OCCURS BELOW THE DESIGNED FOUNDATION LEVEL, WELL COMPACTED BACK FILL OR LEAN CONCRETE SHALL BE USED FOR LEVELING.
4. BACKFILLING FOR FOUNDATION SHALL BE PLACED EVENLY IN 6" (150mm) LAYERS. LAYERS SHALL BE WELL COMPACTED.
5. THE FOUNDATION DESIGN IS SUITABLE FOR SOIL WITH A BEARING CAPACITY OF 1600 PSF (80 KPA) AND ABOVE.
6. THE FOUNDATION DESIGN IS SUITABLE FOR SOIL WITH FROST LINE OF 4' (1200 MM) OR LESS.

DOCUMENT No:		200-000-878			
REVISION HISTORY					
REV	DESCRIPTION	REF. No.	DATE	DRWN BY:	CHK BY:
0	Initial Release	XXXXX	2019-07-29	H.E.	
1	UPDATED FOR AS-BUILT	XXXXX	2019-10-11	WMC	-
2	UPDATED TO NEW DESIGN	WO# 2136	2023-04-28	JC	PP
ENGINEERING SEAL:					
CLIENT:					
PROJECT NAME:					
PRODUCT NO:					
IM-1054					
DRAWING TITLE:					
<b>SPEED TUNNEL FOUNDATION DRAWING</b>					
REV:	SHEET:	SHEET SIZE:	SCALE:		
2	1 OF 1	PA3	NTS		
DESIGNED BY:	H.E.	DATE:	2019-07-29		
DRAWN BY:	H.E.	DATE:	2019-07-29		
CHECKED BY:		DATE:			
REVIEWED BY:		DATE:			
APPROVED BY:		DATE:			
Local: 613-446-0030 Toll free: 800-790-0034 Email: <a href="mailto:info@dynamoplaygrounds.com">info@dynamoplaygrounds.com</a> Fax: 613-446-0034 URL: <a href="http://www.dynamoplaygrounds.com">www.dynamoplaygrounds.com</a>					