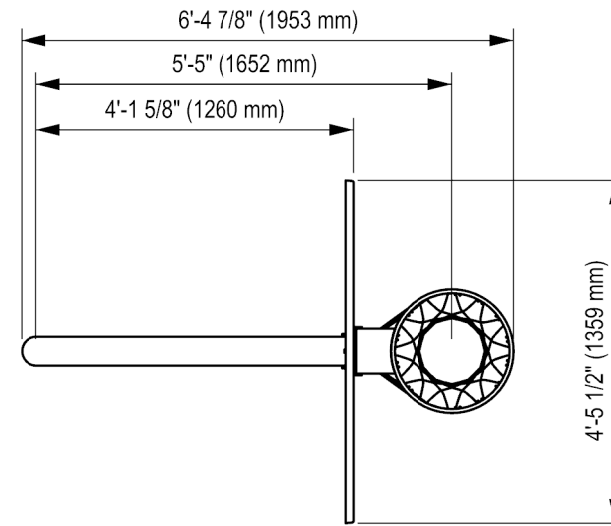
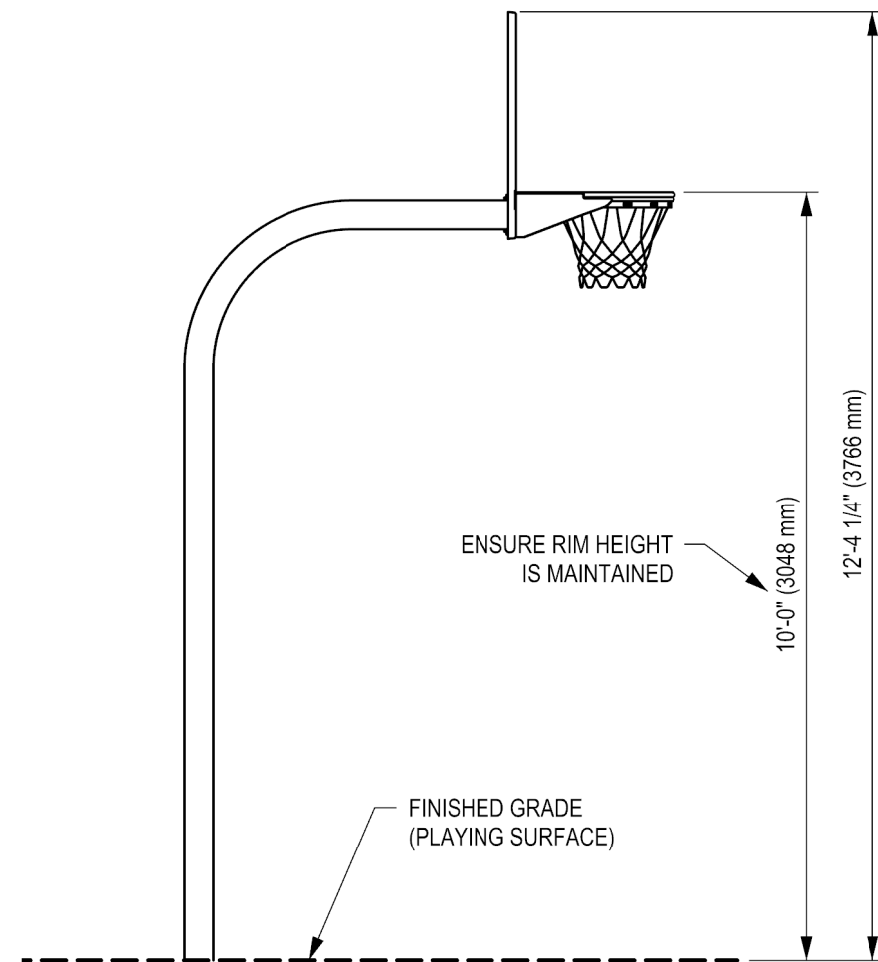


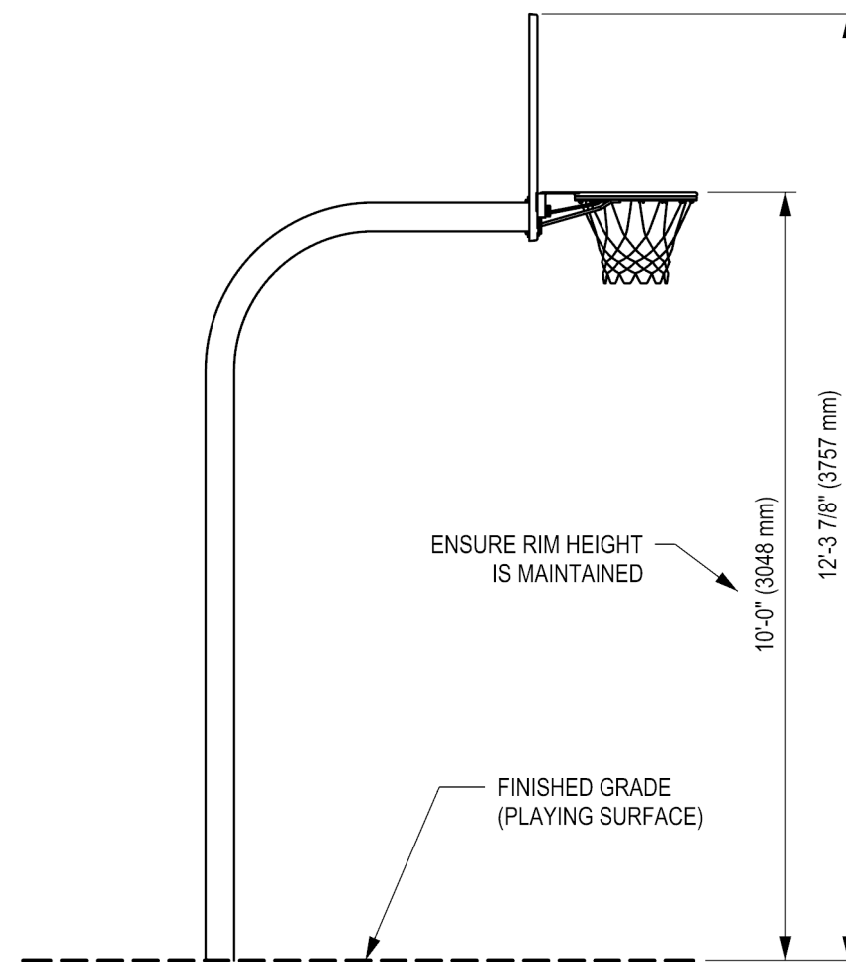
CLASSIC GOOSENECK (DX-BBG) PLAN VIEW



CLASSIC GOOSENECK WITH GOAL ADAPTER PLATE (DX-BBG-GAP) PLAN VIEW



CLASSIC GOOSENECK (DX-BBG) ELEVATION VIEW



CLASSIC GOOSENECK WITH GOAL ADAPTER PLATE (DX-BBG-GAP) ELEVATION VIEW

DOCUMENT No:		200-000-597			
REVISION HISTORY					
REV	DESCRIPTION	REF. No.	DATE	DRWN BY:	RWD BY:
0	Initial Release.	WO# 2121D-2	2019-03-29	WM	
ENGINEERING SEAL:					
CLIENT:		STOCK			
PROJECT NAME:		STOCK			
PRODUCT NO:		DX-BBG, DX-BBG-GAP			
DRAWING TITLE: CLASSIC GOOSENECK BASKETBALL SPECIFICATION AND INSTALLATION DRAWING					
REV:	SHEET:	SHEET SIZE:	SCALE:		
0	1 OF 2	PA3	NTS		
DESIGNED BY:		DATE:			
DRAWN BY: W. MCNAIR		DATE: 2019-03-29			
CHECKED BY:		DATE:			
REVIEWED BY:		DATE:			
APPROVED BY:		DATE:			

**DYNAMO**  
PLAYGROUNDS

Local: 613-446-0030  
Toll free: 800-790-0034  
Email: [info@dynamoplaygrounds.com](mailto:info@dynamoplaygrounds.com)  
Fax: 613-446-0034  
URL: [www.dynamoplaygrounds.com](http://www.dynamoplaygrounds.com)

REVISION HISTORY					
REV	DESCRIPTION	REF. No.	DATE	DRWN BY:	RWD BY:
0	Initial Release.	WO# 2121D-2	2019-03-29	WM	

- GENERAL NOTES:**
1. THE FOUNDATION IN THE DRAWING TO BE USED AS A MINIMUM GUIDELINE. CHECK WITH LOCAL ENGINEERS
  2. THE CONCRETE SHALL BE GRADE C25 (CHARACTERISTIC STRENGTH OF 3500 PSI AT 28 DAYS) MINIMUM.
  3. THE FOUNDATION SHALL BE PLACED ON FIRM, UNDISTURBED SOIL SURFACE. WHEREVER EXCAVATION OCCURS BELOW THE DESIGNED FOUNDATION LEVEL, WELL COMPACTED BACK FILL OR LEAN CONCRETE SHALL BE USED FOR LEVELING.
  4. BACKFILLING FOR FOUNDATION SHALL BE PLACED EVENLY IN 6" (150mm) LAYERS. LAYERS SHALL BE WELL COMPACTED.
  5. THE FOUNDATION DESIGN IS SUITABLE FOR SOIL WITH A BEARING CAPACITY OF 1600 PSF (80 KPA) AND ABOVE.
  6. THE FOUNDATION DESIGN IS SUITABLE FOR SOIL WITH FROST LINE OF 4' (1200 MM) OR LESS.

ENGINEERING SEAL:

CLIENT: STOCK

PROJECT NAME: STOCK

PRODUCT NO: DX-BBG, DX-BBG-GAP

DRAWING TITLE:  
CLASSIC GOOSENECK BASKETBALL SPECIFICATION AND INSTALLATION DRAWING

REV: 0	SHEET: 2 OF 2	SHEET SIZE: PA3	SCALE: NTS
--------	---------------	-----------------	------------

DESIGNED BY: DATE:

DRAWN BY: W. MCNAIR DATE: 2019-03-29

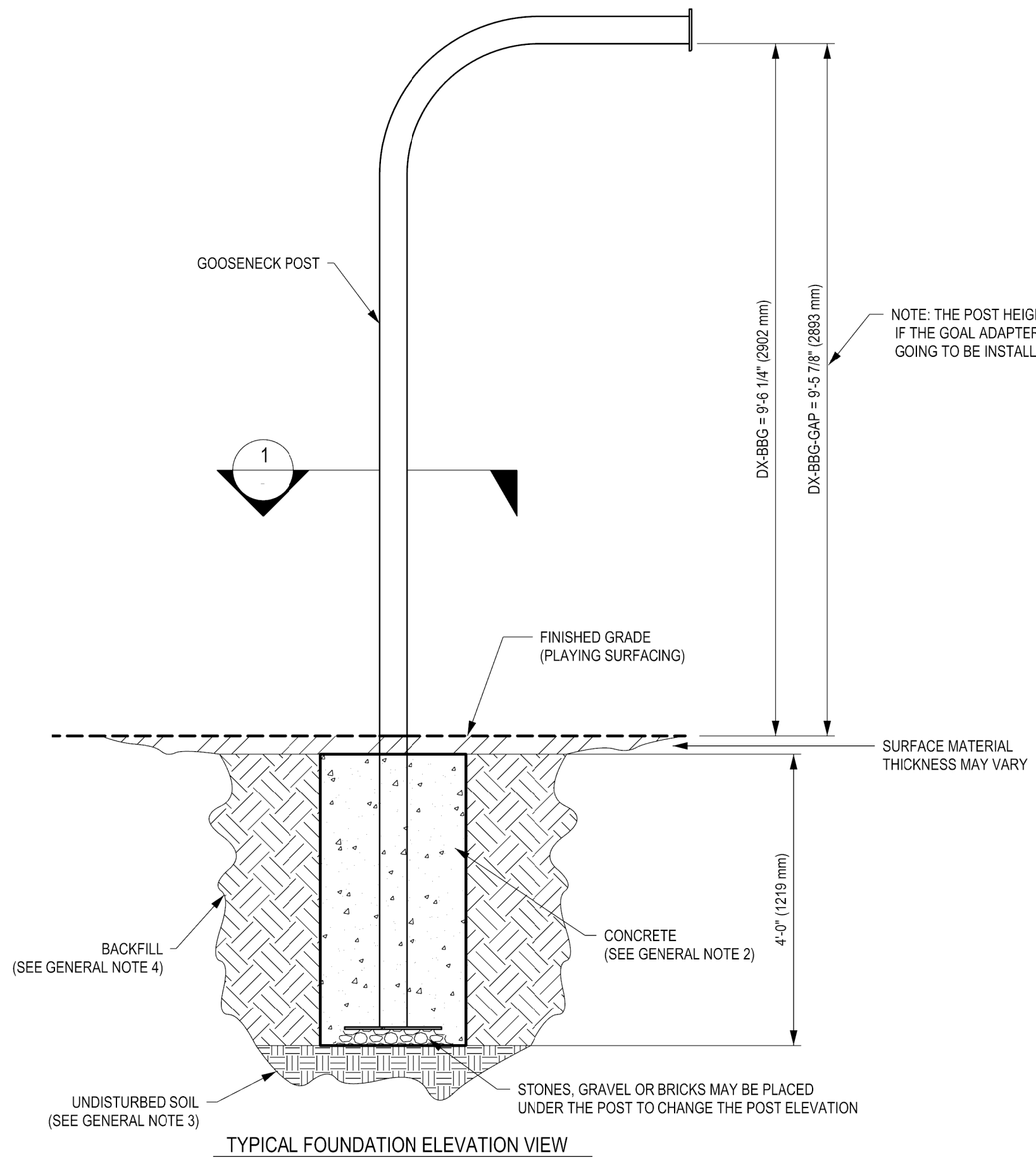
CHECKED BY: DATE:

REVIEWED BY: DATE:

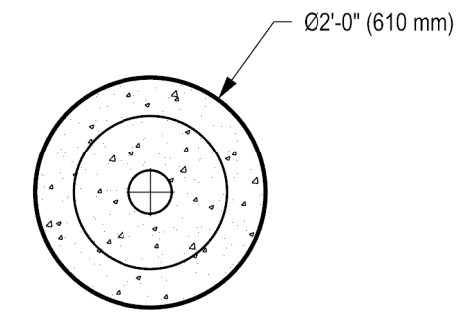
APPROVED BY: DATE:

**DYNAMO**  
PLAYGROUNDS

Local: 613-446-0030  
Toll free: 800-790-0034  
Email: info@dynamoplaygrounds.com  
Fax: 613-446-0034  
URL: www.dynamoplaygrounds.com



NOTE: THE POST HEIGHT VARIES, IF THE GOAL ADAPTER PLATE IS GOING TO BE INSTALLED.



1 TYPICAL FOUNDATION PLAN VIEW

TYPICAL FOUNDATION ELEVATION VIEW