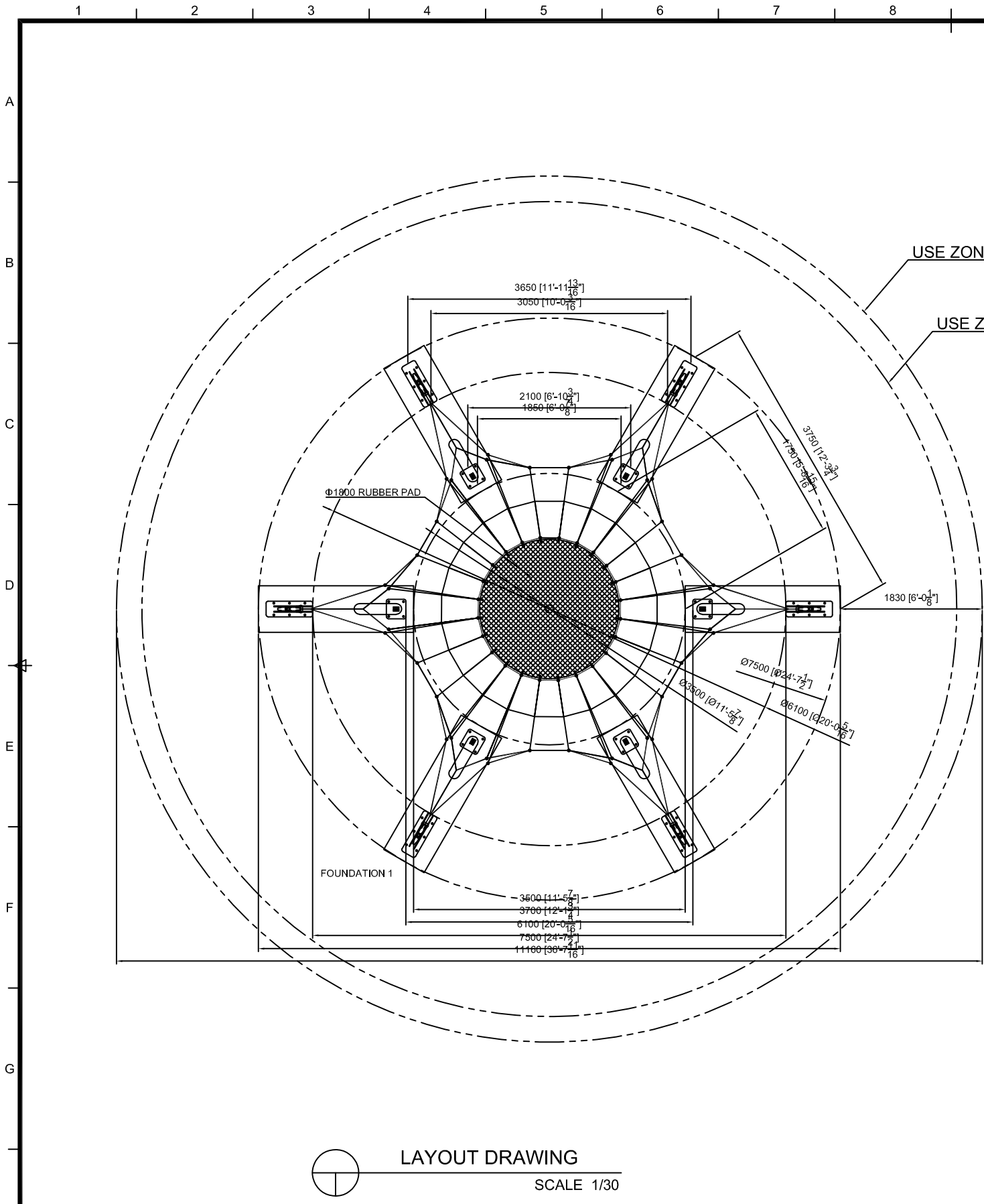
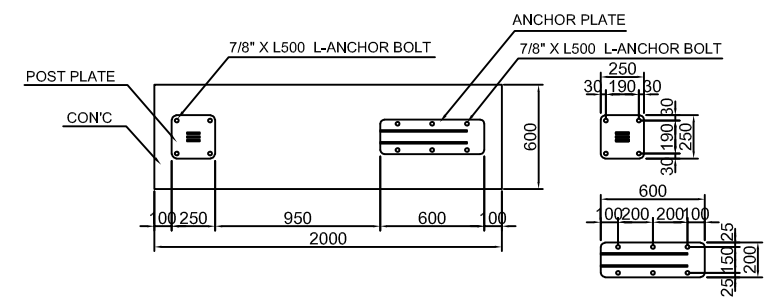


RevNo	Revision note	Date	Signature	Checked

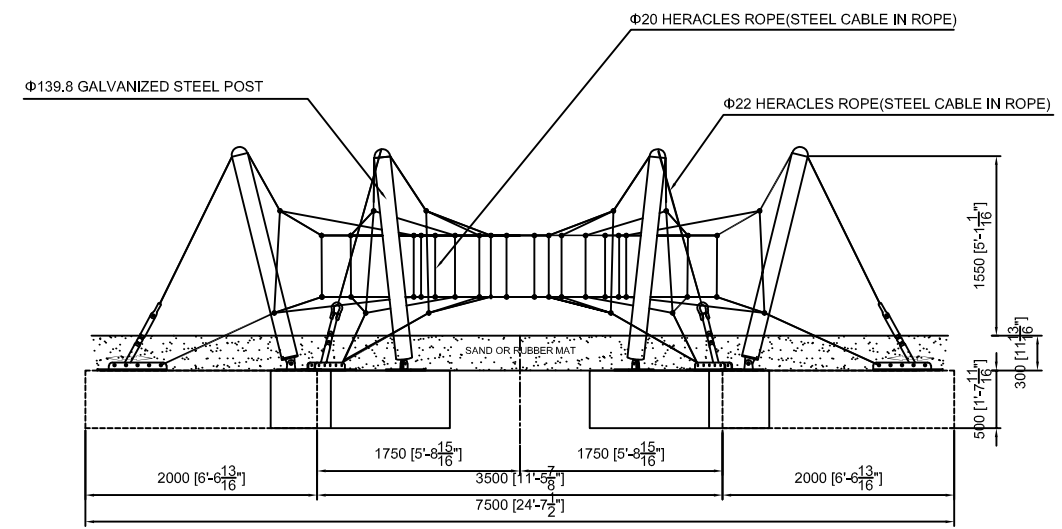
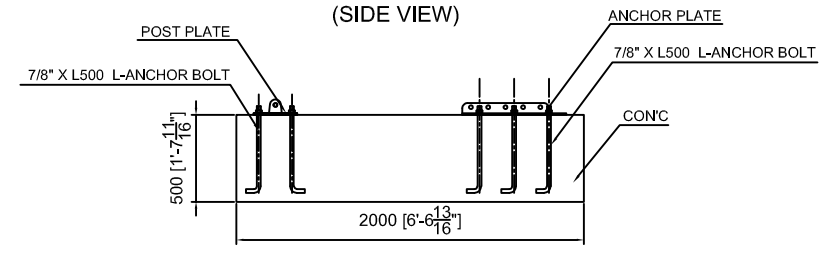


LAYOUT DRAWING
SCALE 1/30

FOUNDATION 1 DETAIL
(PLAN)



FOUNDATION 1 DETAIL
(SIDE VIEW)



FRONT VIEW
SCALE 1/30

	Itemref	Quantity	Title/Name, designation, material, dimension etc		Article No./Reference
	Designed by XXX	Checked by 11-2	Approved by - date XXX - 09/05/01	Filename DX-1102.dwg	Date 09/05/01
SPIDER LARGE					DX-1102
					Edition 0
					Sheet 1/1