

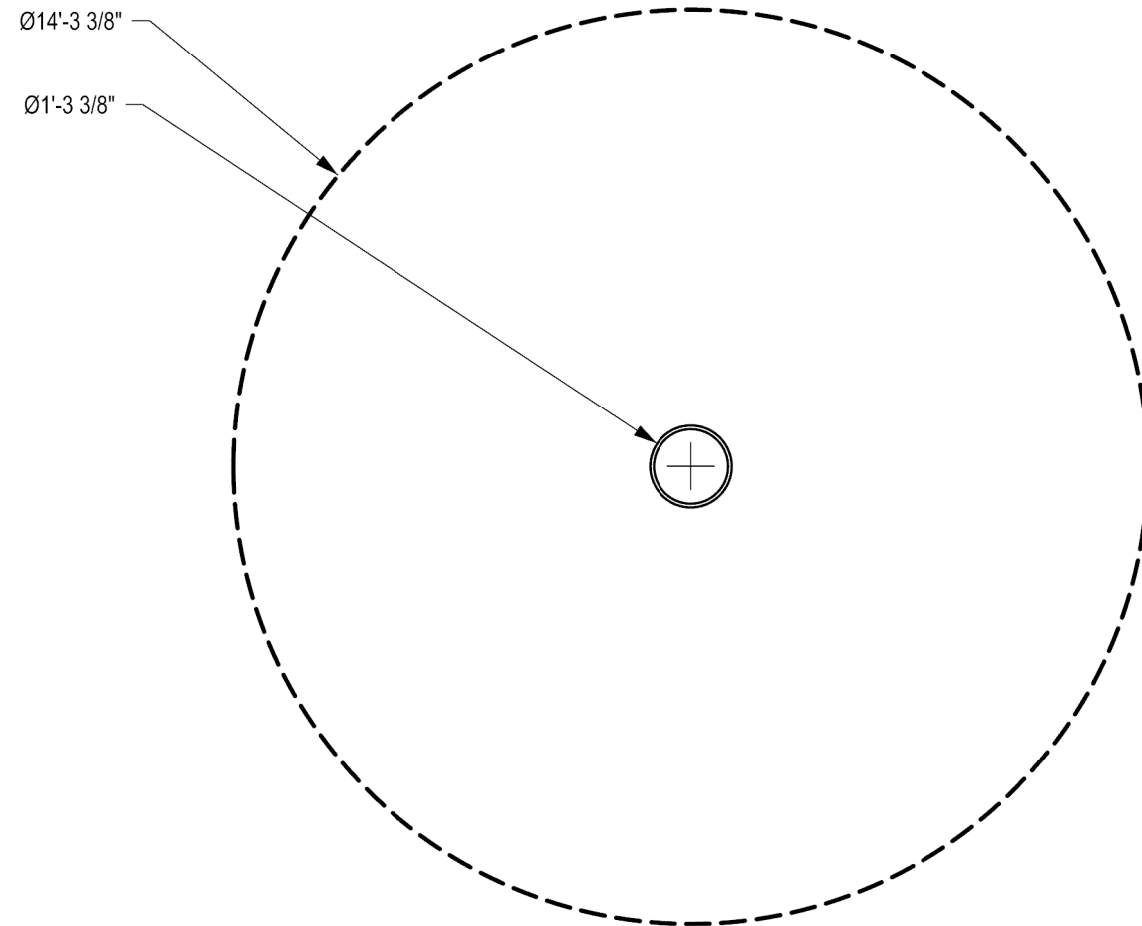
**This layout document provides foundation details for the preferred unitary surfacing installation. Loose fill surfacing may be an option for this product. Please inquire to determine whether this is possible prior to specifying in a project.**

**USE ZONE DRAWING APPLIES TO THE FOLLOWING PRODUCTS**

CPS-0044-01	TOADSTOOLS 30 CM
CPS-0044-02	TOADSTOOLS 40 CM
CPS-0044-03	TOADSTOOLS 50 CM
CPS-0044-04	TOADSTOOLS 60 CM

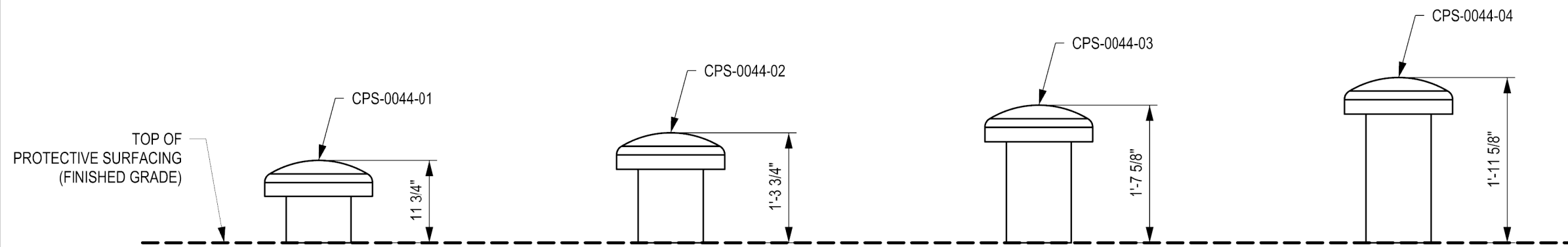
DOCUMENT No: 200-101-176

REVISION HISTORY					
REV	DESCRIPTION	REF. No.	DATE	DRWN BY:	RWD BY:
0	INITIAL RELEASE	WO# 857	2020-11-09	JC	WM



1 MUSHROOM ASTM USE ZONE PLAN VIEW (ALL HEIGHTS)

NOTES:  
 1. THE FOUR PRODUCTS SPECIFIED IN THIS DRAWING ARE SOLD SEPERATELY.  
 2. IF PRODUCTS ARE CONSIDERED FUNCTINALLY LINKED, THE PRODUCTS MAY HAVE OVERLAPPING USE ZONES (CHECK WITH GOVERNING PLAYGROUND STANDARDS).



2 MUSHROOM ELEVATION VIEW

ENGINEERING SEAL:

CLIENT:	STOCK
PROJECT NAME:	STOCK
PRODUCT NO:	SEE LIST

DRAWING TITLE:  
**TOADSTOOLS  
 ASTM USE ZONE**

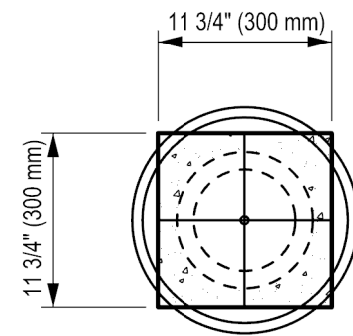
REV:	SHEET:	SHEET SIZE:	SCALE:
0	1 OF 1	PA3	NTS

DESIGNED BY:	DATE:
DRAWN BY: J.CHEN	DATE: 2020-11-09
CHECKED BY: W. MCNAIR	DATE: 2021-01-13
REVIEWED BY:	DATE:
APPROVED BY:	DATE:

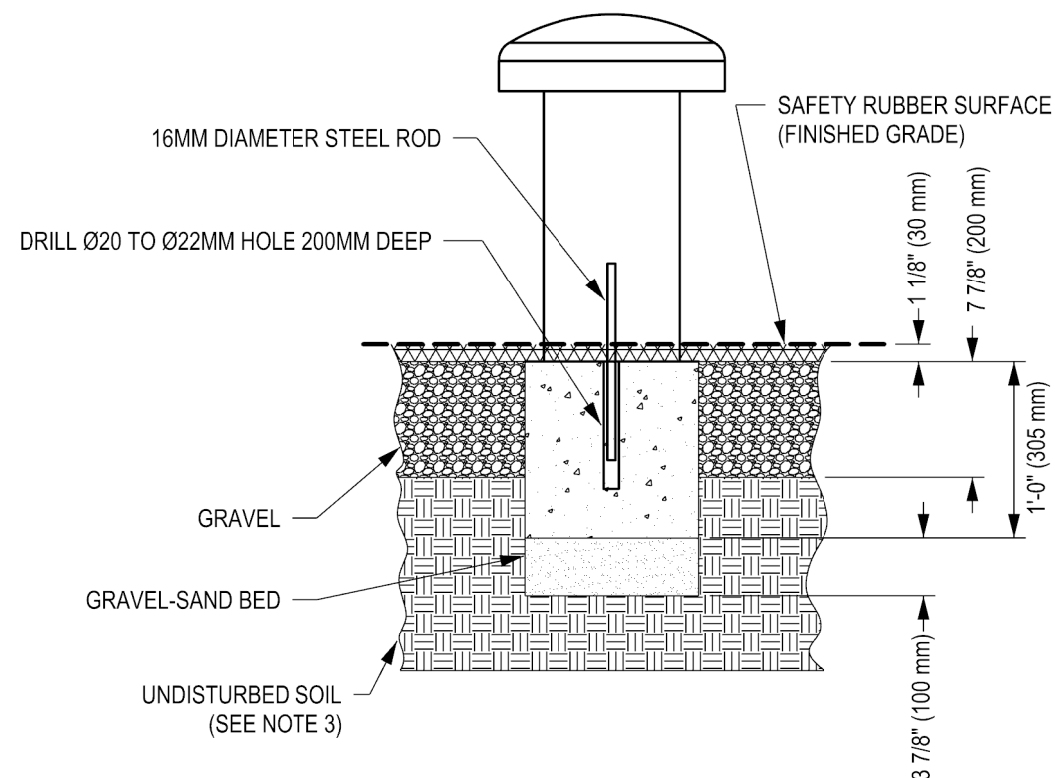


Local: 613-446-0030  
 Toll free: 800-790-0034  
 Email: info@dynamoplaygrounds.com

*This layout document provides foundation details for the preferred unitary surfacing installation. Loose fill surfacing may be an option for this product. Please inquire to determine whether this is possible prior to specifying in a project.*



1 FOUNDATION DETAIL PLAN VIEW



2 FOUNDATION DETAIL ELEVATION VIEW

**GENERAL NOTES:**

1. THE FOUNDATION IN THE DRAWING TO BE USED AS A MINIMUM GUIDELINE. CHECK WITH LOCAL ENGINEERS
2. THE CONCRETE SHALL BE GRADE C25 (CHARACTERISTIC STRENGTH OF 3500 PSI AT 28 DAYS) MINIMUM.
3. THE FOUNDATION SHALL BE PLACED ON FIRM, UNDISTURBED SOIL SURFACE. WHEREVER EXCAVATION OCCURS BELOW THE DESIGNED FOUNDATION LEVEL, WELL COMPACTED BACK FILL OR LEAN CONCRETE SHALL BE USED FOR LEVELING.
4. BACKFILLING FOR FOUNDATION SHALL BE PLACED EVENLY IN 6" (150mm) LAYERS. LAYERS SHALL BE WELL COMPACTED.

DOCUMENT No:		200-001-324											
REVISION HISTORY													
REV	DESCRIPTION	REF. No.	DATE	DRWN BY:	RWD BY:								
0	Initial Release	WO# 857	2020-11-24	CF	WM								
ENGINEERING SEAL:													
CLIENT:		STOCK											
PROJECT NAME:		STOCK											
PRODUCT NO:		SEE LIST											
DRAWING TITLE: TOADSTOOLS FOUNDATION DRAWING													
REV:	SHEET:	SHEET SIZE:	SCALE:										
0	1 OF 1	PA3	NTS										
DESIGNED BY:		DATE:											
DRAWN BY:		DATE:											
CHECKED BY:		DATE:											
REVIEWED BY:		DATE:											
APPROVED BY:		DATE:											
<p><b>FOUNDATION DRAWING APPLIES TO THE FOLLOWING PRODUCTS</b></p> <table border="1"> <tr> <td>CPS-0044-01</td> <td>TOADSTOOLS 30 CM</td> </tr> <tr> <td>CPS-0044-02</td> <td>TOADSTOOLS 40 CM</td> </tr> <tr> <td>CPS-0044-03</td> <td>TOADSTOOLS 50 CM</td> </tr> <tr> <td>CPS-0044-04</td> <td>TOADSTOOLS 60 CM</td> </tr> </table>						CPS-0044-01	TOADSTOOLS 30 CM	CPS-0044-02	TOADSTOOLS 40 CM	CPS-0044-03	TOADSTOOLS 50 CM	CPS-0044-04	TOADSTOOLS 60 CM
CPS-0044-01	TOADSTOOLS 30 CM												
CPS-0044-02	TOADSTOOLS 40 CM												
CPS-0044-03	TOADSTOOLS 50 CM												
CPS-0044-04	TOADSTOOLS 60 CM												