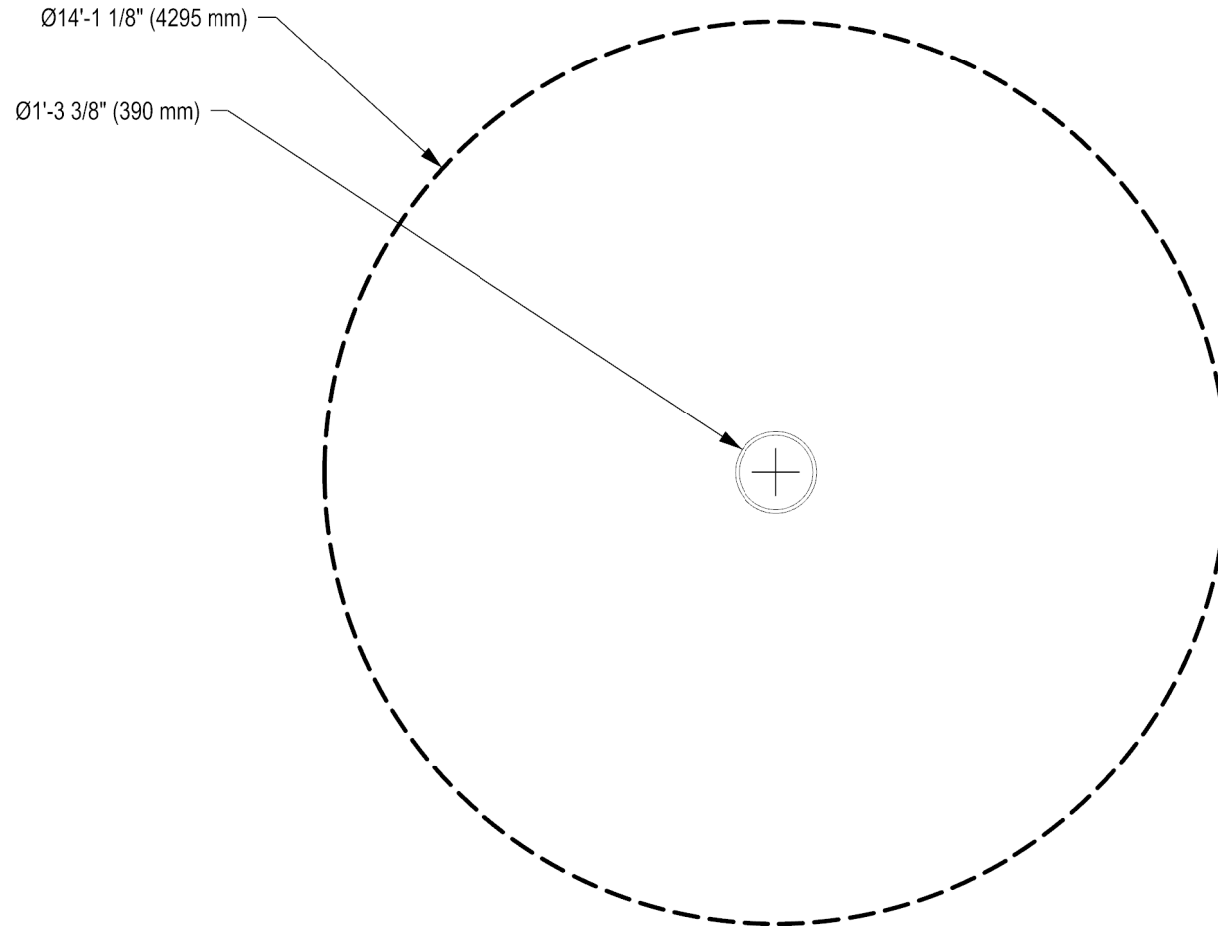


This layout document provides foundation details for the preferred unitary surfacing installation. Loose fill surfacing may be an option for this product. Please inquire to determine whether this is possible prior to specifying in a project.

USE ZONE DRAWING APPLIES TO THE FOLLOWING PRODUCTS

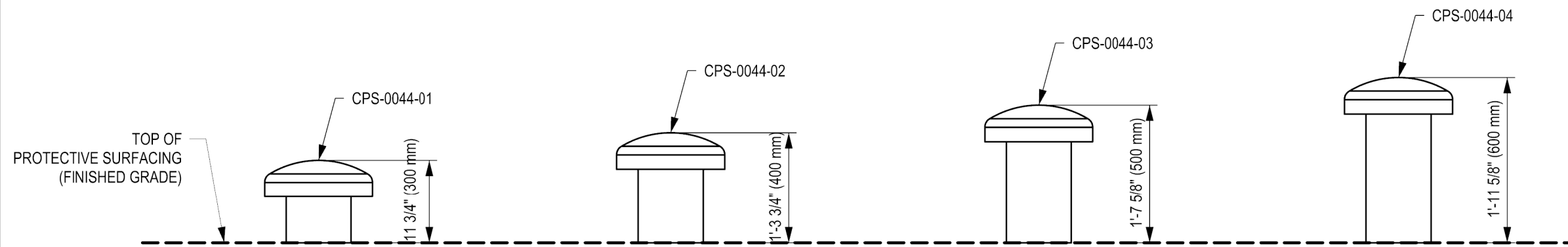
CPS-0044-01	TOADSTOOLS 30 CM
CPS-0044-02	TOADSTOOLS 40 CM
CPS-0044-03	TOADSTOOLS 50 CM
CPS-0044-04	TOADSTOOLS 60 CM

DOCUMENT No:	200-101-177				
REVISION HISTORY					
REV	DESCRIPTION	REF. No.	DATE	DRWN BY:	RWD BY:
0	INITIAL RELEASE	WO# 857	2020-11-09	JC	WM



1 MUSHROOM CSA USE ZONE PLAN VIEW (ALL HEIGHTS)

NOTES:
 1. THE FOUR PRODUCTS SPECIFIED IN THIS DRAWING ARE SOLD SEPERATELY.
 2. IF PRODUCTS ARE CONSIDERED FUNCTINALLY LINKED, THE PRODUCTS MAY HAVE OVERLAPPING USE ZONES (CHECK WITH GOVERNING PLAYGROUND STANDARDS).



2 MUSHROOM ELEVATION VIEW

ENGINEERING SEAL:

CLIENT:	STOCK
PROJECT NAME:	STOCK
PRODUCT NO:	SEE LIST

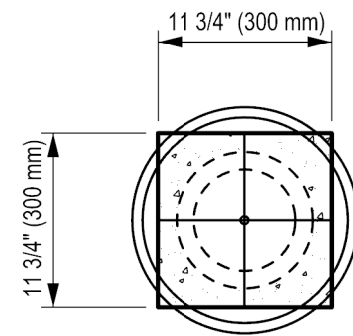
DRAWING TITLE:
**TOADSTOOLS
 CSA USE ZONE**

REV:	SHEET:	SHEET SIZE:	SCALE:
0	1 OF 1	PA3	NTS
DESIGNED BY:	DATE:		
DRAWN BY:	J.CHEN	DATE: 2020-11-09	
CHECKED BY:	W. MCNAIR	DATE: 2021-01-13	
REVIEWED BY:	DATE:		
APPROVED BY:	DATE:		

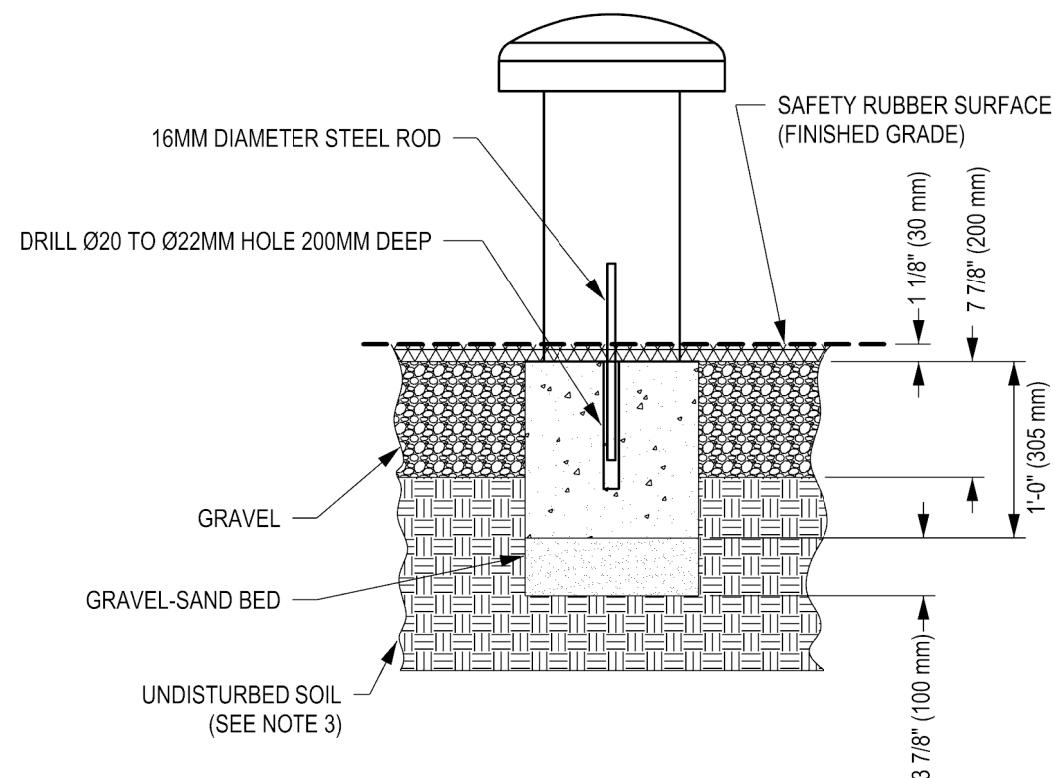


Local: 613-446-0030
 Toll free: 800-790-0034
 Email: info@dynamoplaygrounds.com

This layout document provides foundation details for the preferred unitary surfacing installation. Loose fill surfacing may be an option for this product. Please inquire to determine whether this is possible prior to specifying in a project.




1 FOUNDATION DETAIL PLAN VIEW



2 FOUNDATION DETAIL ELEVATION VIEW

GENERAL NOTES:

1. THE FOUNDATION IN THE DRAWING TO BE USED AS A MINIMUM GUIDELINE. CHECK WITH LOCAL ENGINEERS
2. THE CONCRETE SHALL BE GRADE C25 (CHARACTERISTIC STRENGTH OF 3500 PSI AT 28 DAYS) MINIMUM.
3. THE FOUNDATION SHALL BE PLACED ON FIRM, UNDISTURBED SOIL SURFACE. WHEREVER EXCAVATION OCCURS BELOW THE DESIGNED FOUNDATION LEVEL, WELL COMPACTED BACK FILL OR LEAN CONCRETE SHALL BE USED FOR LEVELING.
4. BACKFILLING FOR FOUNDATION SHALL BE PLACED EVENLY IN 6" (150mm) LAYERS. LAYERS SHALL BE WELL COMPACTED.

DOCUMENT No:		200-001-324			
REVISION HISTORY					
REV	DESCRIPTION	REF. No.	DATE	DRWN BY:	RWD BY:
0	Initial Release	WO# 857	2020-11-24	CF	WM
ENGINEERING SEAL:					
CLIENT:		STOCK			
PROJECT NAME:		STOCK			
PRODUCT NO:		SEE LIST			
DRAWING TITLE: TOADSTOOLS FOUNDATION DRAWING					
REV:	SHEET:	SHEET SIZE:	SCALE:		
0	1 OF 1	PA3	NTS		
DESIGNED BY:		DATE:			
DRAWN BY:		C. FUNG		DATE: 2020-11-24	
CHECKED BY:		W. MCNAIR		DATE: 2021-01-13	
REVIEWED BY:		DATE:			
APPROVED BY:		DATE:			
FOUNDATION DRAWING APPLIES TO THE FOLLOWING PRODUCTS					
CPS-0044-01	TOADSTOOLS 30 CM				
CPS-0044-02	TOADSTOOLS 40 CM				
CPS-0044-03	TOADSTOOLS 50 CM				
CPS-0044-04	TOADSTOOLS 60 CM				
 IT'S HOW WE PLAY TOGETHER Local: 613-446-0030 Toll free: 800-790-0034 Email: info@dynamoplaygrounds.com					