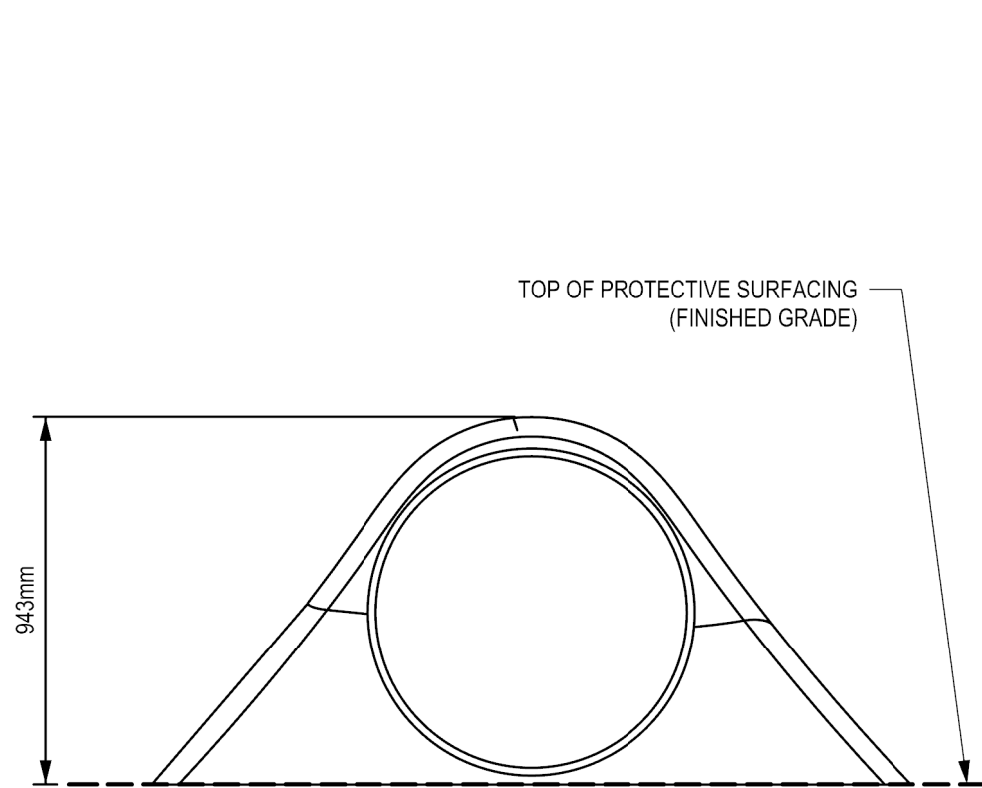
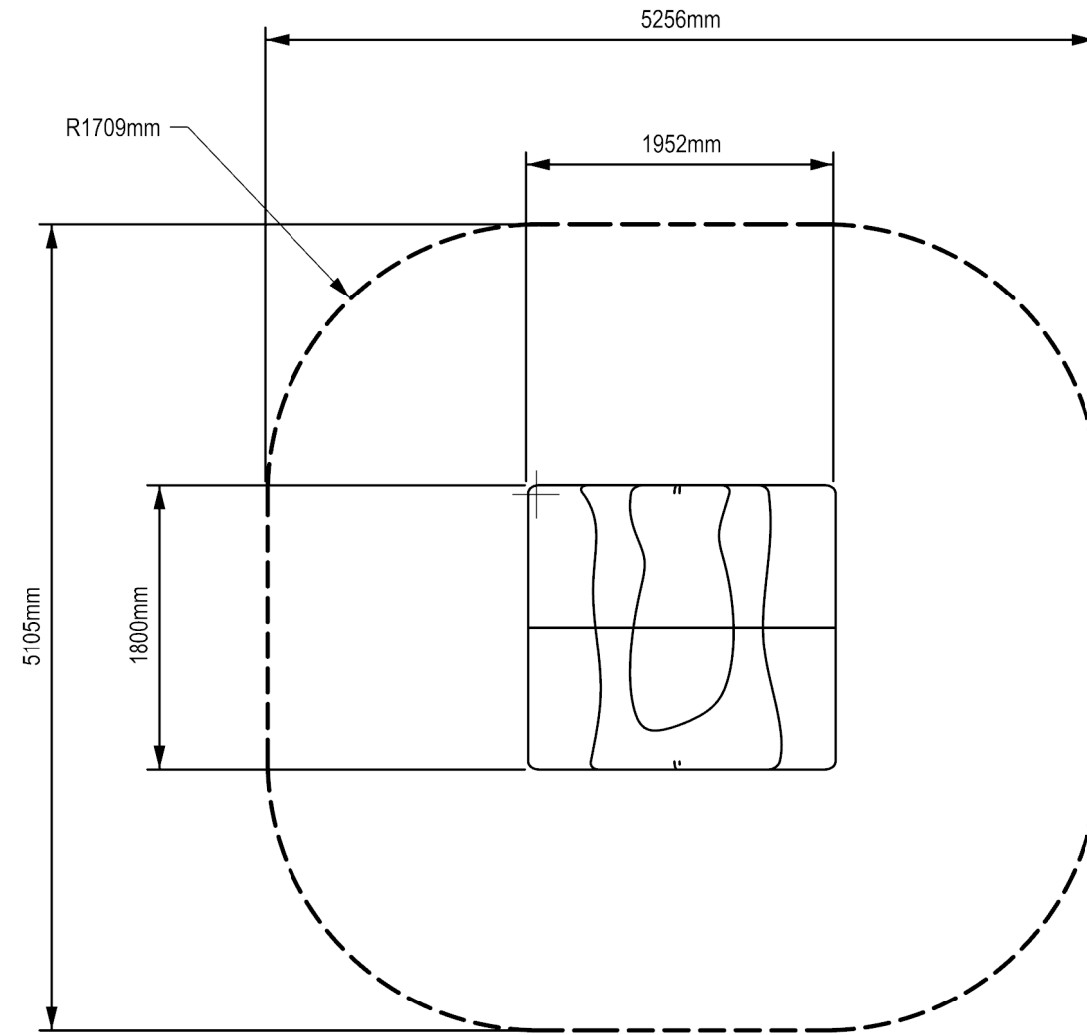


**This layout document provides foundation details for the preferred unitary surfacing installation. Loose fill surfacing may be an option for this product. Please inquire to determine whether this is possible prior to specifying in a project.**



1 ELEVATION VIEW



2 EN USE ZONE PLAN VIEW

DOCUMENT No: 200-001-186

REVISION HISTORY					
REV	DESCRIPTION	REF. No.	DATE	DRWN BY:	RWD BY:
0	Initial Release	WO# 877	2020-11-10	CF	WM

ENGINEERING SEAL:

CLIENT: STOCK

PROJECT NAME: STOCK

PRODUCT NO: CPM-0053

DRAWING TITLE:  
MOUND BURROW EN USE ZONE

REV: 0	SHEET: 1 OF 1	SHEET SIZE: PA3	SCALE: NTS
--------	---------------	-----------------	------------

DESIGNED BY: DATE:

DRAWN BY: C. FUNG DATE: 2020-11-10

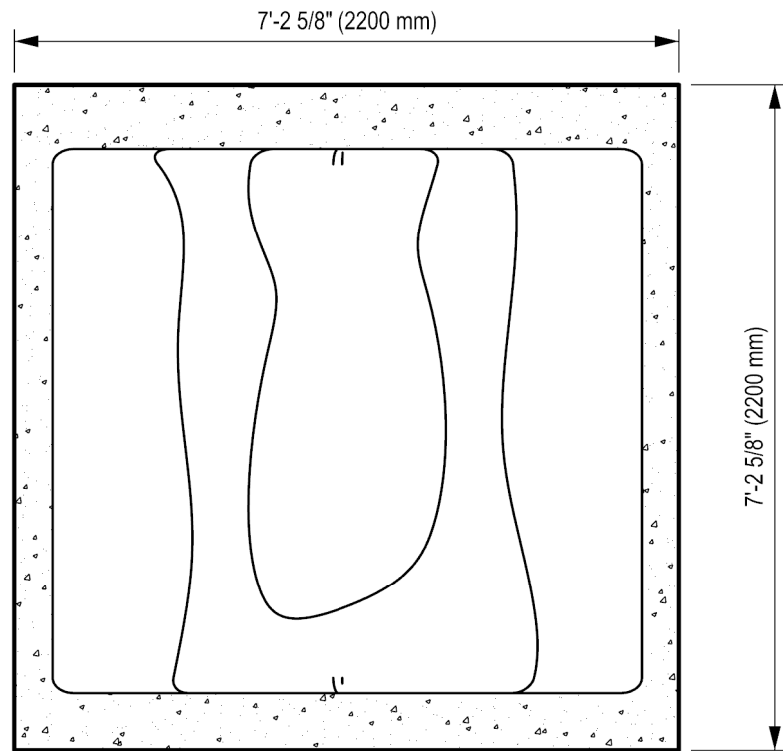
CHECKED BY: W. MCNAIR DATE: 2020-01-12

REVIEWED BY: DATE:

APPROVED BY: DATE:



Local: 613-446-0030  
Toll free: 800-790-0034  
Email: info@dynamoplaygrounds.com

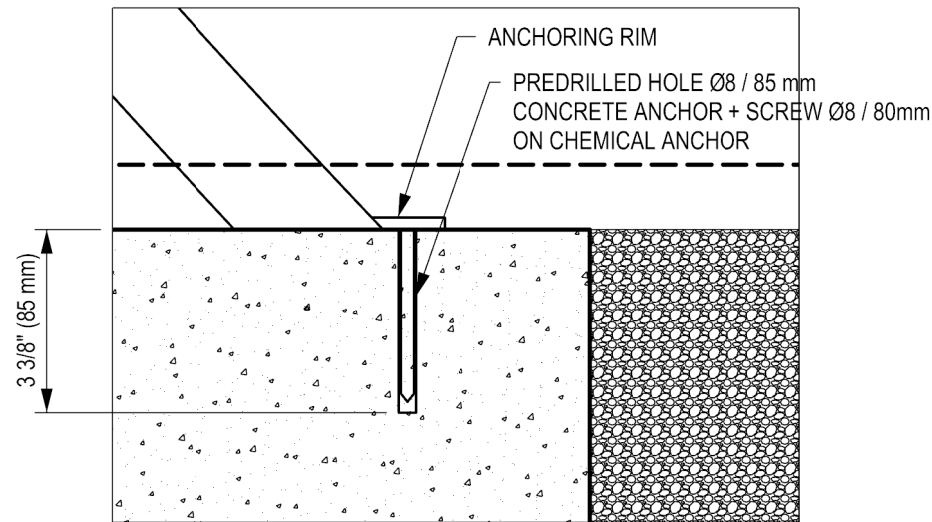


1 FOUNDATION DETAIL PLAN VIEW

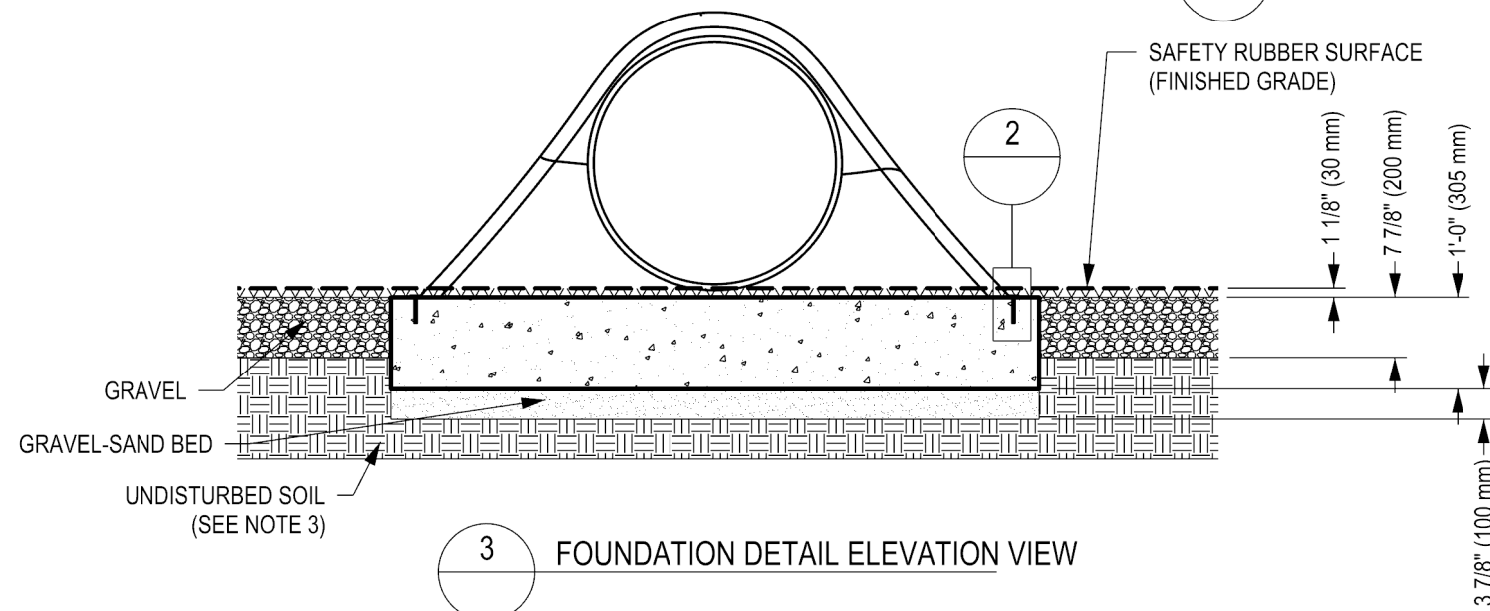
*This layout document provides foundation details for the preferred unitary surfacing installation. Loose fill surfacing may be an option for this product. Please inquire to determine whether this is possible prior to specifying in a project.*

**GENERAL NOTES:**


1. THE FOUNDATION IN THE DRAWING TO BE USED AS A MINIMUM GUIDELINE. CHECK WITH LOCAL ENGINEERS
2. THE CONCRETE SHALL BE GRADE C25 (CHARACTERISTIC STRENGTH OF 3500 PSI AT 28 DAYS) MINIMUM.
3. THE FOUNDATION SHALL BE PLACED ON FIRM, UNDISTURBED SOIL SURFACE. WHEREVER EXCAVATION OCCURS BELOW THE DESIGNED FOUNDATION LEVEL, WELL COMPACTED BACK FILL OR LEAN CONCRETE SHALL BE USED FOR LEVELING.
4. BACKFILLING FOR FOUNDATION SHALL BE PLACED EVENLY IN 6" (150mm) LAYERS. LAYERS SHALL BE WELL COMPACTED.



2 ANCHORING DETAIL VIEW



3 FOUNDATION DETAIL ELEVATION VIEW

DOCUMENT No:		200-001-332			
REVISION HISTORY					
REV	DESCRIPTION	REF. No.	DATE	DRWN BY:	RWD BY:
0	Initial Release	WO# 877	2020-11-26	CF	WM
ENGINEERING SEAL:					
CLIENT:		STOCK			
PROJECT NAME:		STOCK			
PRODUCT NO:		CPM-0053			
DRAWING TITLE:					
<b>MOUND BURROW FOUNDATION DRAWING</b>					
REV:	SHEET:	SHEET SIZE:	SCALE:		
0	1 OF 1	PA3	NTS		
DESIGNED BY:		DATE:			
DRAWN BY:		C. FUNG		DATE: 2020-11-27	
CHECKED BY:		W. MCNAIR		DATE: 2020-01-12	
REVIEWED BY:		DATE:			
APPROVED BY:		DATE:			
 <b>IT'S HOW WE PLAY TOGETHER</b> Local: 613-446-0030 Toll free: 800-790-0034 Email: info@dynamoplaygrounds.com					