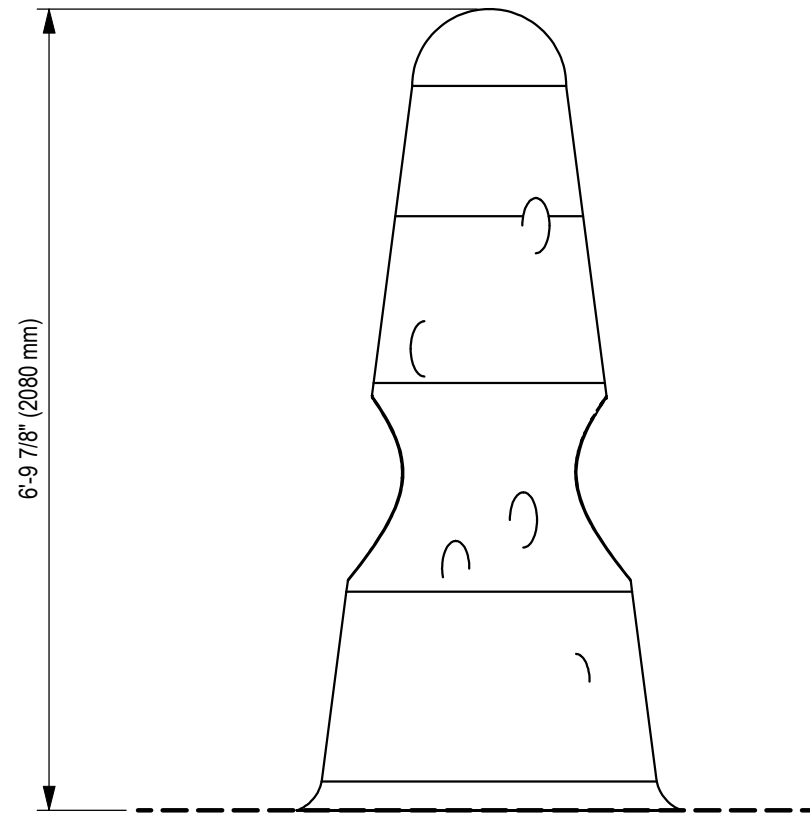
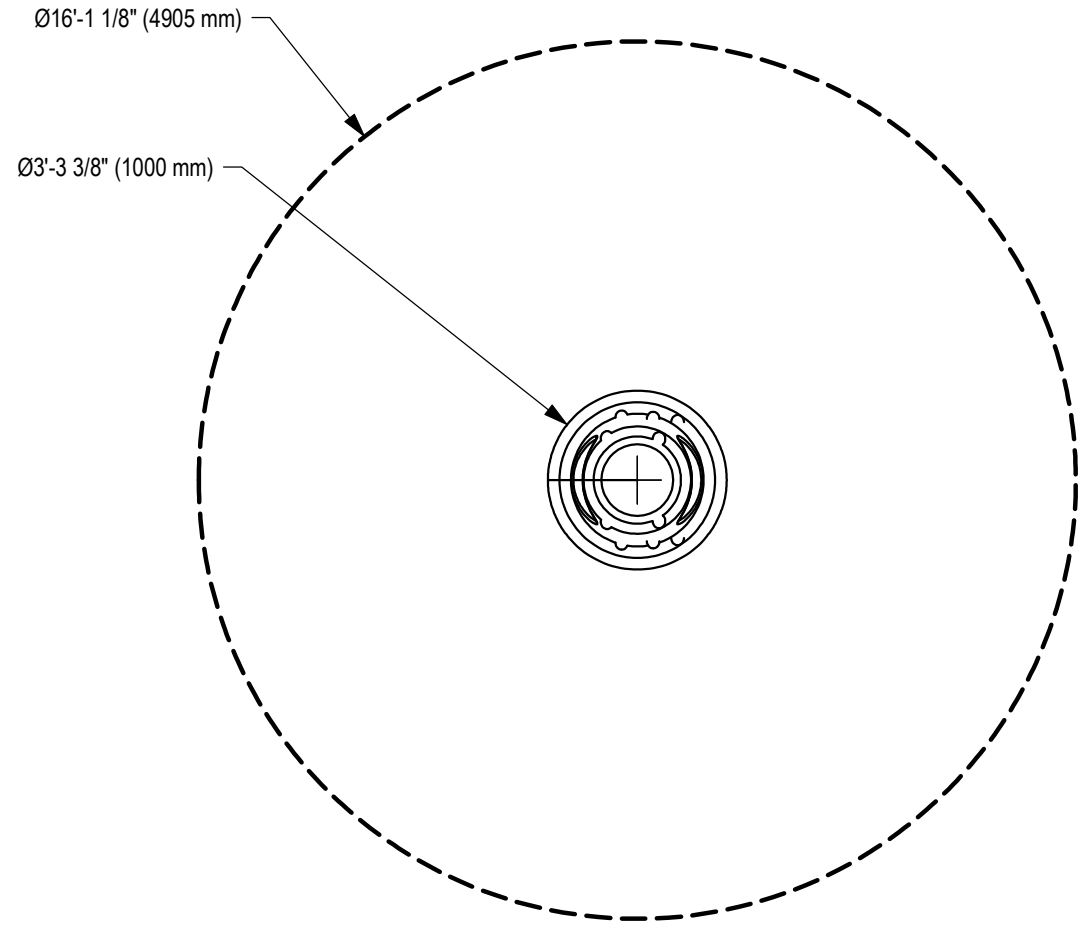


This layout document provides foundation details for the preferred unitary surfacing installation. Loose fill surfacing may be an option for this product. Please inquire to determine whether this is possible prior to specifying in a project.

| | | | | | |
|------------------|-----------------|----------|------------|----------|---------|
| DOCUMENT No: | 200-001-181 | | | | |
| REVISION HISTORY | | | | | |
| REV | DESCRIPTION | REF. No. | DATE | DRWN BY: | RWD BY: |
| 0 | Initial Release | WO# 873 | 2020-11-10 | CF | WM |



1 CONE CLIMBER ELEVATION VIEW



2 CONE CLIMBER CSA USE ZONE

ENGINEERING SEAL:

CLIENT: STOCK
 PROJECT NAME: STOCK
 PRODUCT NO: SEE LIST

DRAWING TITLE:
CONE CLIMBER/ CONE TUNNELS/ CASTLE CLIMBER CSA USE ZONE

| | | | |
|--------|---------------|-----------------|------------|
| REV: 0 | SHEET: 1 OF 1 | SHEET SIZE: PA3 | SCALE: NTS |
|--------|---------------|-----------------|------------|

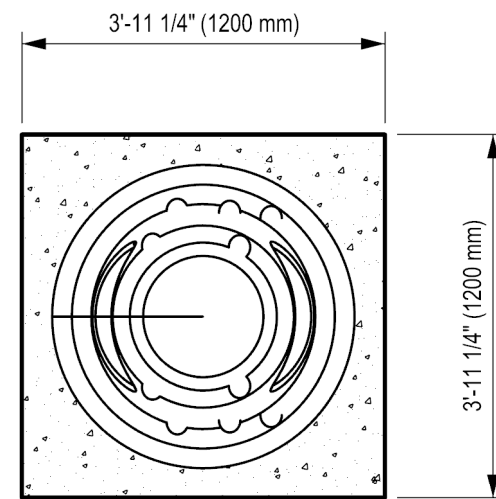
| | |
|-----------------------|------------------|
| DESIGNED BY: | DATE: |
| DRAWN BY: C. FUNG | DATE: 2020-11-10 |
| CHECKED BY: W. MCNAIR | DATE: 2020-01-12 |
| REVIEWED BY: | DATE: |
| APPROVED BY: | DATE: |

| | |
|--|----------------|
| USE ZONE APPLIES TO THE FOLLOWING PRODUCTS: | |
| CPM-0049 | CONE CLIMBER |
| CPM-0050 | CONE TUNNELS |
| CPM-0051 | CASTLE CLIMBER |

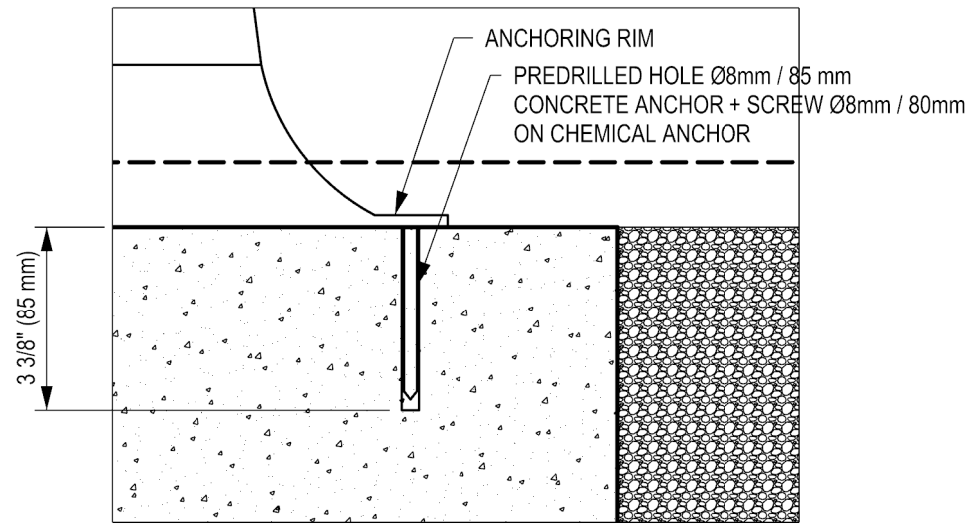
This layout document provides foundation details for the preferred unitary surfacing installation. Loose fill surfacing may be an option for this product. Please inquire to determine whether this is possible prior to specifying in a project.

GENERAL NOTES:

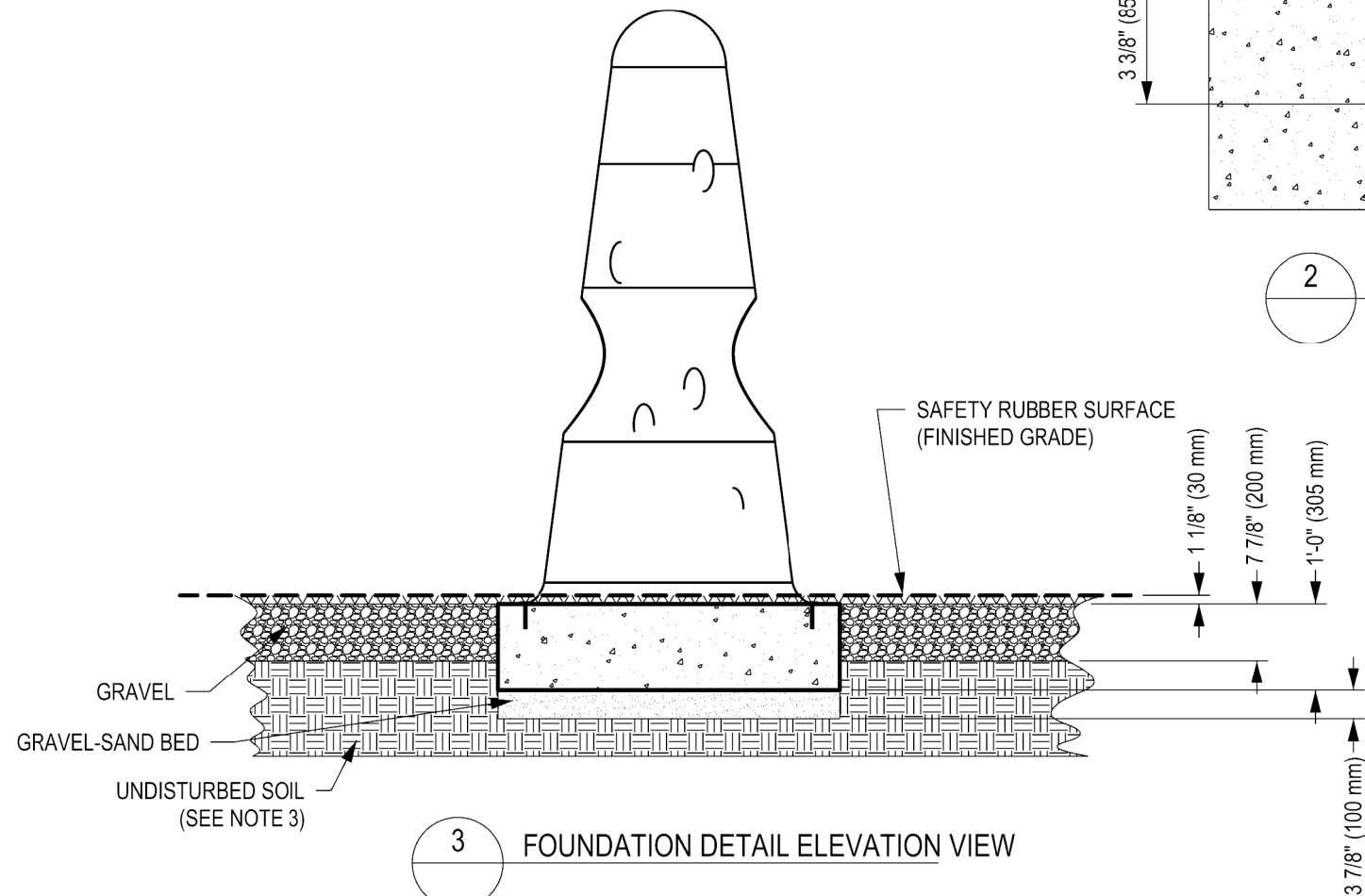
1. THE FOUNDATION IN THE DRAWING TO BE USED AS A MINIMUM GUIDELINE. CHECK WITH LOCAL ENGINEERS
2. THE CONCRETE SHALL BE GRADE C25 (CHARACTERISTIC STRENGTH OF 3500 PSI AT 28 DAYS) MINIMUM.
3. THE FOUNDATION SHALL BE PLACED ON FIRM, UNDISTURBED SOIL SURFACE. WHEREVER EXCAVATION OCCURS BELOW THE DESIGNED FOUNDATION LEVEL, WELL COMPACTED BACK FILL OR LEAN CONCRETE SHALL BE USED FOR LEVELING.
4. BACKFILLING FOR FOUNDATION SHALL BE PLACED EVENLY IN 6" (150mm) LAYERS. LAYERS SHALL BE WELL COMPACTED.



1 FOUNDATION DETAIL PLAN VIEW



2 ANCHORING DETAIL VIEW



3 FOUNDATION DETAIL ELEVATION VIEW

| | | | | | |
|------------------|-----------------|----------|------------|----------|---------|
| DOCUMENT No: | 200-001-331 | | | | |
| REVISION HISTORY | | | | | |
| REV | DESCRIPTION | REF. No. | DATE | DRWN BY: | RWD BY: |
| 0 | Initial Release | WO# 873 | 2020-11-26 | CF | WM |

ENGINEERING SEAL:

CLIENT: STOCK
 PROJECT NAME: STOCK
 PRODUCT NO: SEE LIST

DRAWING TITLE:
CONE SERIES FOUNDATION DRAWING

| | | | |
|-----------------------|------------------|-------------|--------|
| REV: | SHEET: | SHEET SIZE: | SCALE: |
| 0 | 1 OF 1 | PA3 | NTS |
| DESIGNED BY: | DATE: | | |
| DRAWN BY: C. FUNG | DATE: 2020-11-26 | | |
| CHECKED BY: W. MCNAIR | DATE: 2020-01-12 | | |
| REVIEWED BY: | DATE: | | |
| APPROVED BY: | DATE: | | |

| FOUNDATION APPLIES TO THE FOLLOWING PRODUCTS: | |
|---|----------------|
| CPM-0049 | CONE CLIMBER |
| CPM-0050 | CONE TUNNELS |
| CPM-0051 | CASTLE CLIMBER |