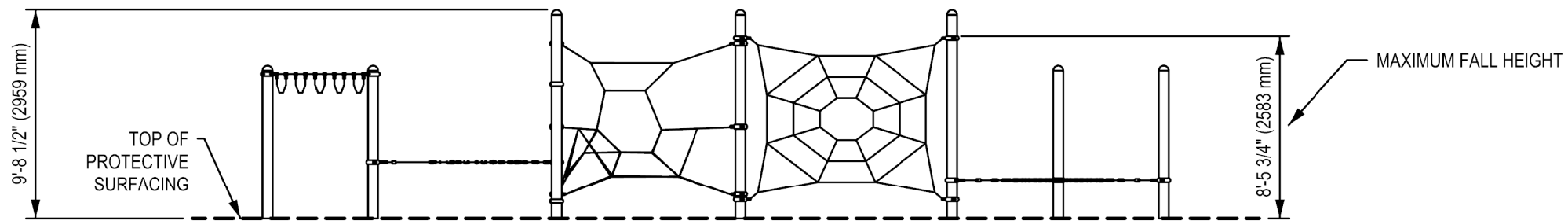


CSA USE ZONE - PLAN VIEW



ELEVATION VIEW

DOCUMENT No:		200-000-240			
REVISION HISTORY					
REV	DESCRIPTION	REF. No.	DATE	DRWN BY:	RWD BY:
0	Initial Release			JC	
1	Revised for the addition of collars.		2016-06-23	JC	
2	Doc No. added, Far left post moved by -1/4\"/>				

CLIENT:	STOCK
PROJECT NAME:	STOCK
PRODUCT NO:	IM-1003

DRAWING TITLE:
**PLAYLAND SMALL CSA
 USE ZONE (SAFETY AREA)
 DRAWING**

REV:	SHEET:	SHEET SIZE:	SCALE:
2	1 OF 1	PA3	NTS
DESIGNED BY:	W. MCNAIR	DATE:	2018-06-01
DRAWN BY:	W. MCNAIR	DATE:	2018-06-01
CHECKED BY:		DATE:	
CHECKED BY:		DATE:	
REVIEWED BY:		DATE:	

DYNAMO
 PLAYGROUNDS

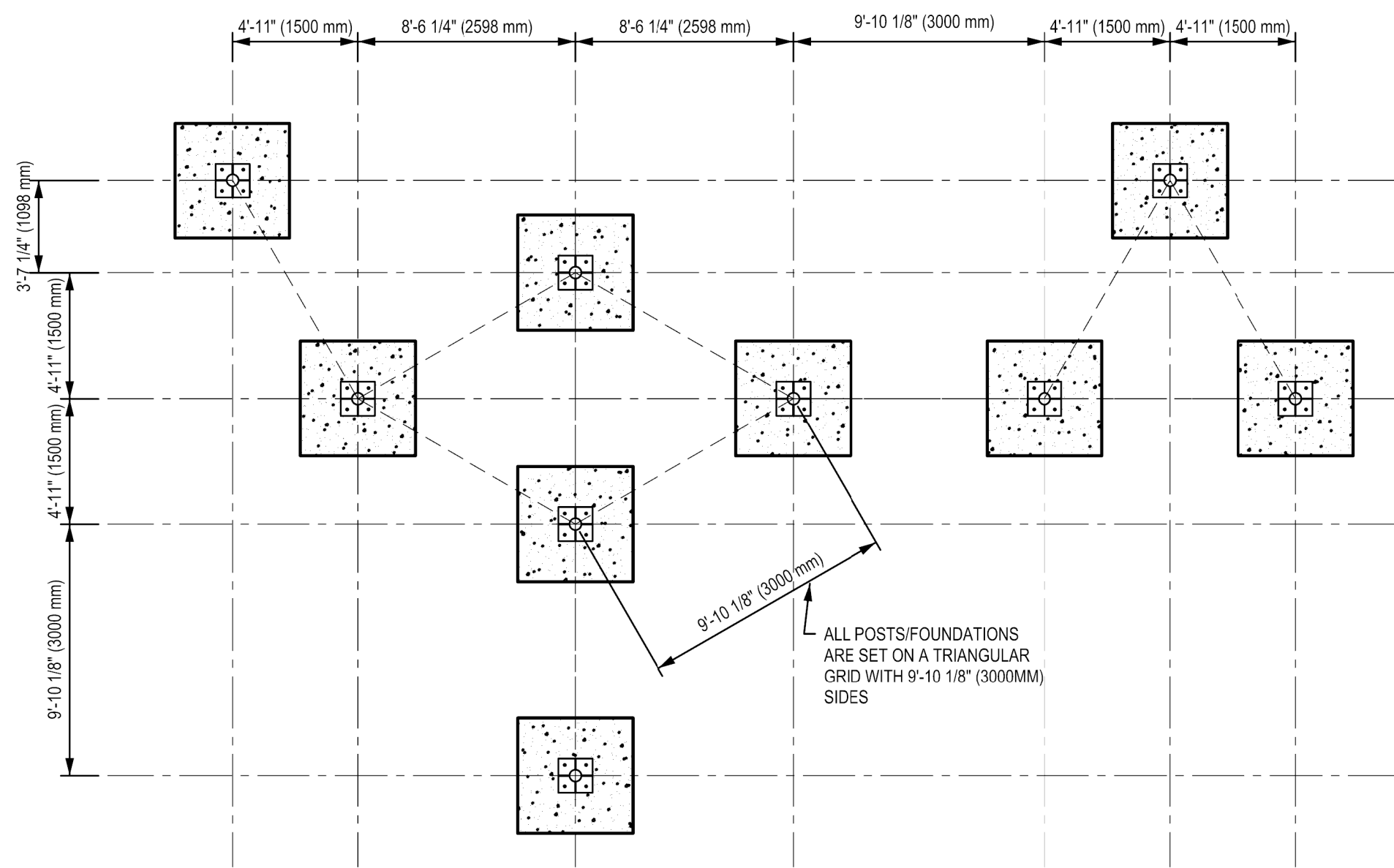


Local: 613-446-0030
 Toll free: 800-790-0034
 Email: info@dynamoplaygrounds.com
 Fax: 613-446-0034
 URL: www.dynamoplaygrounds.com

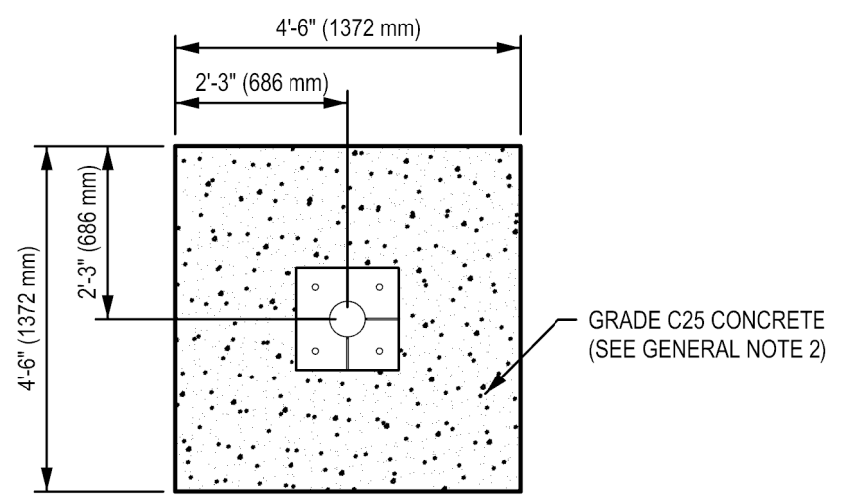
REVISION HISTORY					
REV	DESCRIPTION	REF. No.	DATE	DRWN BY:	RWD BY:
0	Initial Release with new foundation design	WO# 1799D			

GENERAL NOTES:

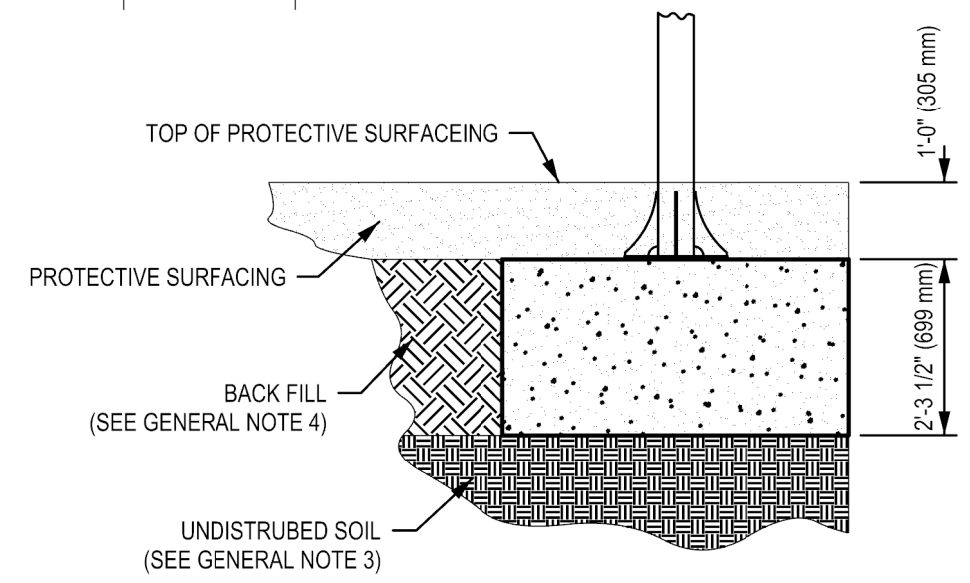
1. THE FOUNDATION IN THE DRAWING TO BE USED AS A MINIMUM GUIDELINE. CHECK WITH LOCAL ENGINEERS
2. THE CONCRETE SHALL BE GRADE C25 (CHARACTERISTIC STRENGTH OF 3500 PSI AT 28 DAYS) MINIMUM.
3. THE FOUNDATION SHALL BE PLACED ON FIRM, UNDISTURBED SOIL SURFACE. WHEREVER EXCAVATION OCCURS BELOW THE DESIGNED FOUNDATION LEVEL, WELL COMPACTED BACK FILL OR LEAN CONCRETE SHALL BE USED FOR LEVELING.
4. BACKFILLING FOR FOUNDATION SHALL BE PLACED EVENLY IN 6" (150mm) LAYERS. LAYERS SHALL BE WELL COMPACTED.
5. THE FOUNDATION DESIGN IS SUITABLE FOR SOIL WITH A BEARING CAPACITY OF 1600 PSF (80 KPA) AND ABOVE.
6. THE FOUNDATION DESIGN IS SUITABLE FOR SOIL WITH FROST LINE OF 4' (1200 MM) OR LESS.



FOUNDATION LAYOUT - PLAN VIEW



FOUNDATION DETAIL - PLAN VIEW



FOUNDATION DETAIL - ELEVATION VIEW

CLIENT: STOCK
 PROJECT NAME: STOCK
 PRODUCT NO: IM-1003

DRAWING TITLE:
PLAYLAND SMALL FOUNDATION DRAWING

REV:	SHEET:	SHEET SIZE:	SCALE:
0	1 OF 1	PA3	NTS
DESIGNED BY:	J. ZHAI	DATE:	2018-01-25
DRAWN BY:	W. MCNAIR	DATE:	2018-06-01
CHECKED BY:	D. BARLOW	DATE:	2018-06-04
APPROVED BY:		DATE:	
REVIEWED BY:		DATE:	

DYNAMO
 PLAYGROUNDS

Local: 613-446-0030
 Toll free: 800-790-0034
 Email: info@dynamoplaygrounds.com
 Fax: 613-446-0034
 URL: www.dynamoplaygrounds.com