

DOCUMENT NO: 200-000-138

REV. NO.	DESCRIPTION/REFERENCE	DATE

DRAWING TITLE: Playland EN Use Zone (Safety Area) Drawing

PRODUCT NO: IM-1002

	NAME	DATE
DESIGNER:		
DRAWN BY:	William McNair	2018-01-31
CHECKED BY:		
REVIEWED BY:		
APPROVED BY:		
SHEET SIZE: PA3	PAGE NO: 1 of 1	SCALE: NTS

**DYNAMO**  
PLAYGROUNDS

[www.dynamoplaygrounds.com](http://www.dynamoplaygrounds.com)  
[info@dynamoplaygrounds.com](mailto:info@dynamoplaygrounds.com)  
 Toll free: 800-790-0034  
 Local: 613-446-0030  
 Fax: 613-446-0034

REV. NO.	DESCRIPTION/REFERENCE	DATE
A	-FOOTING SIZES ADJUSTED	2018-02-08
B	-BASEPLATE CHANGED FROM RECTANGULAR TO CIRCULAR	2018-02-08

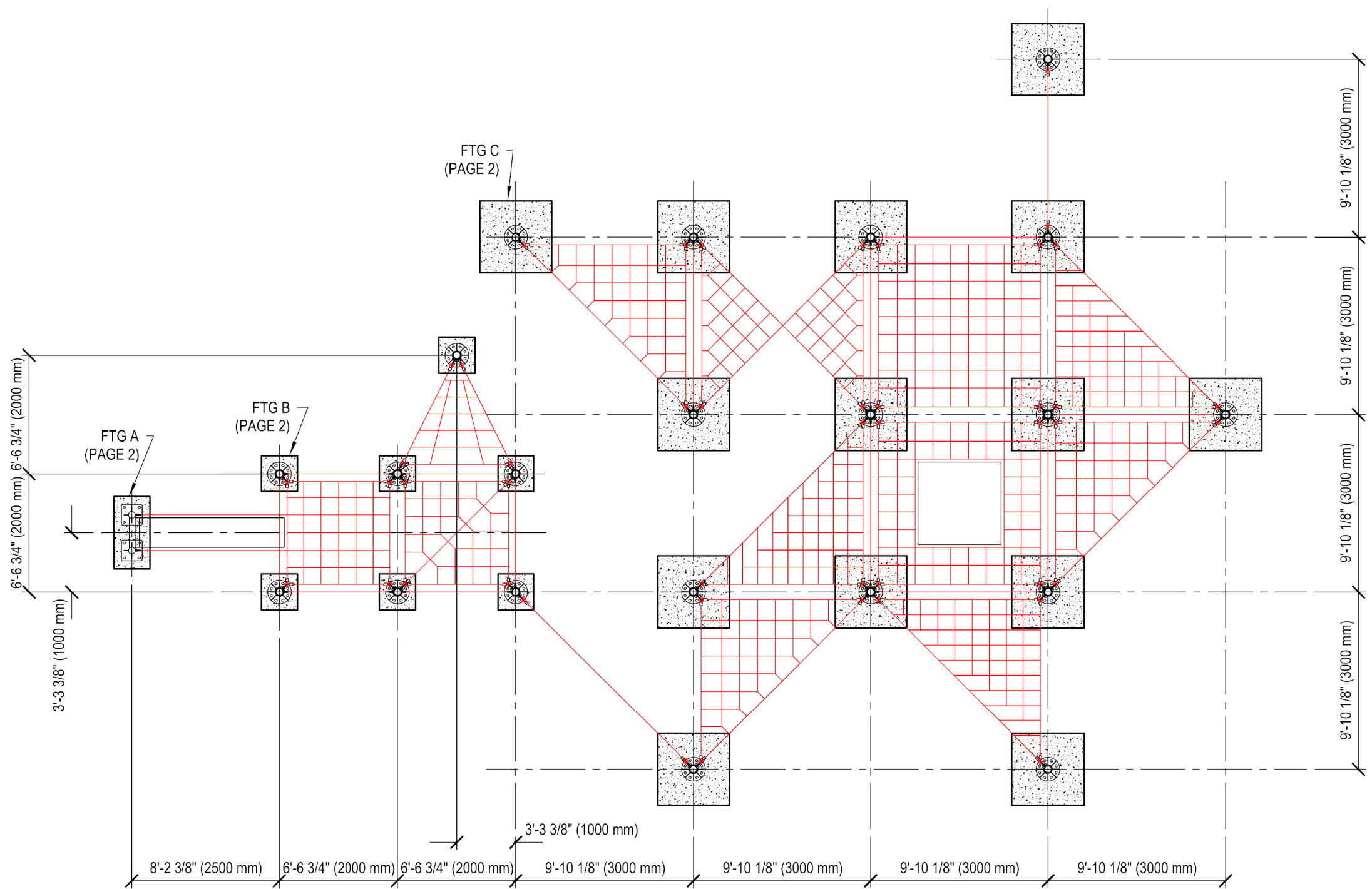
**General Notes:**

1. THE FOUNDATION IN THE DRAWING TO BE USED AS A MINIMUM GUIDELINE.
2. THE CONCRETE SHALL BE GRADE C25 (CHARACTERISTIC STRENGTH OF 3500 PSI AT 28 DAYS) MINIMUM.
3. THE FOUNDATION SHALL BE PLACED ON FIRM, UNDISTURBED SOIL SURFACE. WHEREVER EXCAVATION OCCURS BELOW THE DESIGNED FOUNDATION LEVEL, WELL COMPACTED BACK FILL OR LEAN CONCRETE SHALL BE USED FOR LEVELING.
4. BACKFILLING FOR FOUNDATION SHALL BE PLACED EVENLY IN LAYERS OF 6" (150mm) THICKNESS AND SHALL BE WELL COMPACTED.
5. THE FOUNDATION DESIGN IS SUITABLE FOR SOIL WITH A BEARING CAPACITY OF 1600 PSF (80 KPA) AND ABOVE.
6. THE FOUNDATION DESIGN IS SUITABLE FOR SOIL WITH FROST LINE OF 4' (1200 MM) OR LESS.
7. SEE PAGE 2 FOR FOUNDATION SIZE DETAILS

DRAWING TITLE:  
**PLAYLAND FOUNDATION LAYOUT**

PRODUCT NO:  
**IM-1002**

	NAME	DATE
DESIGNER:		
DRAWN BY:	William McNair	2018-02-07
CHECKED BY:		
REVIEWED BY:		
APPROVED BY:		
SHEET SIZE:	PAGE NO:	SCALE:
PA3	1 of 2	NTS

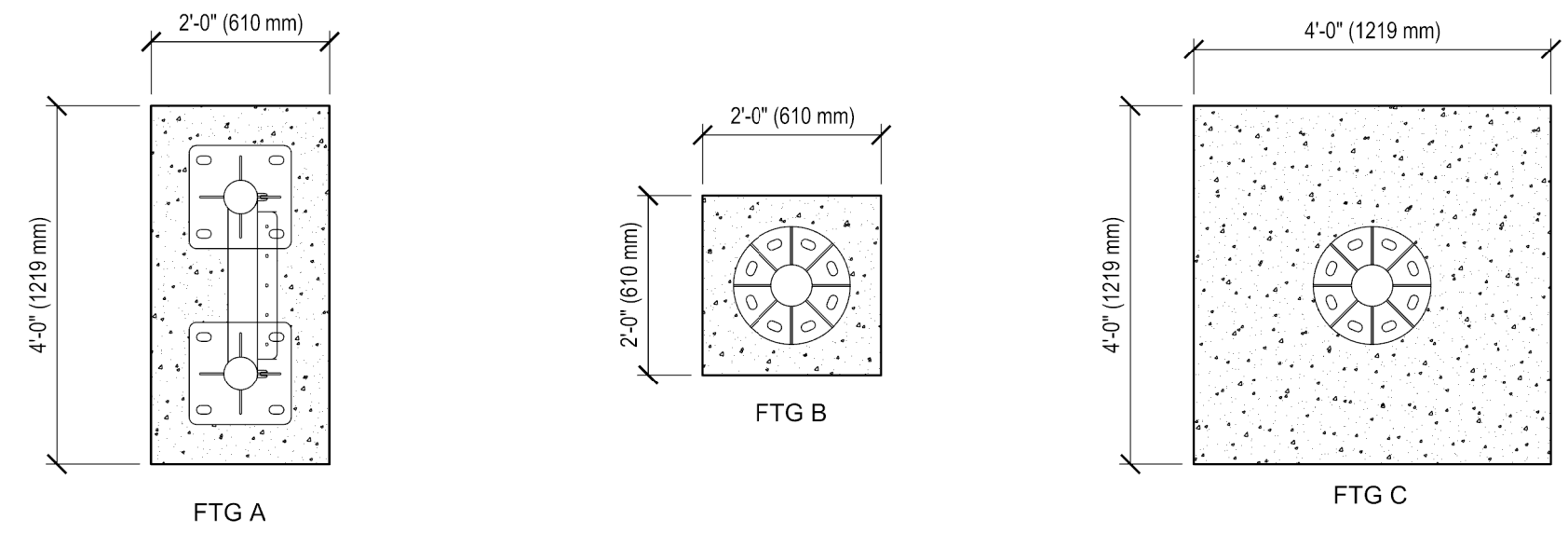


1 FOUNDATION LAYOUT

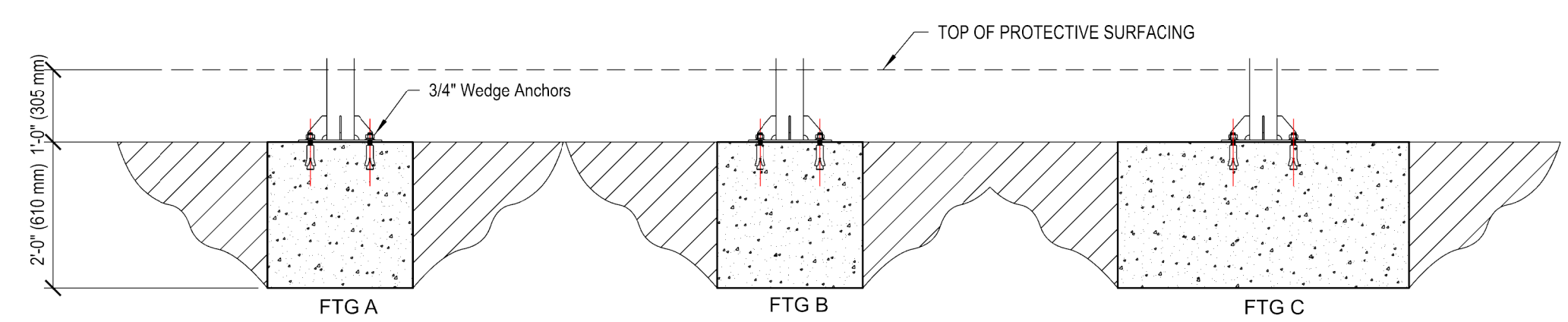
**DYNAMO**  
PLAYGROUNDS

www.dynamoplaygrounds.com  
info@dynamoplaygrounds.com  
Toll free: 800-790-0034  
Local: 613-446-0030  
Fax: 613-446-0034

REV. NO.	DESCRIPTION/REFERENCE	DATE
A	-FOOTING SIZES ADJUSTED	2018-02-08
B	-BASEPLATE CHANGED FROM RECTANGULAR TO CIRCULAR	2018-02-08



2 FOOTING DETAILS - PLAN VIEW



3 FOOTING DETAILS - ELEVATION VIEW

DRAWING TITLE:  
**PLAYLAND FOUNDATION LAYOUT**

PRODUCT NO:  
**IM-1002**

	NAME	DATE
DESIGNER:		
DRAWN BY:	William McNair	2018-02-07
CHECKED BY:		
REVIEWED BY:		
APPROVED BY:		
SHEET SIZE: PA3	PAGE NO: 2 of 2	SCALE: NTS

**DYNAMO**  
PLAYGROUNDS

[www.dynamoplaygrounds.com](http://www.dynamoplaygrounds.com)  
[info@dynamoplaygrounds.com](mailto:info@dynamoplaygrounds.com)  
 Toll free: 800-790-0034  
 Local: 613-446-0030  
 Fax: 613-446-0034