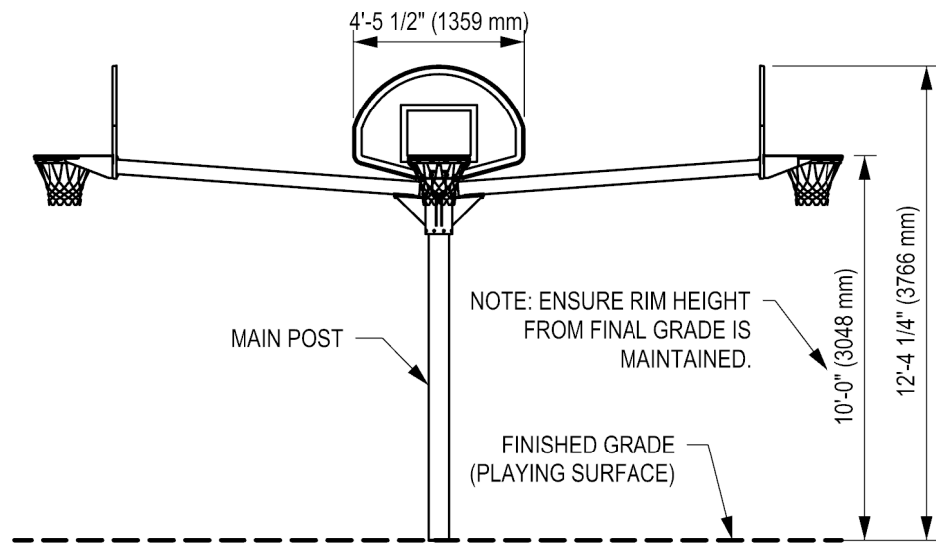
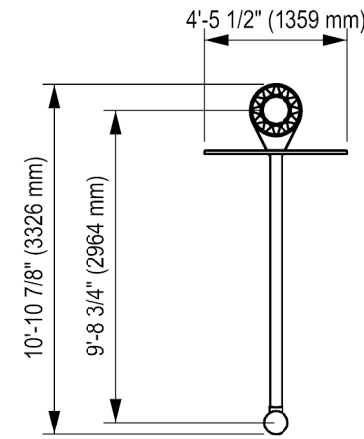


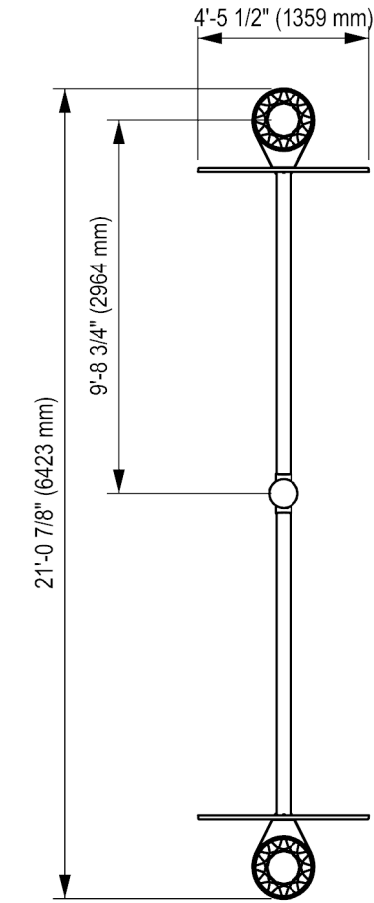
BASKETBALL NETS WITH HEAVYDUTY RIMS



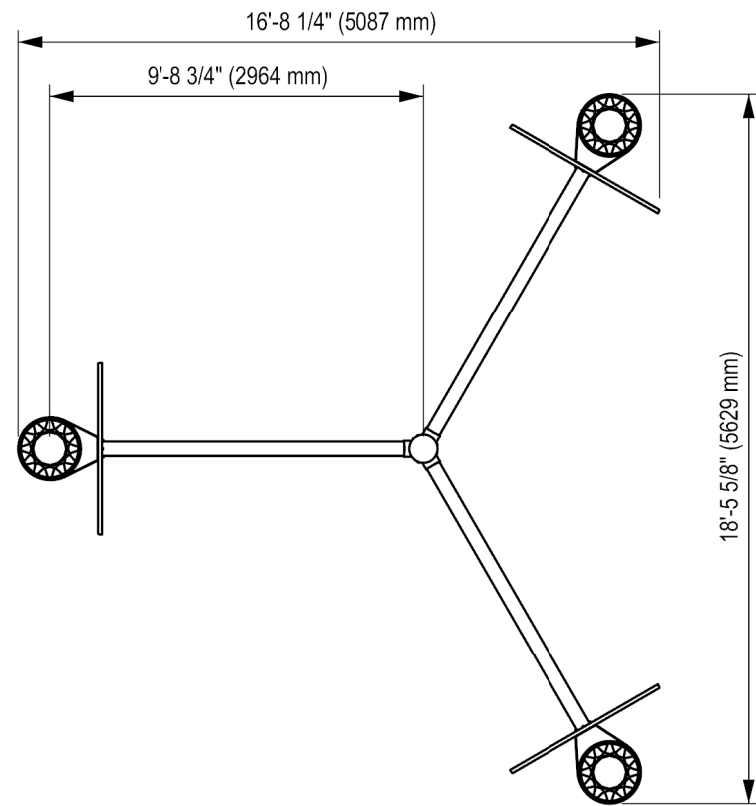
BASKETBALL NET WITH HD RIM ELEVATION VIEW



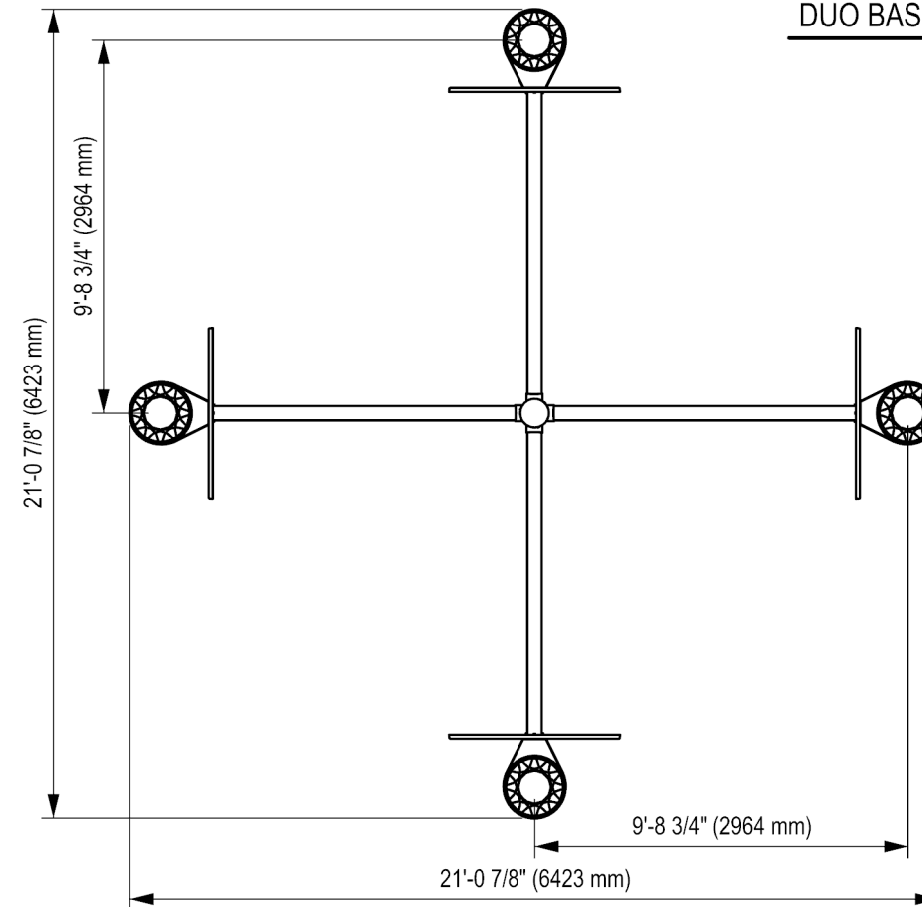
SINGLE BASKETBALL (DX-BB1) PLAN VIEW



DUO BASKETBALL (DX-BB2) PLAN VIEW



TRIO BASKETBALL (DX-BB3) PLAN VIEW



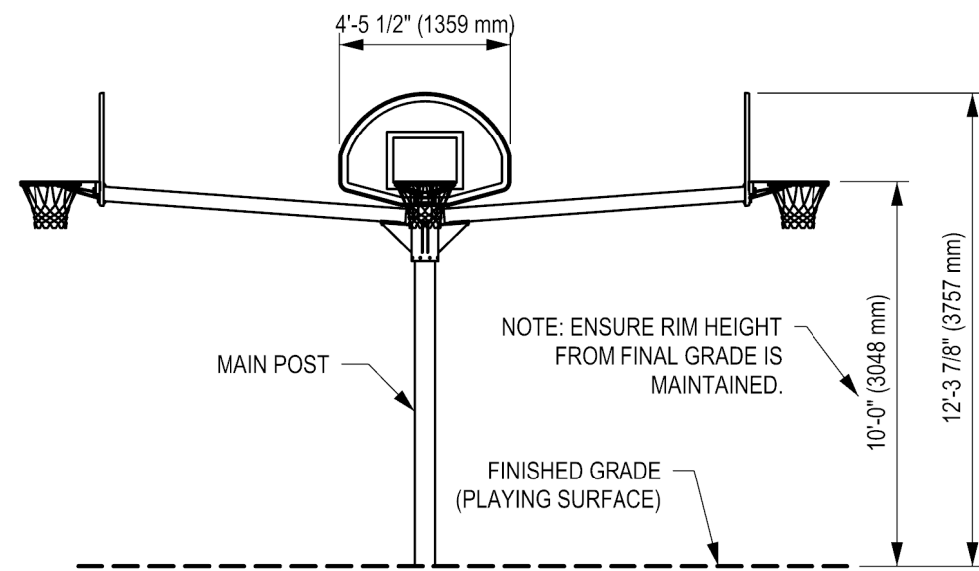
QUAD BASKETBALL (DX-BB4) PLAN VIEW

DOCUMENT No:		200-000-269			
REVISION HISTORY					
REV	DESCRIPTION	REF. No.	DATE	DRWN BY:	RWD BY:
0	DRAWING ORIGINALLY CREATED BY GRANT MCCORMICK	XX		GMc	
1	DRAWING REDRAWN DURING STANDARD PRODUCT UPDATE	WO# 1810D	2018-07-09	WMc	
CLIENT: STOCK					
PROJECT NAME: STOCK					
PRODUCT NO: DX-BB1, DX-BB2, DX-BB3, DX-BB4, DX-BB1-GAP, DX-BB2-GAP, DX-BB3-GAP, DX-BB4-GAP					
DRAWING TITLE: BASKETBALL SYSTEM LAYOUT DRAWING					
REV:	SHEET:	SHEET SIZE:	SCALE:		
1	1 OF 3	PA3	NTS		
DESIGNED BY:	G. McCormick	DATE:	2006-07-09		
DRAWN BY:	W. McNair	DATE:	2018-07-09		
CHECKED BY:		DATE:			
REVIEWED BY:		DATE:			
APPROVED BY:		DATE:			

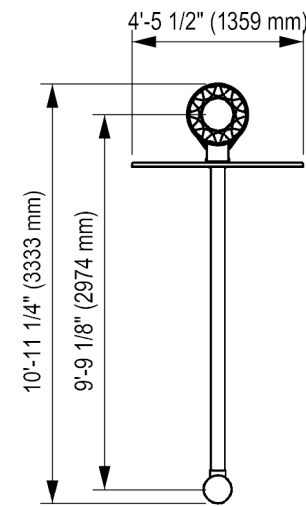
DYNAMO
PLAYGROUNDS

Local: 613-446-0030
Toll free: 800-790-0034
Email: info@dynamoplaygrounds.com
Fax: 613-446-0034
URL: www.dynamoplaygrounds.com

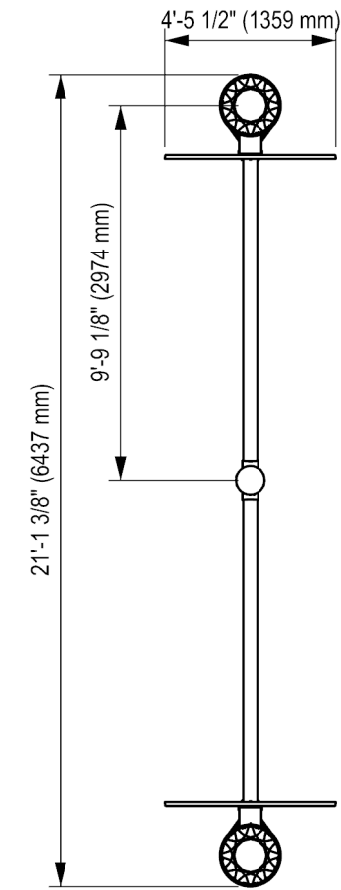
BASKETBALL NETS WITH GOAL ADAPTER PLATES



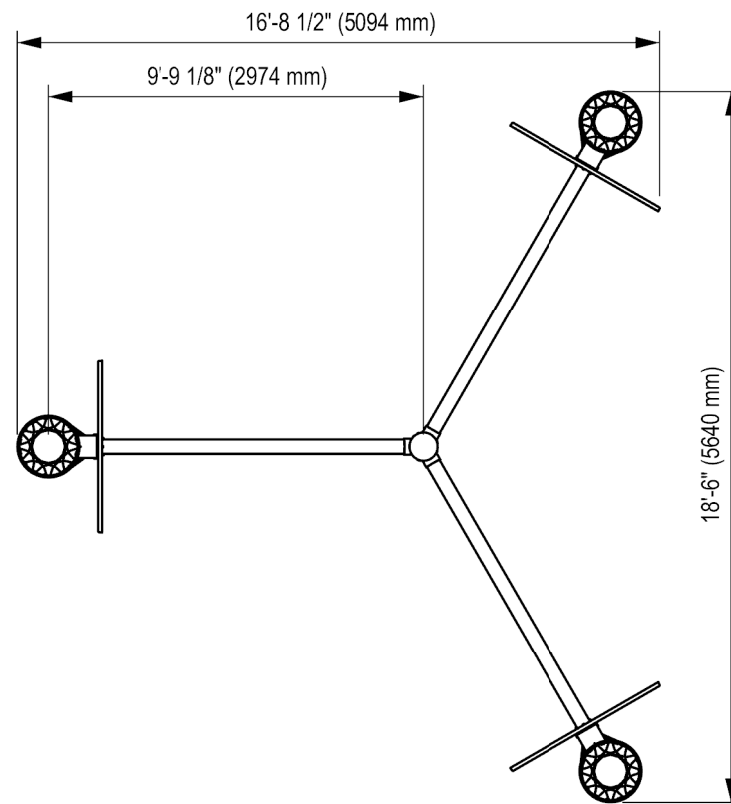
BASKETBALL NET WITH GOAL ADAPTER PLATE ELEVATION VIEW



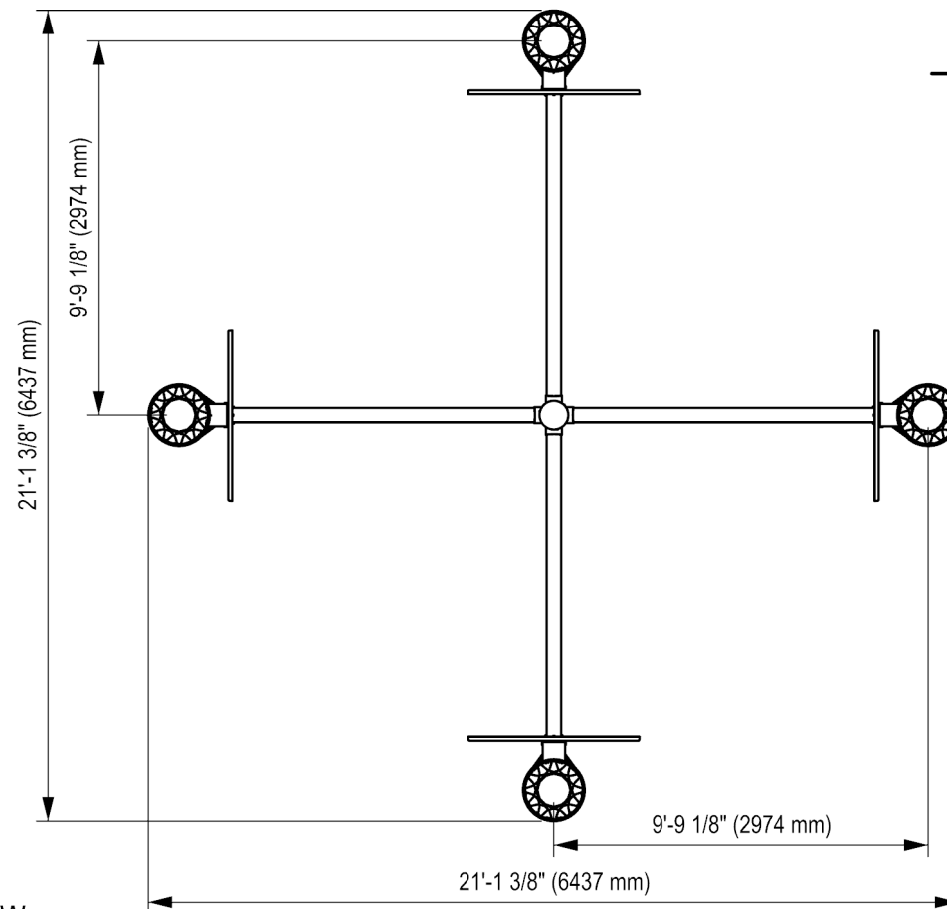
SINGLE BASKETBALL W/GOAL ADAPTER PLATE (DX-BB1-GAP) PLAN VIEW



DUO BASKETBALL W/GOAL ADAPTER PLATE (DX-BB2-GAP) PLAN VIEW



TRIO BASKETBALL W/GOAL ADAPTER PLATE (DX-BB3-GAP) PLAN VIEW



QUAD BASKETBALL W/GOAL ADAPTER PLATE (DX-BB4-GAP) PLAN VIEW

DOCUMENT No:		200-000-269			
REVISION HISTORY					
REV	DESCRIPTION	REF. No.	DATE	DRWN BY:	RWD BY:
0	DRAWING ORIGINALLY CREATED BY GRANT MCCORMICK	XX		GMc	
1	DRAWING REDRAWN DURING STANDARD PRODUCT UPDATE	WO# 1810D	2018-07-09	WMc	

CLIENT:	STOCK
PROJECT NAME:	STOCK
PRODUCT NO:	DX-BB1, DX-BB2, DX-BB3, DX-BB4, DX-BB1-GAP, DX-BB2-GAP, DX-BB3-GAP, DX-BB4-GAP

DRAWING TITLE:
BASKETBALL SYSTEM LAYOUT DRAWING

REV:	SHEET:	SHEET SIZE:	SCALE:
1	2 OF 3	PA3	NTS
DESIGNED BY:	G. McCormick	DATE:	2006-07-09
DRAWN BY:	W. McNair	DATE:	2018-07-09
CHECKED BY:		DATE:	
REVIEWED BY:		DATE:	
APPROVED BY:		DATE:	

DYNAMO
PLAYGROUNDS

Local: 613-446-0030
Toll free: 800-790-0034
Email: info@dynamoplaygrounds.com
Fax: 613-446-0034
URL: www.dynamoplaygrounds.com

REVISION HISTORY					
REV	DESCRIPTION	REF. No.	DATE	DRWN BY:	RWD BY:
0	DRAWING ORIGINALLY CREATED BY GRANT MCCORMICK	XX		GMc	
1	DRAWING REDRAWN DURING STANDARD PRODUCT UPDATE	WO# 1810D	2018-07-09	WMc	

GENERAL NOTES:

1. THE FOUNDATION IN THE DRAWING TO BE USED AS A MINIMUM GUIDELINE. CHECK WITH LOCAL ENGINEERS
2. THE CONCRETE SHALL BE GRADE C25 (CHARACTERISTIC STRENGTH OF 3500 PSI AT 28 DAYS) MINIMUM.
3. THE FOUNDATION SHALL BE PLACED ON FIRM, UNDISTURBED SOIL SURFACE. WHEREVER EXCAVATION OCCURS BELOW THE DESIGNED FOUNDATION LEVEL, WELL COMPACTED BACK FILL OR LEAN CONCRETE SHALL BE USED FOR LEVELING.
4. BACKFILLING FOR FOUNDATION SHALL BE PLACED EVENLY IN 6" (150mm) LAYERS. LAYERS SHALL BE WELL COMPACTED.
5. THE FOUNDATION DESIGN IS SUITABLE FOR SOIL WITH A BEARING CAPACITY OF 1600 PSF (80 KPA) AND ABOVE.
6. THE FOUNDATION DESIGN IS SUITABLE FOR SOIL WITH FROST LINE OF 4' (1200 MM) OR LESS.

CLIENT: STOCK

PROJECT NAME: STOCK

PRODUCT NO:
DX-BB1, DX-BB2,
DX-BB3, DX-BB4,
DX-BB1-GAP, DX-BB2-GAP,
DX-BB3-GAP, DX-BB4-GAP

DRAWING TITLE:
**BASKETBALL SYSTEM
LAYOUT DRAWING**

REV: 1	SHEET: 3 OF 3	SHEET SIZE: PA3	SCALE: NTS
--------	---------------	-----------------	------------

DESIGNED BY: G. McCormick DATE: 2006-07-09

DRAWN BY: W. McNair DATE: 2018-07-09

CHECKED BY: DATE:

REVIEWED BY: DATE:

APPROVED BY: DATE:

DYNAMO
PLAYGROUNDS

Local: 613-446-0030
Toll free: 800-790-0034
Email: info@dynamoplaygrounds.com
Fax: 613-446-0034
URL: www.dynamoplaygrounds.com

