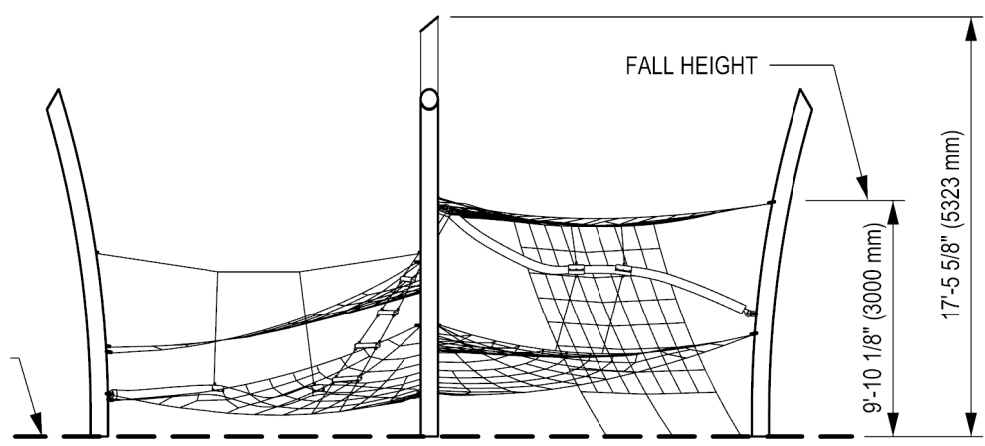


CSA USE ZONE - PLAN VIEW



ELEVATION VIEW

DOCUMENT No: 200-000-803

REVISION HISTORY					
REV	DESCRIPTION	REF. No.	DATE	DRWN BY:	RWD BY:
0	Initial Release	WO# 2088D	2019-04-06	JC	
1	Drawing modified for Rep Net Updates		2016-07-29	BC	
2	Title block updated. Plan view rotated 45°. Elevation view added.	WO# 2088D	2019-04-04	WM	

ENGINEERING SEAL:

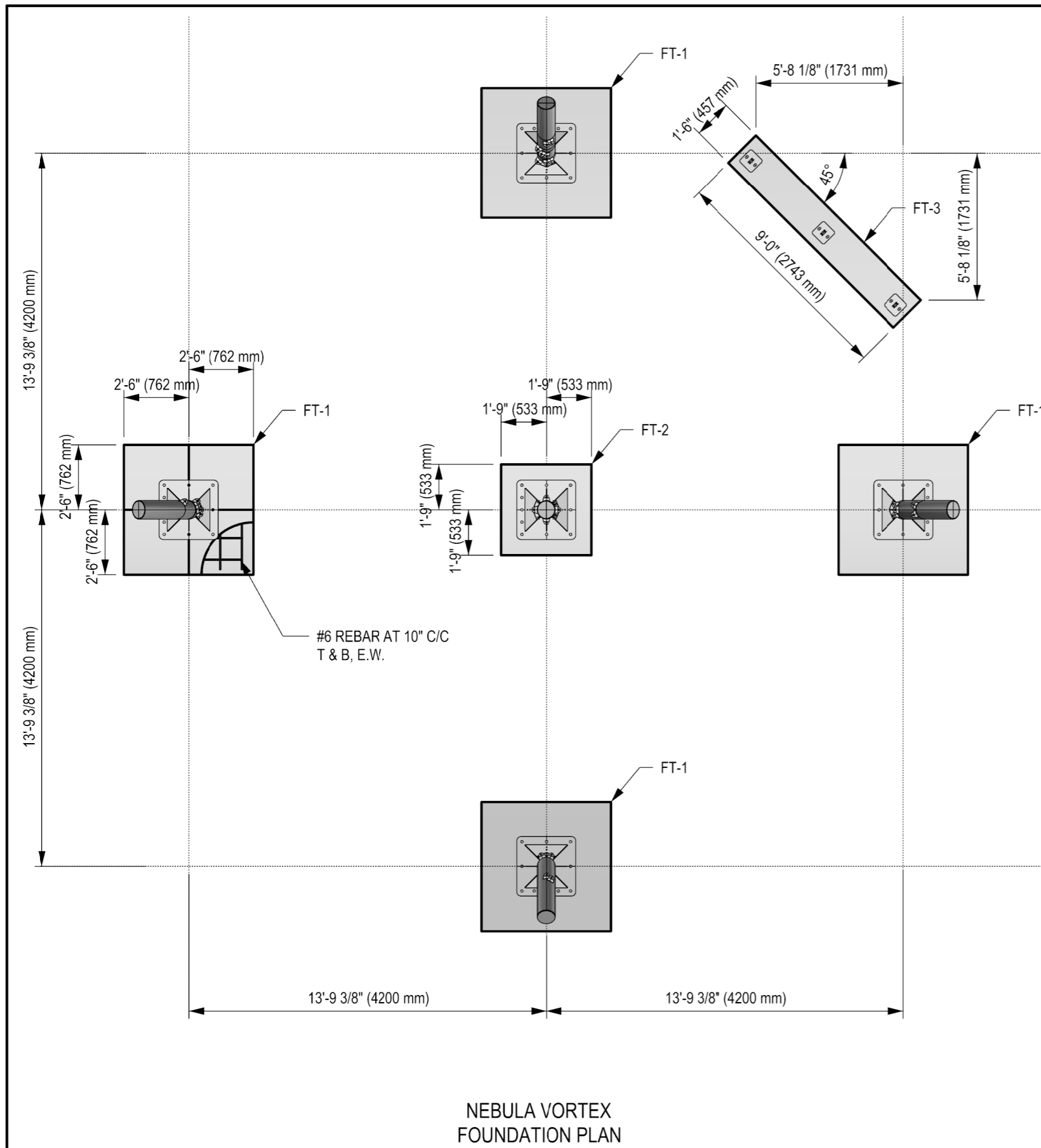
CLIENT: STOCK  
 PROJECT NAME: STOCK  
 PRODUCT NO: DX-933

DRAWING TITLE:  
**NEBULA VORTEX CSA  
 USE ZONE DRAWING**

REV: 2	SHEET: 1 OF 1	SHEET SIZE: PA3	SCALE: NTS
DESIGNED BY:	DATE:		
DRAWN BY: J. CARRUTHERS	DATE: 2016-04-06		
CHECKED BY:	DATE:		
REVIEWED BY:	DATE:		
APPROVED BY:	DATE:		

**DYNAMO**  
PLAYGROUNDS

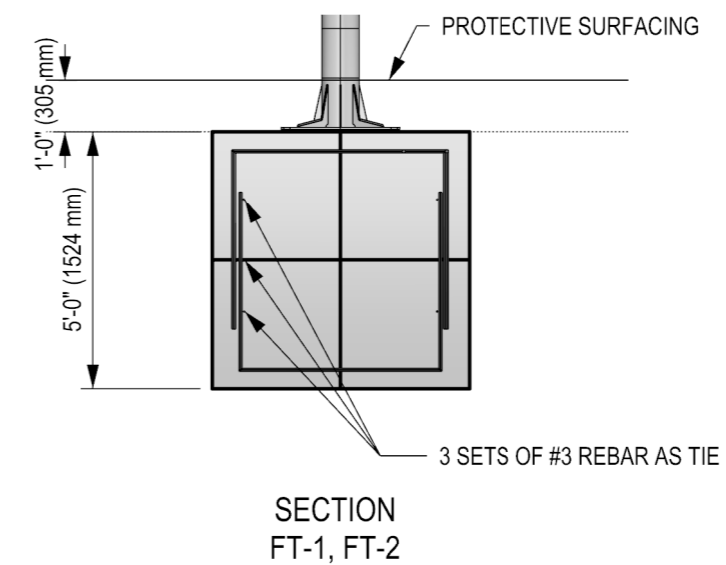
Local: 613-446-0030  
 Toll free: 800-790-0034  
 Email: info@dynamoplaygrounds.com  
 Fax: 613-446-0034  
 URL: www.dynamoplaygrounds.com



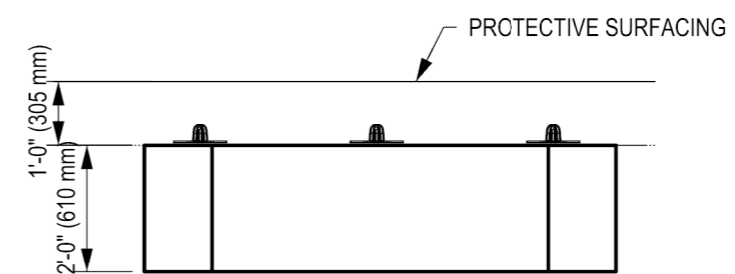
NEBULA VORTEX  
FOUNDATION PLAN

GENERAL NOTES:

1. THE FOUNDATION IN THE DRAWING TO BE USED AS A MINIMUM GUIDELINE. CHECK WITH LOCAL ENGINEERS
2. THE CONCRETE SHALL BE GRADE C25 (CHARACTERISTIC STRENGTH OF 25MPa AT 28 DAYS) MINIMUM.
3. THE FOUNDATION SHALL BE PLACED ON FIRM UNDISTURBED SOIL SURFACE, SHALL BE CONFIRMED BY SITE TECHNICIAN AFTER EXCAVATION. WHEREVER EXCAVATION OCCURS BELOW THE DESIGNED FOUNDATION LEVEL WELL COMPACTED BACK FILL OR LEAN CONCRETE SHALL BE USED FOR LEVELING.
4. BACKFILLING FOR FOUNDATION SHALL BE PLACED EVENLY IN LAYERS OF 6" (150mm) THICKNESS AND SHALL BE WELL COMPACTED.
5. THE FOUNDATION DESIGN IS SUITABLE FOR SOIL WITH A BEARING CAPACITY OF 3100 PSF (150 KPA) AND ABOVE.
6. THE FOUNDATION DESIGN IS SUITABLE FOR SOIL WITH FROST LINE OF 4' (1200 MM) OR LESS



SECTION  
FT-1, FT-2



ELEVATION FT-3

DOCUMENT No: 200-000-326

REVISION HISTORY					
REV	DESCRIPTION	REF. No.	DATE	DRWN BY:	RWD BY:
0	Initial Release	-	19-03-19	JZ	

CLIENT:	STOCK
PROJECT NAME:	STOCK
PRODUCT NO:	DX-933

DRAWING TITLE:  
**NEBULA VORTEX  
FOUNDATION DRAWING**

REV:	SHEET:	SHEET SIZE:	SCALE:
0	1 OF 1	PA3	NTS

DESIGNED BY:	J. ZHAI	DATE:	2019-03-19
DRAWN BY:	J. ZHAI	DATE:	2019-03-19
CHECKED BY:	W.MCNAIR	DATE:	2019-04-01
APPROVED BY:		DATE:	
REVIEWED BY:		DATE:	

**DYNAMO**  
PLAYGROUNDS

Local: 613-446-0030  
Toll free: 800-790-0034  
Email: info@dynamoplaygrounds.com  
Fax: 613-446-0034  
URL: www.dynamoplaygrounds.com