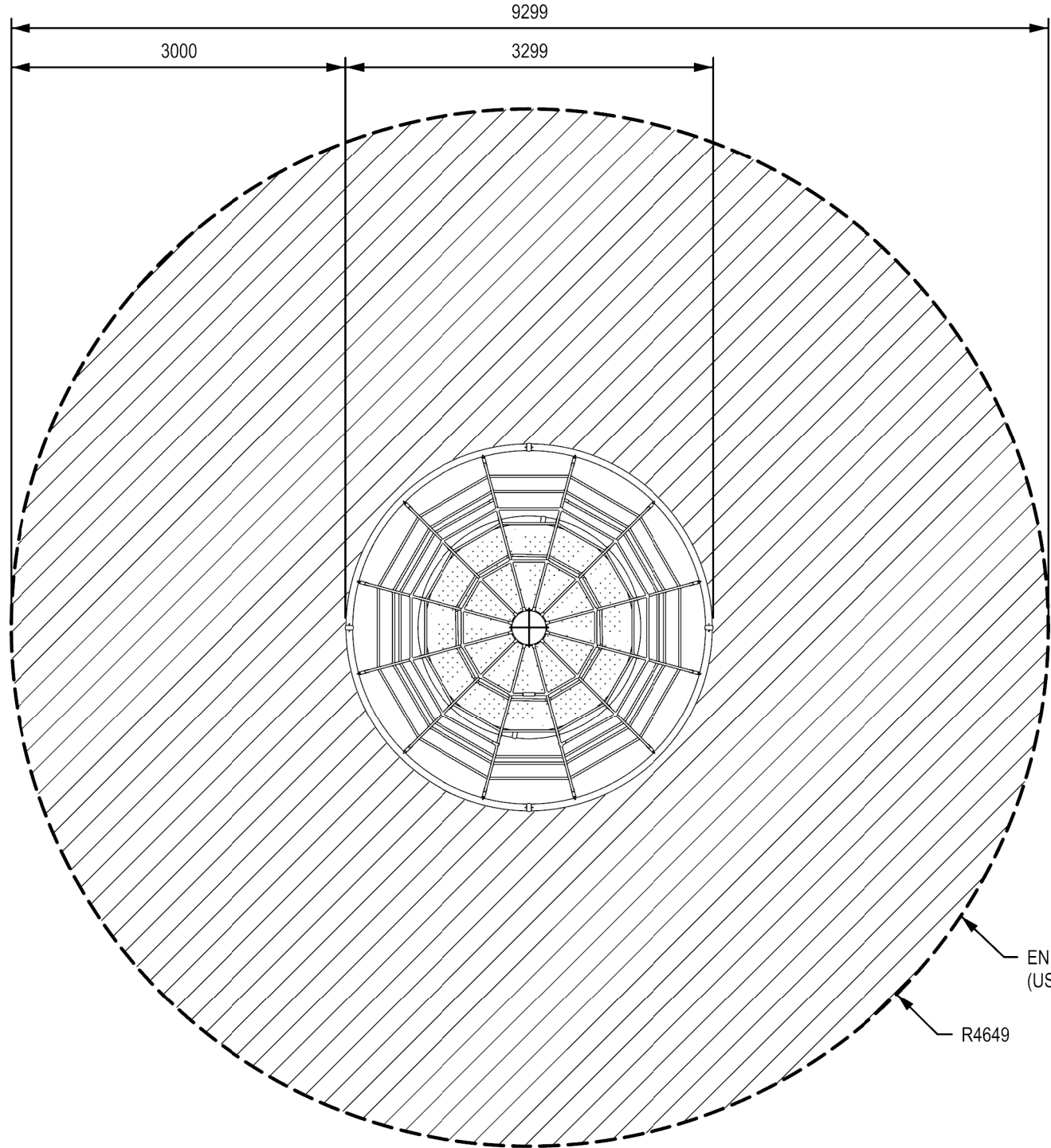


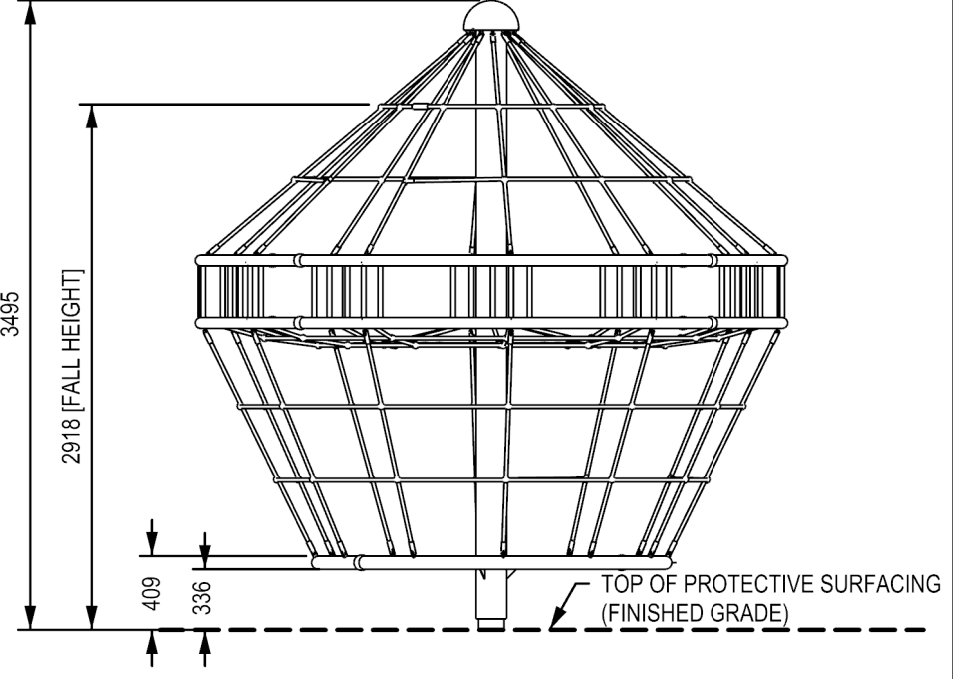
NOTE: ALL DIMENSIONS ARE IN MILLIMETRES UNLESS OTHERWISE NOTED.

DOCUMENT No: 200-000-210

| REVISION HISTORY |                 |                 |            |          |         |
|------------------|-----------------|-----------------|------------|----------|---------|
| REV              | DESCRIPTION     | REF. No.        | DATE       | DRWN BY: | RWD BY: |
| 0                | Initial Release | 1788D/<br>1784D | 2018-09-19 | WMc      |         |



EN FREE SPACE (USE ZONE) - PLAN VIEW



ELEVATION VIEW

|               |           |
|---------------|-----------|
| CLIENT:       | STOCK     |
| PROJECT NAME: | STOCK     |
| PRODUCT NO:   | DX-2300-F |

DRAWING TITLE:  
**ASTRO W/FLOOR EN  
FREE SPACE (USE ZONE)  
DRAWING**

|              |                |             |            |
|--------------|----------------|-------------|------------|
| REV:         | SHEET:         | SHEET SIZE: | SCALE:     |
| 0            | 1 OF 1         | PA3         | NTS        |
| DESIGNED BY: | WILLIAM MCNAIR | DATE:       | 2018-04-23 |
| DRAWN BY:    | WILLIAM MCNAIR | DATE:       | 2018-09-19 |
| CHECKED BY:  |                | DATE:       |            |
| CHECKED BY:  |                | DATE:       |            |
| REVIEWED BY: |                | DATE:       |            |

**DYNAMO**  
PLAYGROUNDS

Local: 613-446-0030  
Toll free: 800-790-0034  
Email: info@dynamoplaygrounds.com  
Fax: 613-446-0034  
URL: www.dynamoplaygrounds.com

| REVISION HISTORY |                 |          |      |          |         |
|------------------|-----------------|----------|------|----------|---------|
| REV              | DESCRIPTION     | REF. No. | DATE | DRWN BY: | RWD BY: |
| 0                | Initial Release | -        | -    | -        | -       |

**GENERAL NOTES:**

1. THE FOUNDATION IN THE DRAWING TO BE USED AS A MINIMUM GUIDELINE.
2. THE CONCRETE SHALL BE GRADE C25 (CHARACTERISTIC STRENGTH OF 3500 PSI AT 28 DAYS) MINIMUM.
3. THE FOUNDATION SHALL BE PLACED ON FIRM, UNDISTURBED SOIL SURFACE. WHEREVER EXCAVATION OCCURS BELOW THE DESIGNED FOUNDATION LEVEL, WELL COMPACTED BACK FILL OR LEAN CONCRETE SHALL BE USED FOR LEVELING.
4. BACKFILLING FOR FOUNDATION SHALL BE PLACED EVENLY IN 6" (150mm) LAYERS. LAYERS SHALL BE WELL COMPACTED.
5. THE FOUNDATION DESIGN IS SUITABLE FOR SOIL WITH A BEARING CAPACITY OF 1600 PSF (80 KPA) AND ABOVE.
6. THE FOUNDATION DESIGN IS SUITABLE FOR SOIL WITH FROST LINE OF 4' (1200 MM) OR LESS.

ENGINEERING SEAL:

CLIENT: STOCK  
 PROJECT NAME: STOCK  
 PRODUCT NO: DX-2300-F

DRAWING TITLE:  
**ASTRO W/FLOOR FOOTING DRAWING**

|        |               |                 |            |
|--------|---------------|-----------------|------------|
| REV: 0 | SHEET: 1 OF 1 | SHEET SIZE: PA3 | SCALE: NTS |
|--------|---------------|-----------------|------------|

DESIGNED BY: JASON ZHAI DATE: 2017-12-19

DRAWN BY: WILLIAM MCNAIR DATE: 2018-04-17

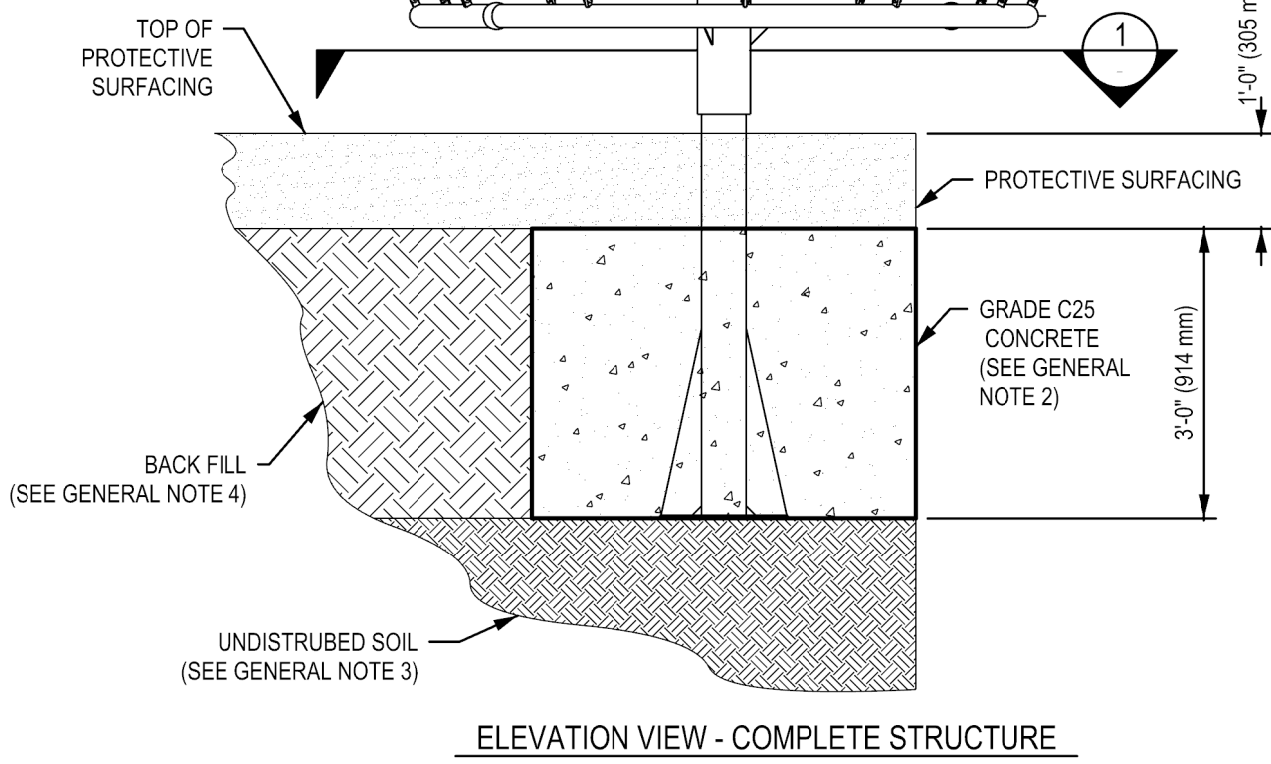
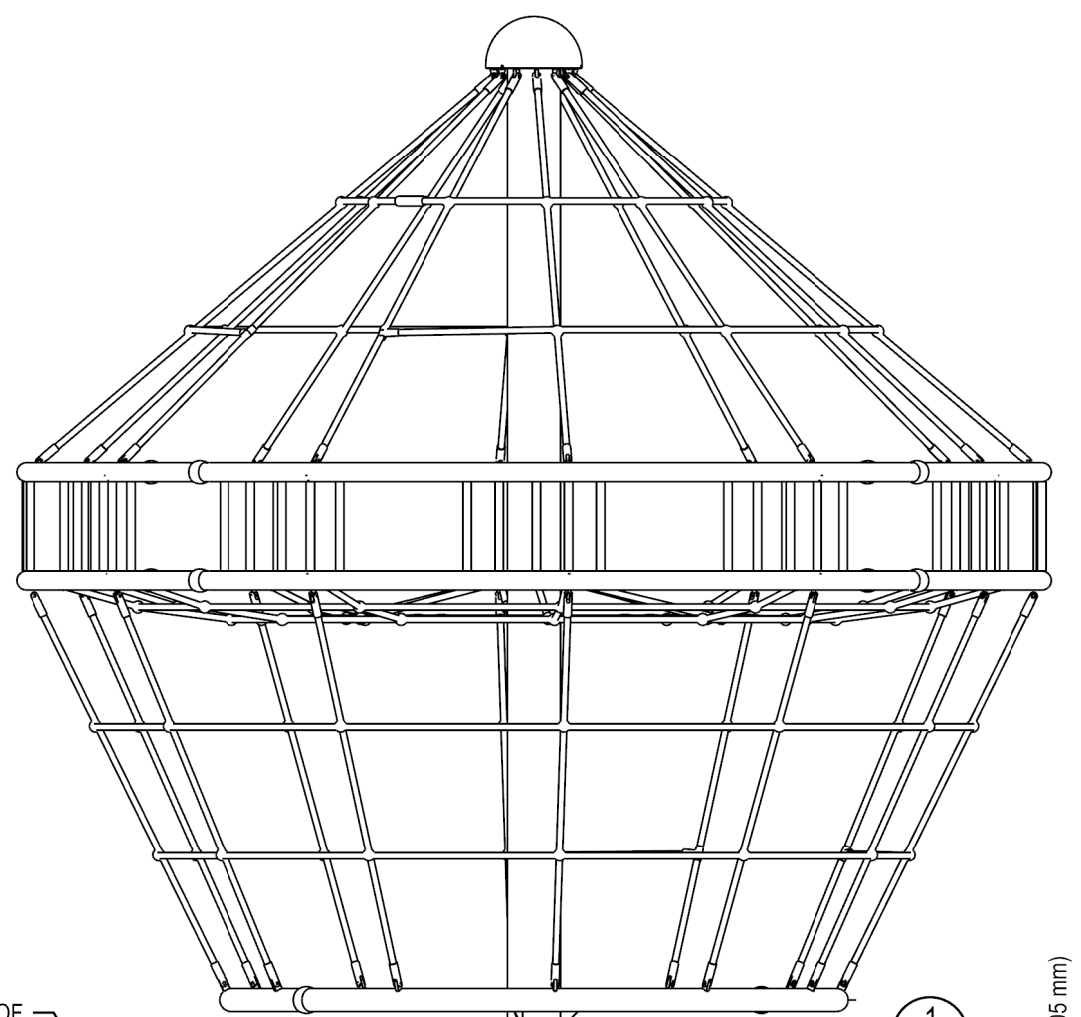
CHECKED BY: DATE:

CHECKED BY: JASON ZHAI DATE: 2018-04-19

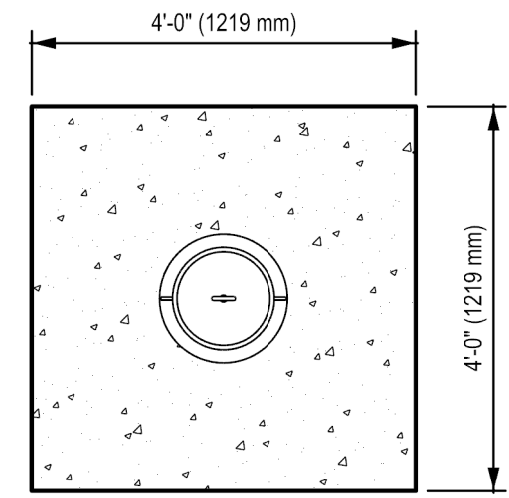
REVIEWED BY: DATE:

**DYNAMO**  
PLAYGROUNDS

Local: 613-446-0030  
 Toll free: 800-790-0034  
 Email: info@dynamoplaygrounds.com  
 Fax: 613-446-0034  
 URL: www.dynamoplaygrounds.com



ELEVATION VIEW - COMPLETE STRUCTURE



1 PLAN VIEW - POST ONLY