

ASTM USE ZONE - PLAN VIEW

ELEVATION VIEW

DOCUMENT No:		200-000-208			
REVISION HISTORY					
REV	DESCRIPTION	REF. No.	DATE	DRWN BY:	RWD BY:
0	Initial Release	1788D/ 1784D	-	-	-
1	Non-overlapping zone added. Dimensions taken from outside the delrin connector	xx	2018-09-19	WMc	-

ENGINEERING SEAL:

CLIENT: STOCK
 PROJECT NAME: STOCK
 PRODUCT NO: DX-2300-F

DRAWING TITLE:
**ASTRO W/FLOOR ASTM
 USE ZONE (SAFETY AREA)
 DRAWING**

REV: 1	SHEET: 1 OF 1	SHEET SIZE: PA3	SCALE: NTS
DESIGNED BY: WILLIAM MCNAIR	DATE: 2018-04-23		
DRAWN BY: WILLIAM MCNAIR	DATE: 2018-04-23		
CHECKED BY:	DATE:		
REVIEWED BY:	DATE:		
APPROVED BY:	DATE:		

DYNAMO
PLAYGROUNDS



Local: 613-446-0030
 Toll free: 800-790-0034
 Email: info@dynamoplaygrounds.com
 Fax: 613-446-0034
 URL: www.dynamoplaygrounds.com

REVISION HISTORY					
REV	DESCRIPTION	REF. No.	DATE	DRWN BY:	RWD BY:
0	Initial Release	-	-	-	-

GENERAL NOTES:

1. THE FOUNDATION IN THE DRAWING TO BE USED AS A MINIMUM GUIDELINE.
2. THE CONCRETE SHALL BE GRADE C25 (CHARACTERISTIC STRENGTH OF 3500 PSI AT 28 DAYS) MINIMUM.
3. THE FOUNDATION SHALL BE PLACED ON FIRM, UNDISTURBED SOIL SURFACE. WHEREVER EXCAVATION OCCURS BELOW THE DESIGNED FOUNDATION LEVEL, WELL COMPACTED BACK FILL OR LEAN CONCRETE SHALL BE USED FOR LEVELING.
4. BACKFILLING FOR FOUNDATION SHALL BE PLACED EVENLY IN 6" (150mm) LAYERS. LAYERS SHALL BE WELL COMPACTED.
5. THE FOUNDATION DESIGN IS SUITABLE FOR SOIL WITH A BEARING CAPACITY OF 1600 PSF (80 KPA) AND ABOVE.
6. THE FOUNDATION DESIGN IS SUITABLE FOR SOIL WITH FROST LINE OF 4' (1200 MM) OR LESS.

ENGINEERING SEAL:

CLIENT: STOCK
 PROJECT NAME: STOCK
 PRODUCT NO: DX-2300-F

DRAWING TITLE:
ASTRO W/FLOOR FOOTING DRAWING

REV: 0	SHEET: 1 OF 1	SHEET SIZE: PA3	SCALE: NTS
--------	---------------	-----------------	------------

DESIGNED BY: JASON ZHAI DATE: 2017-12-19

DRAWN BY: WILLIAM MCNAIR DATE: 2018-04-17

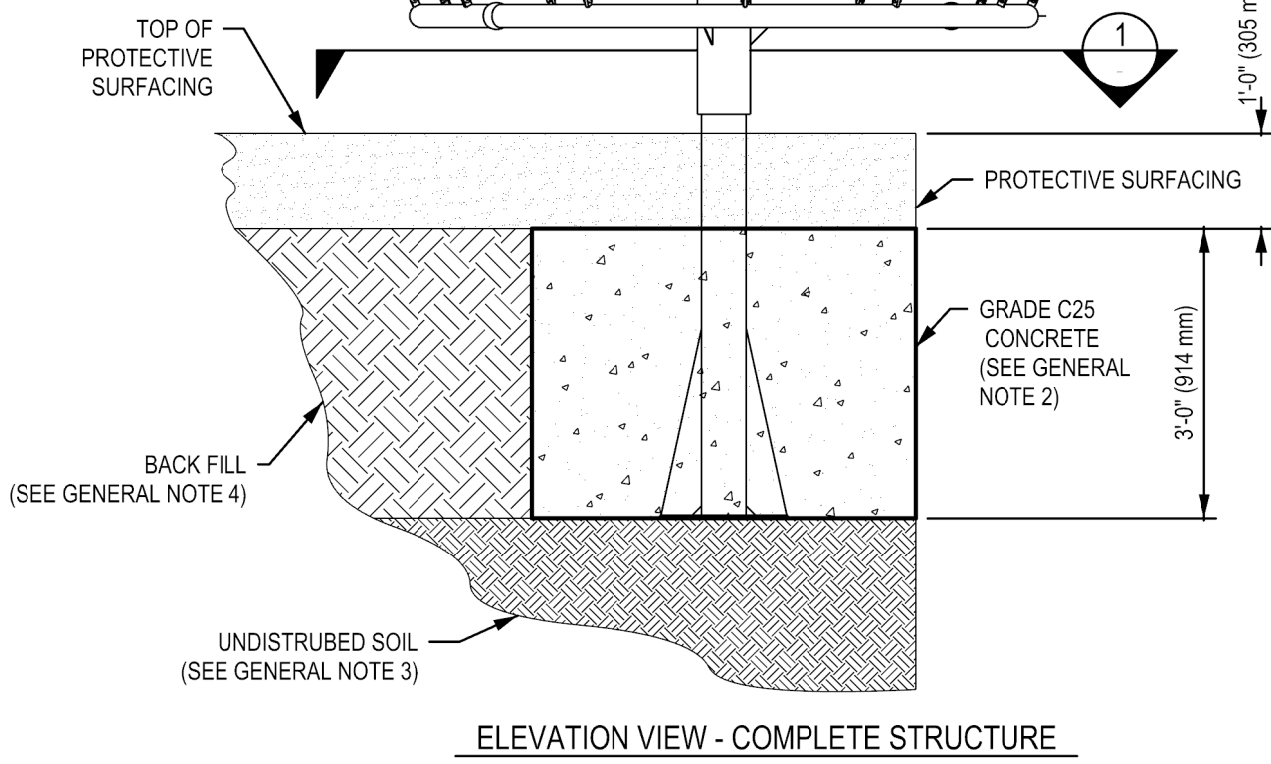
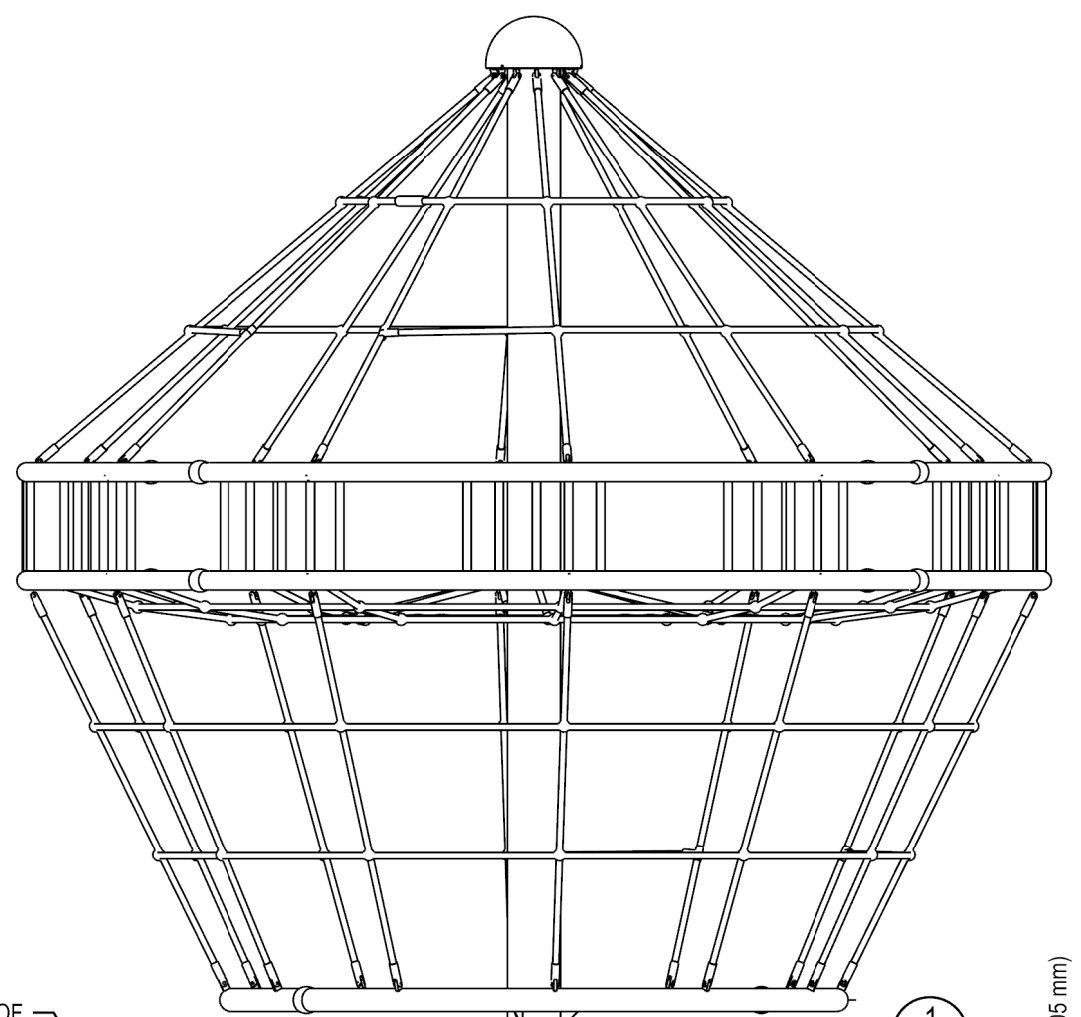
CHECKED BY: DATE:

CHECKED BY: JASON ZHAI DATE: 2018-04-19

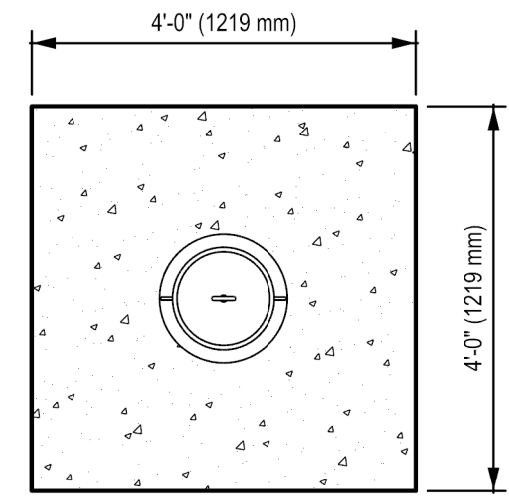
REVIEWED BY: DATE:

DYNAMO
PLAYGROUNDS

Local: 613-446-0030
 Toll free: 800-790-0034
 Email: info@dynamoplaygrounds.com
 Fax: 613-446-0034
 URL: www.dynamoplaygrounds.com



ELEVATION VIEW - COMPLETE STRUCTURE



1 PLAN VIEW - POST ONLY