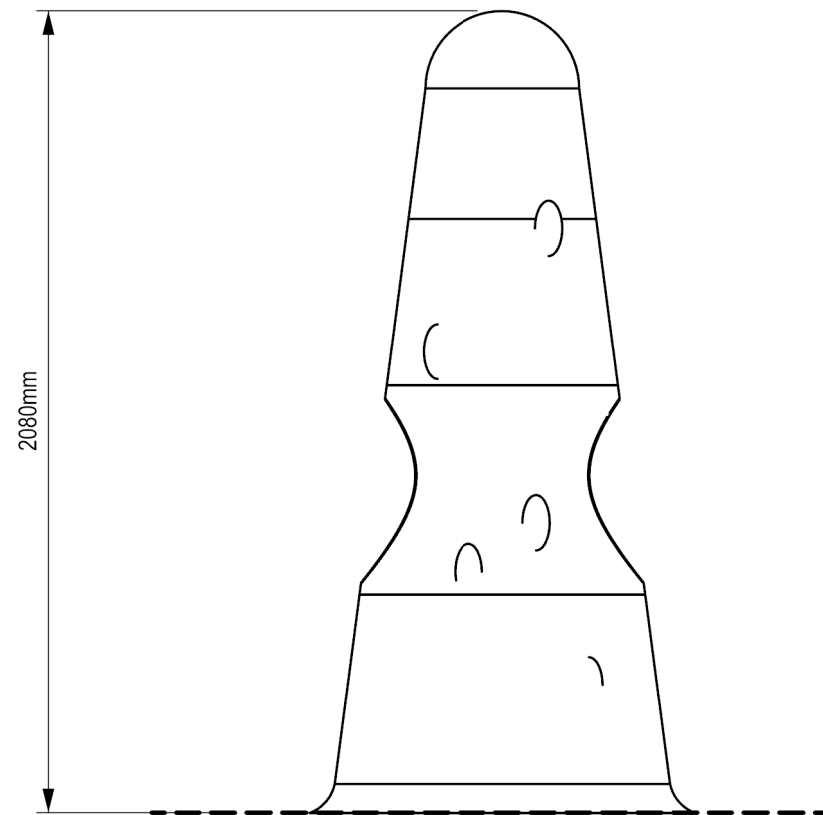


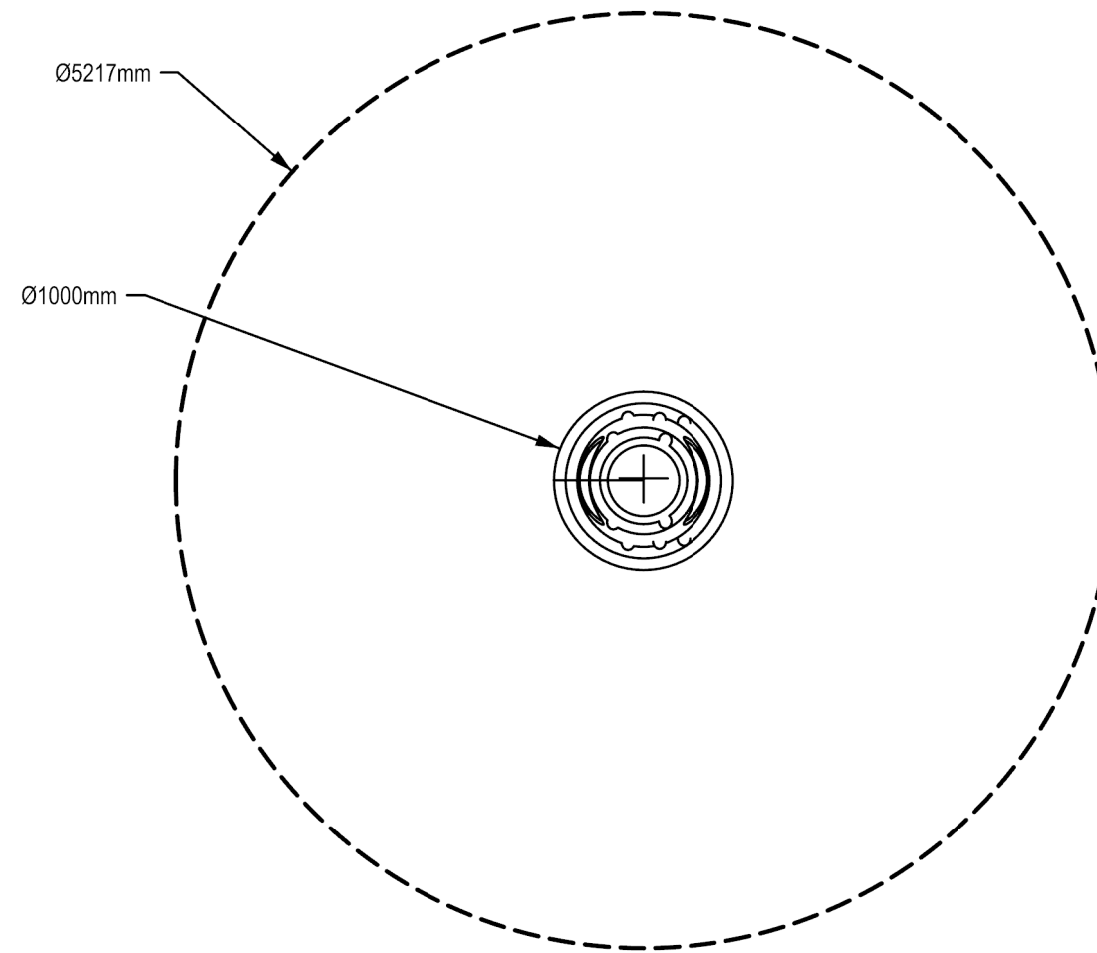
This layout document provides foundation details for the preferred unitary surfacing installation. Loose fill surfacing may be an option for this product. Please inquire to determine whether this is possible prior to specifying in a project.

DOCUMENT No: 200-001-182

REVISION HISTORY					
REV	DESCRIPTION	REF. No.	DATE	DRWN BY:	RWD BY:
0	Initial Release	WO# 873	2020-11-10	CF	WM



1 CONE CLIMBER ELEVATION VIEW



2 CONE CLIMBER EN USE ZONE

ENGINEERING SEAL:

CLIENT: STOCK

PROJECT NAME: STOCK

PRODUCT NO: SEE LIST

DRAWING TITLE:
CONE CLIMBER/ CONE TUNNELS/ CASTLE CLIMBER EN USE ZONE

REV: 0	SHEET: 1 OF 1	SHEET SIZE: PA3	SCALE: NTS
--------	---------------	-----------------	------------

DESIGNED BY: DATE:

DRAWN BY: C. FUNG DATE: 2020-11-10

CHECKED BY: W. MCNAIR DATE: 2020-01-12

REVIEWED BY: DATE:

APPROVED BY: DATE:

USE ZONE APPLIES TO THE FOLLOWING PRODUCTS:	
CPM-0049	CONE CLIMBER
CPM-0050	CONE TUNNELS
CPM-0051	CASTLE CLIMBER

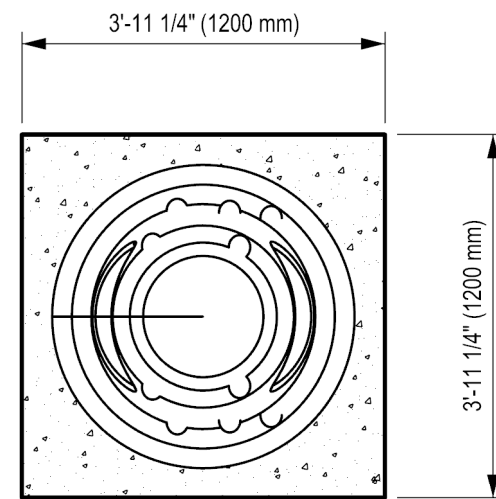


Local: 613-446-0030
 Toll free: 800-790-0034
 Email: info@dynamoplaygrounds.com

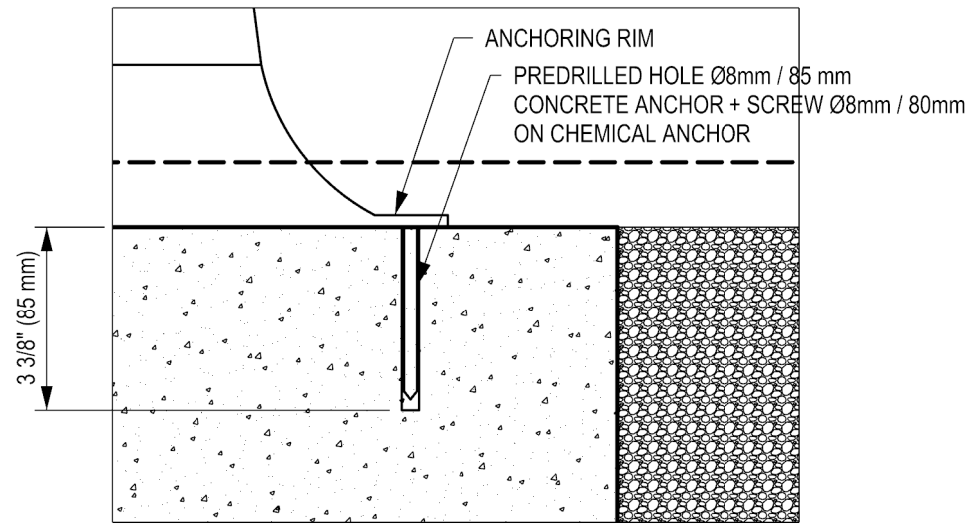
This layout document provides foundation details for the preferred unitary surfacing installation. Loose fill surfacing may be an option for this product. Please inquire to determine whether this is possible prior to specifying in a project.

GENERAL NOTES:

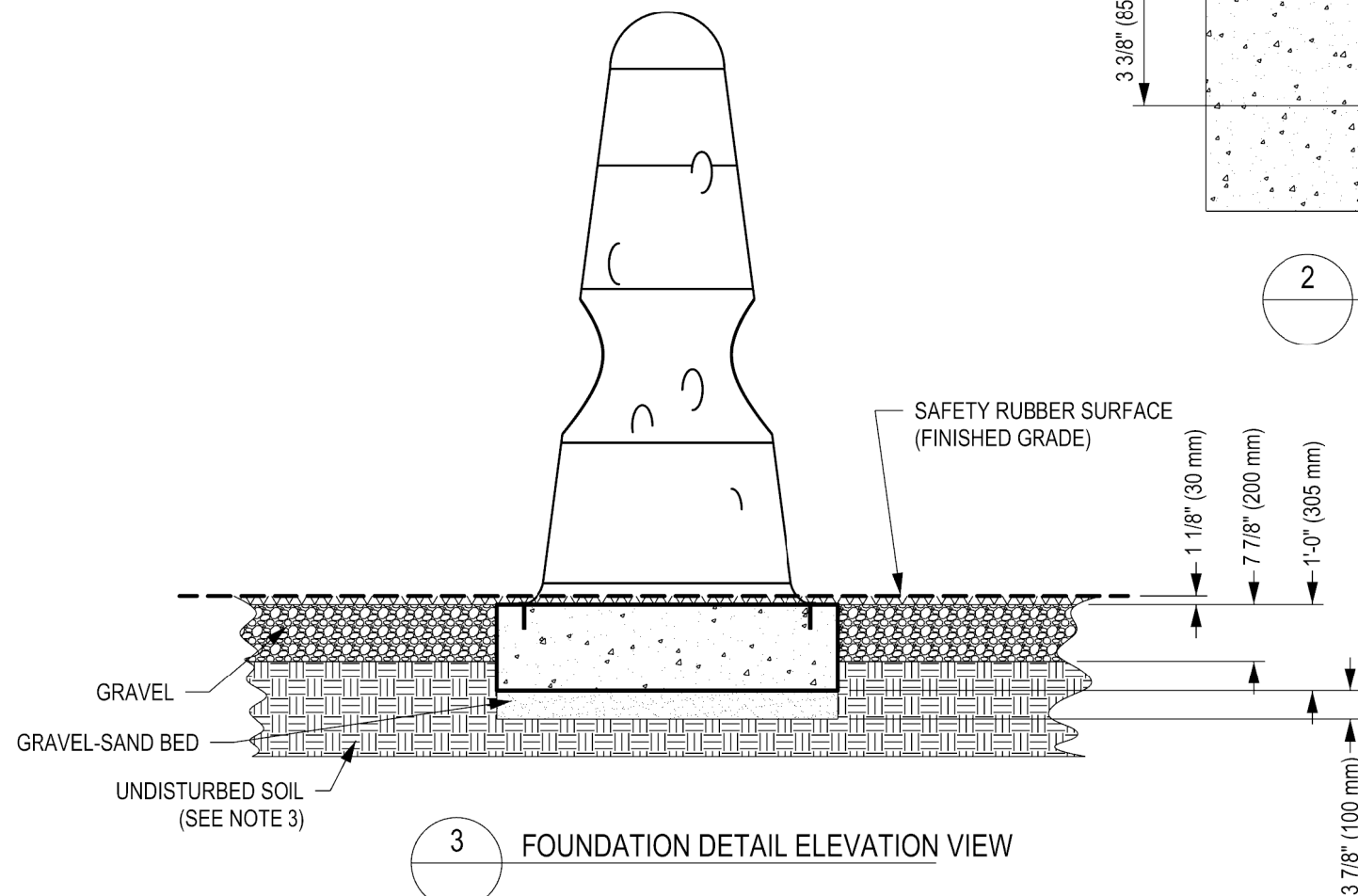
1. THE FOUNDATION IN THE DRAWING TO BE USED AS A MINIMUM GUIDELINE. CHECK WITH LOCAL ENGINEERS
2. THE CONCRETE SHALL BE GRADE C25 (CHARACTERISTIC STRENGTH OF 3500 PSI AT 28 DAYS) MINIMUM.
3. THE FOUNDATION SHALL BE PLACED ON FIRM, UNDISTURBED SOIL SURFACE. WHEREVER EXCAVATION OCCURS BELOW THE DESIGNED FOUNDATION LEVEL, WELL COMPACTED BACK FILL OR LEAN CONCRETE SHALL BE USED FOR LEVELING.
4. BACKFILLING FOR FOUNDATION SHALL BE PLACED EVENLY IN 6" (150mm) LAYERS. LAYERS SHALL BE WELL COMPACTED.



1 FOUNDATION DETAIL PLAN VIEW



2 ANCHORING DETAIL VIEW



3 FOUNDATION DETAIL ELEVATION VIEW

DOCUMENT No:	200-001-331				
REVISION HISTORY					
REV	DESCRIPTION	REF. No.	DATE	DRWN BY:	RWD BY:
0	Initial Release	WO# 873	2020-11-26	CF	WM

ENGINEERING SEAL:

CLIENT: STOCK
 PROJECT NAME: STOCK
 PRODUCT NO: SEE LIST

DRAWING TITLE:
CONE SERIES FOUNDATION DRAWING

REV:	SHEET:	SHEET SIZE:	SCALE:
0	1 OF 1	PA3	NTS
DESIGNED BY:	DATE:		
DRAWN BY:	DATE:		
CHECKED BY:	DATE:		
REVIEWED BY:	DATE:		
APPROVED BY:	DATE:		

FOUNDATION APPLIES TO THE FOLLOWING PRODUCTS:	
CPM-0049	CONE CLIMBER
CPM-0050	CONE TUNNELS
CPM-0051	CASTLE CLIMBER